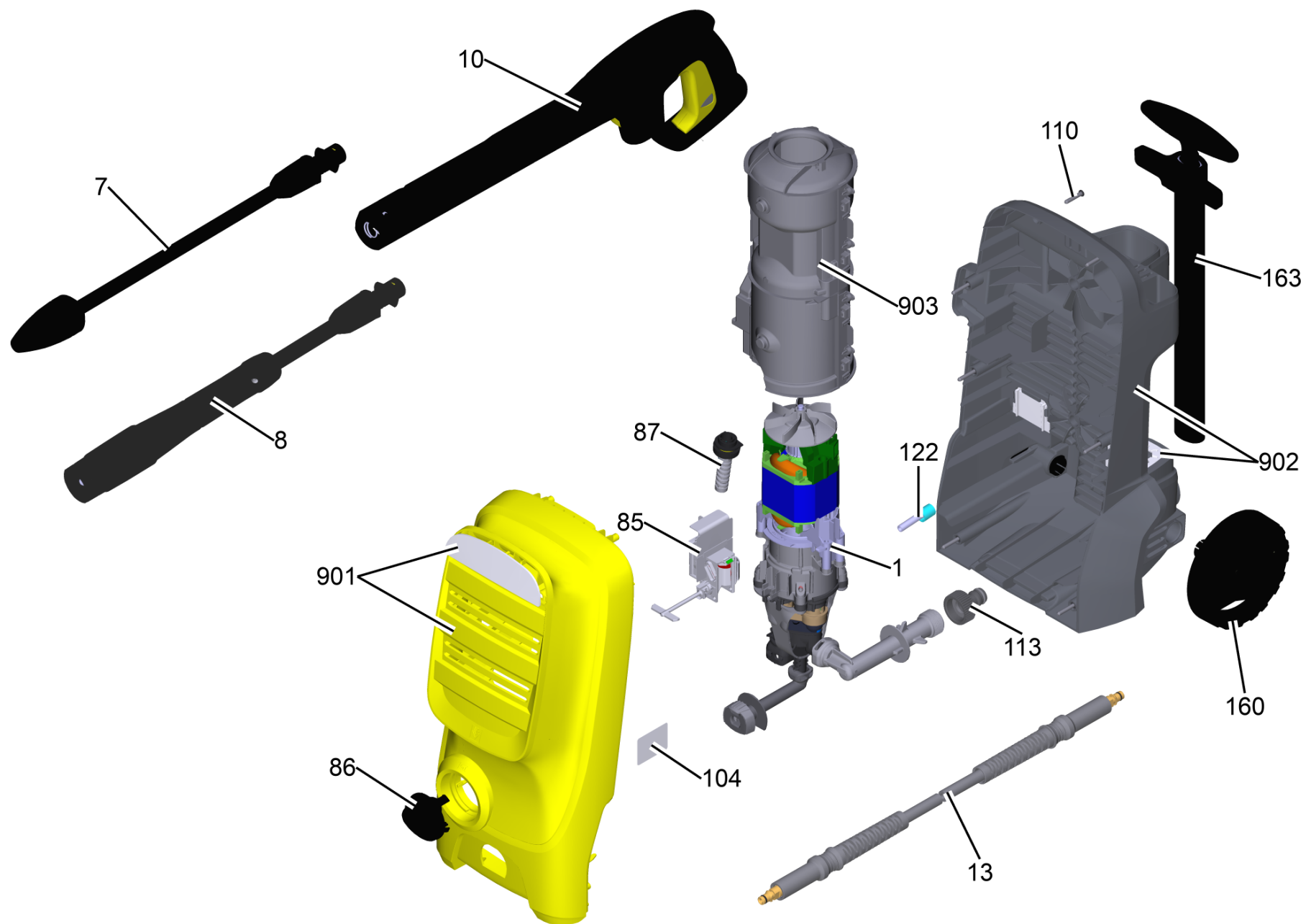


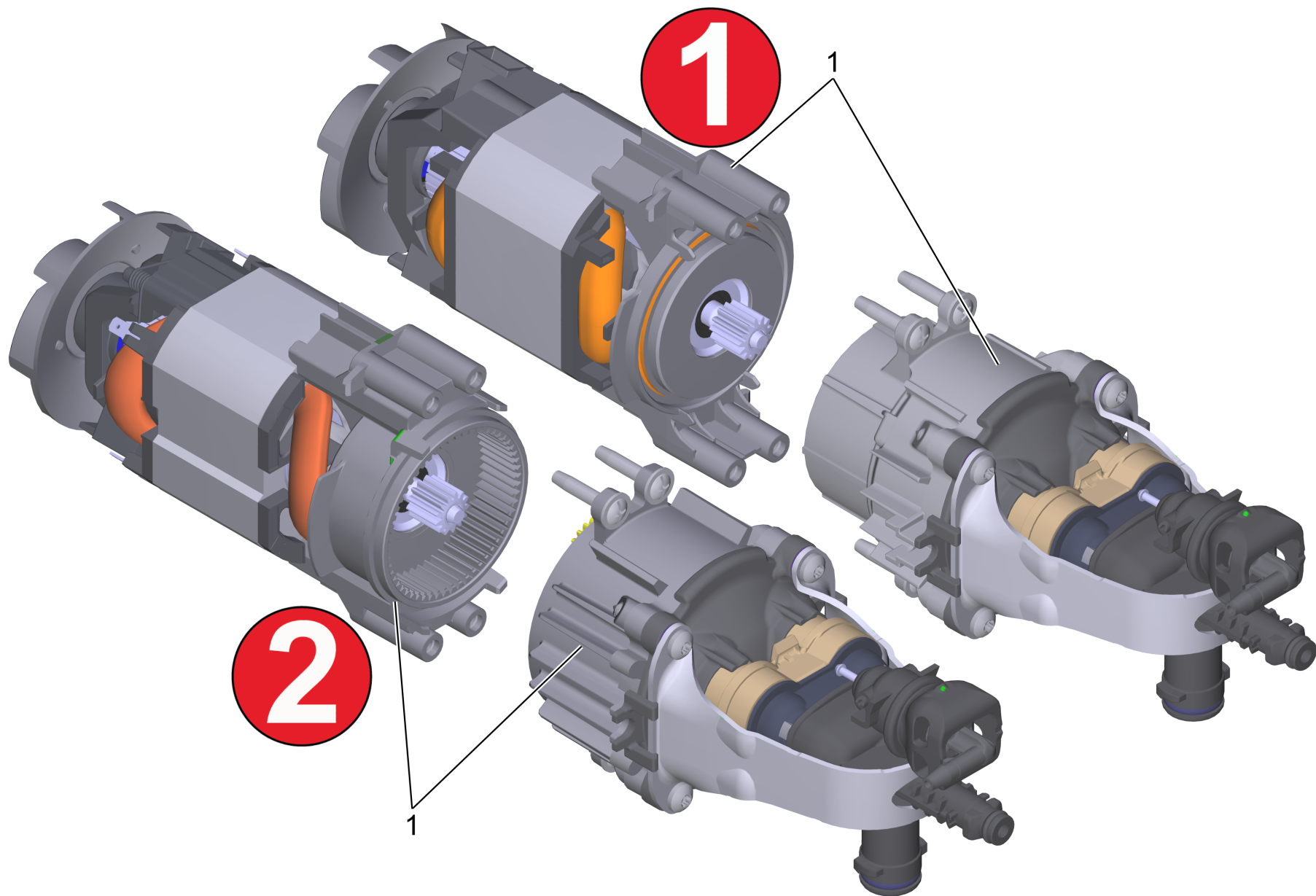
Spare parts list

(1.679-420.0) K 4 Classic *EU

Table of contents

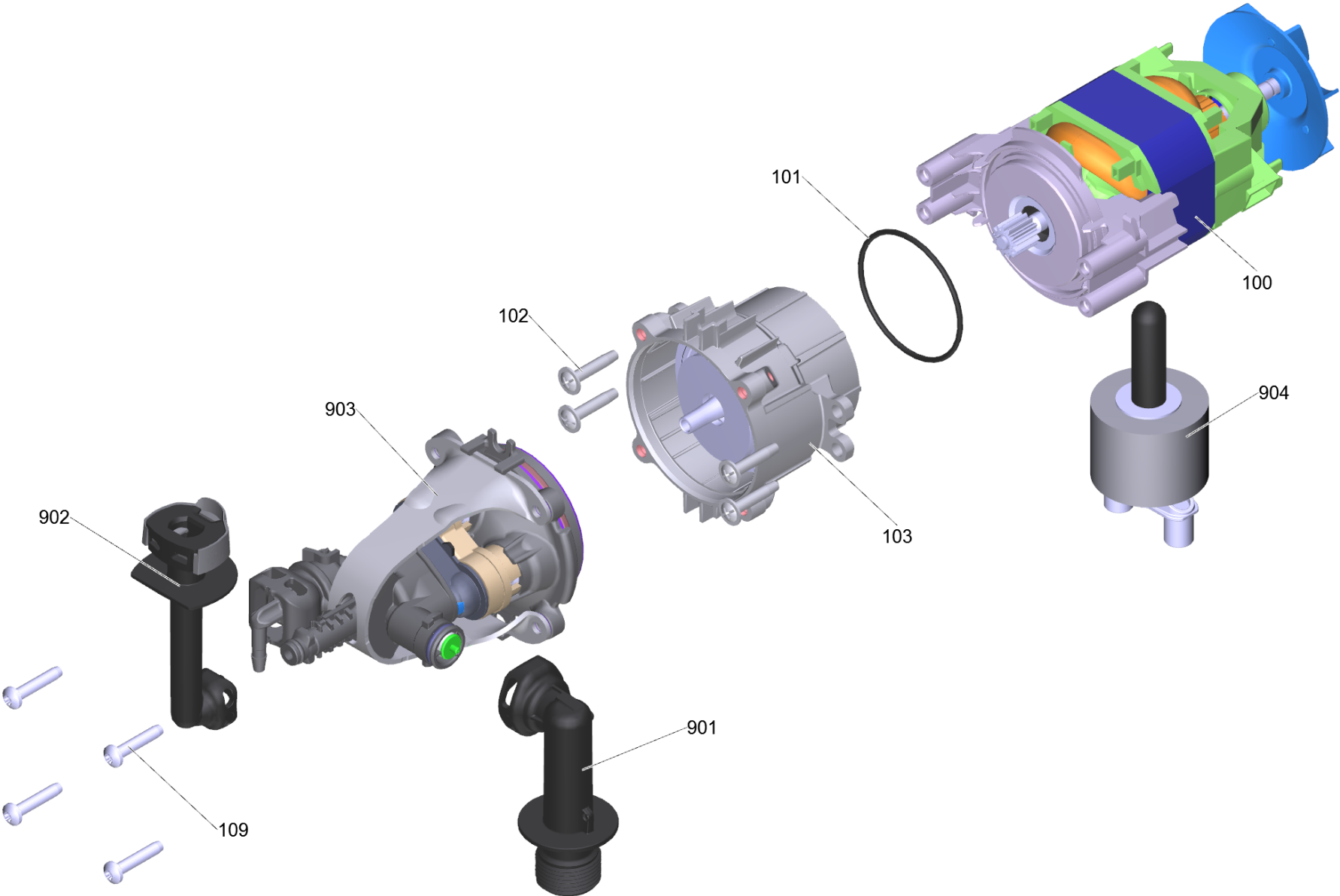
K 4 Classic *EU (1.679-420.0)	3
1 KP 2/0-N-UM*EU-220-240/50-60-5,2/11,0+INA	6
103 Gear complete 6°12'4,02 RV upr. (INA)	8
901 Spare part set planet wheel (4.100-662.0)	10
901 Inlett fitting long with fine filter upr (4.064-068.3)	12
902 High-pressure outlet with clamp for repl (4.064-047.0)	14
903 Cylinder head cpl. RV (K4/KHD4) (4.551-340.3)	16
Cylinder head RV (247+Stk/NC-90°/SV b.)	18
40 Cylinder head RV K2 *	20
45 Spare parts set control piston with nipp (2.885-397.0)	22
43 Thrust guidance cpl. quadruple (K4/KHD4)	24
1 KP 2/0-N-UM*EU-220-240/50-60-5,2/11+KBT	26
103 Gear complete 6,2° G2/2 (KBT) Kst	28
901 Inlett fitting long with fine filter upr (4.064-068.3)	30
902 High-pressure outlet with clamp for repl (4.064-047.0)	32
903 Cylinder head cpl. RV (K4/KHD4) (4.551-340.3)	34
Cylinder head RV (247+Stk/NC-90°/SV b.)	36
40 Cylinder head RV K2 *	38
45 Spare parts set control piston with nipp (2.885-397.0)	40
43 Thrust guidance cpl. quadruple (K4/KHD4)	42
1 KP 2/0-N-UM*EU-220-240/50-60-5,2/11+KBT	44
103 Gear complete 6,2° G2/2 (KBT) Kst	46
901 Inlett fitting long with fine filter upr (4.064-068.3)	48
902 High-pressure outlet with clamp for repl (4.064-047.0)	50
903 Cylinder head cpl. RV (K4/KHD4) (4.551-340.3)	52
Cylinder head RV (247+Stk/NC-90°/SV b.)	54
40 Cylinder head RV K2 *	56
45 Spare parts set control piston with nipp (2.885-397.0)	58
43 Thrust guidance cpl. quadruple (K4/KHD4)	60
8 VPS entry 021 K (4.760-299.3)	62
10 Pistol entry (4.775-236.3)	64
13 High pressure hose 13,5MPa/6 40°C QCS B (6.396-725.3)	66
85 Switch complete RV 470nF f. K4 Comp. *EU	68
122 Filter with hose RM 0,50 *	70





K 4 Classic *EU (1.679-420.0)

POS	Article no.	Description	Quantity	Unit
87	6.651-827.3	Cable with plug *EU (2x1 +FR/295) -	1	PC
113	6.465-031.0	Connection 3/4	1	PC
7	4.764-352.3	Dirt blaster middle 024 ST	1	PC
122		Filter with hose RM 0,50 *	1	PC
86	5.322-039.0	Handhold switch Modul Range	1	PC
163	4.322-065.3	Handhold telescope with holder	1	PC
13	6.396-725.3	High pressure hose 13,5MPa/6 40°C QCS B	1	PC
901	4.101-157.0	Housing front cpl. K3 Classic	1	PC
902		Housing rear black K4 Classic	1	PC
1		KP 2/0-N-UM*EU-220-240/50-60-5,2/11+KBT	1	PC
1		KP 2/0-N-UM*EU-220-240/50-60-5,2/11+KBT	1	PC
1		KP 2/0-N-UM*EU-220-240/50-60-5,2/11,0+INA	1	PC
903	4.101-105.0	Motor housing cpl.	1	PC
10	4.775-236.3	Pistol entry	1	PC
110	9.086-221.0	Screw ATF 4.1x22	7	PC
85		Switch complete RV 470nF f. K4 Comp. *EU	1	PC
8	4.760-299.3	VPS entry 021 K	1	PC
104	5.387-620.0	Warning sign new	1	PC
160	5.515-357.0	Wheel D120 K2 Modul-Range	2	PC

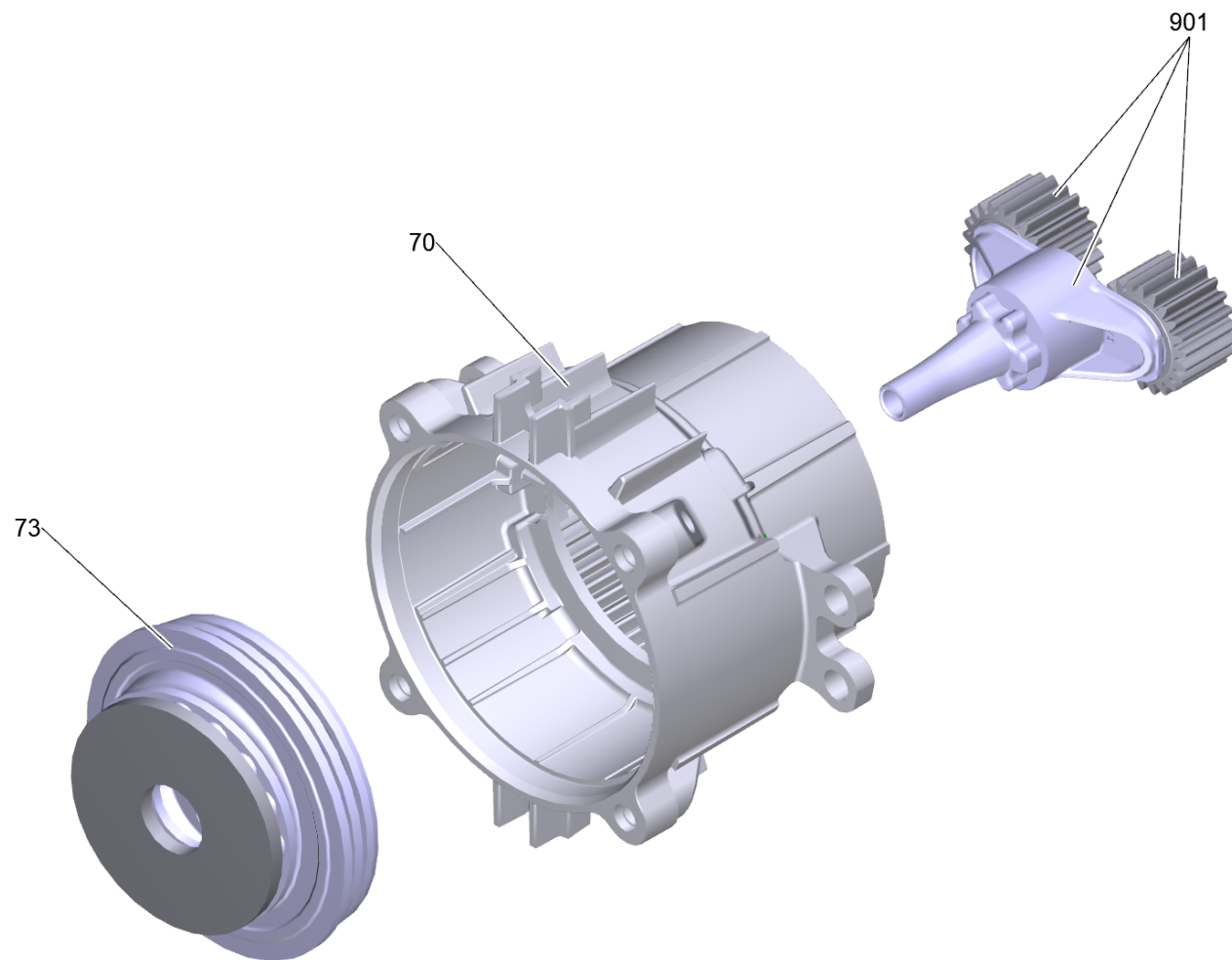


1 KP 2/0-N-UM*EU-220-240/50-60-5,2/11,0+INA

POS	Article no.	Description	Quantity	Unit
903	4.551-340.3	Cylinder head cpl. RV (K4/KHD4)	1	PC
103		Gear complete 6°12'4,02 RV upr. (INA)	1	PC
902	4.064-047.0	High-pressure outlet with clamp for repl	1	PC
901	4.064-068.3	Inlett fitting long with fine filter upr	1	PC
100	4.100-720.0	Motor only for replacement 1,15kW *EU	1	PC
101	6.363-657.0	O-Ring seal 50x2.35 NBR 70	1	PC
102	6.303-260.0	Screw 5x26,4	4	PC
109	6.303-519.0	Screw M5x25-10.9-A2E (IN6RD/T25)	4	PC
904	2.100-023.0	Special tool motor K2	1	PC

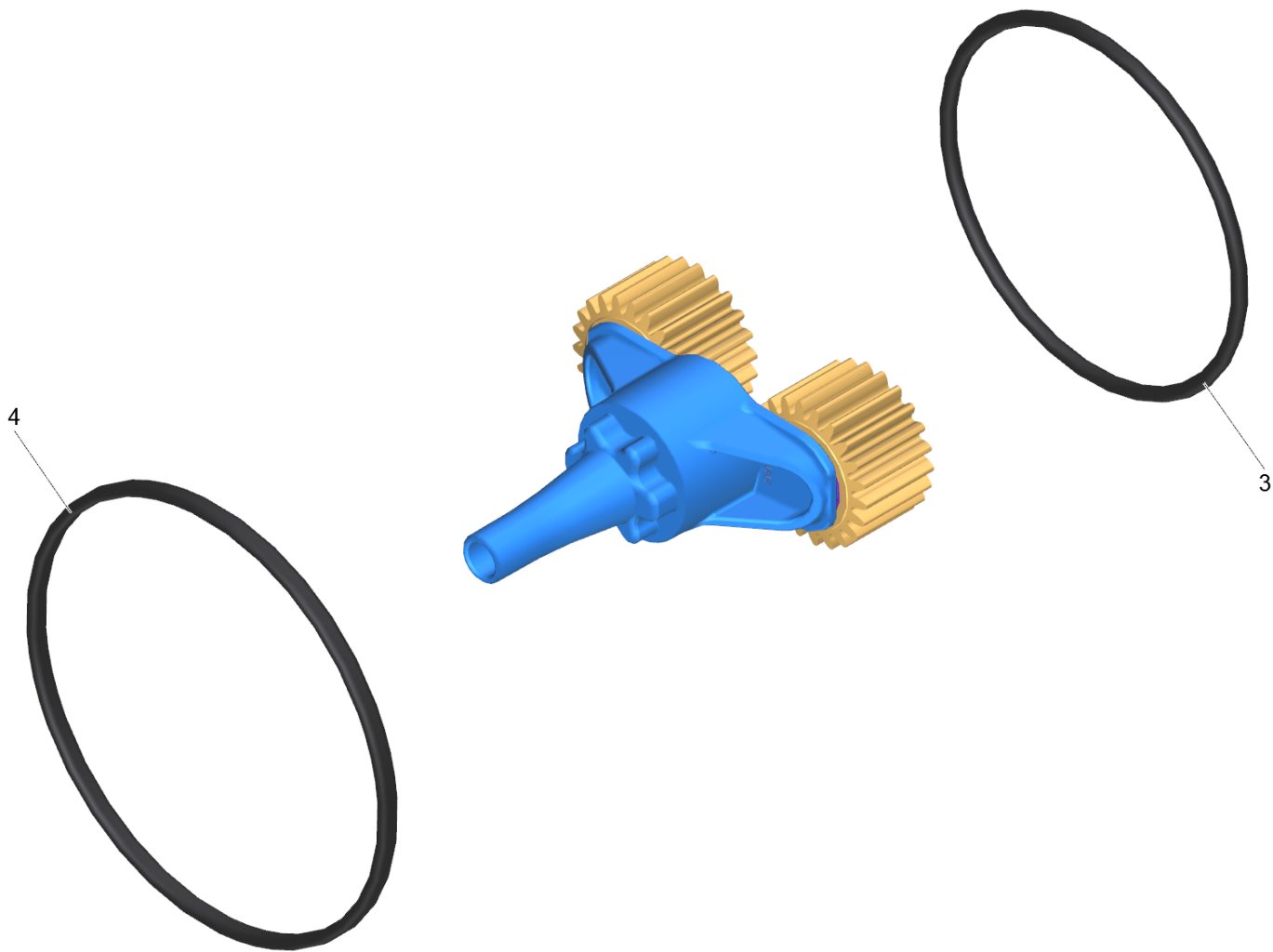
Item text1: Pay attention to Assembly instruction!

Item text2: Montageanleitung beachten!



103 Gear complete 6°12'/4,02 RV upr. (INA)

POS	Article no.	Description	Quantity	Unit
70	5.062-124.3	Housing gear RV	1	PC
901	4.100-662.0	Spare part set planet wheel	1	PC
73	4.120-278.3	Wobble plate cpl. lift 4,02(37) 6°12' ex	1	PC



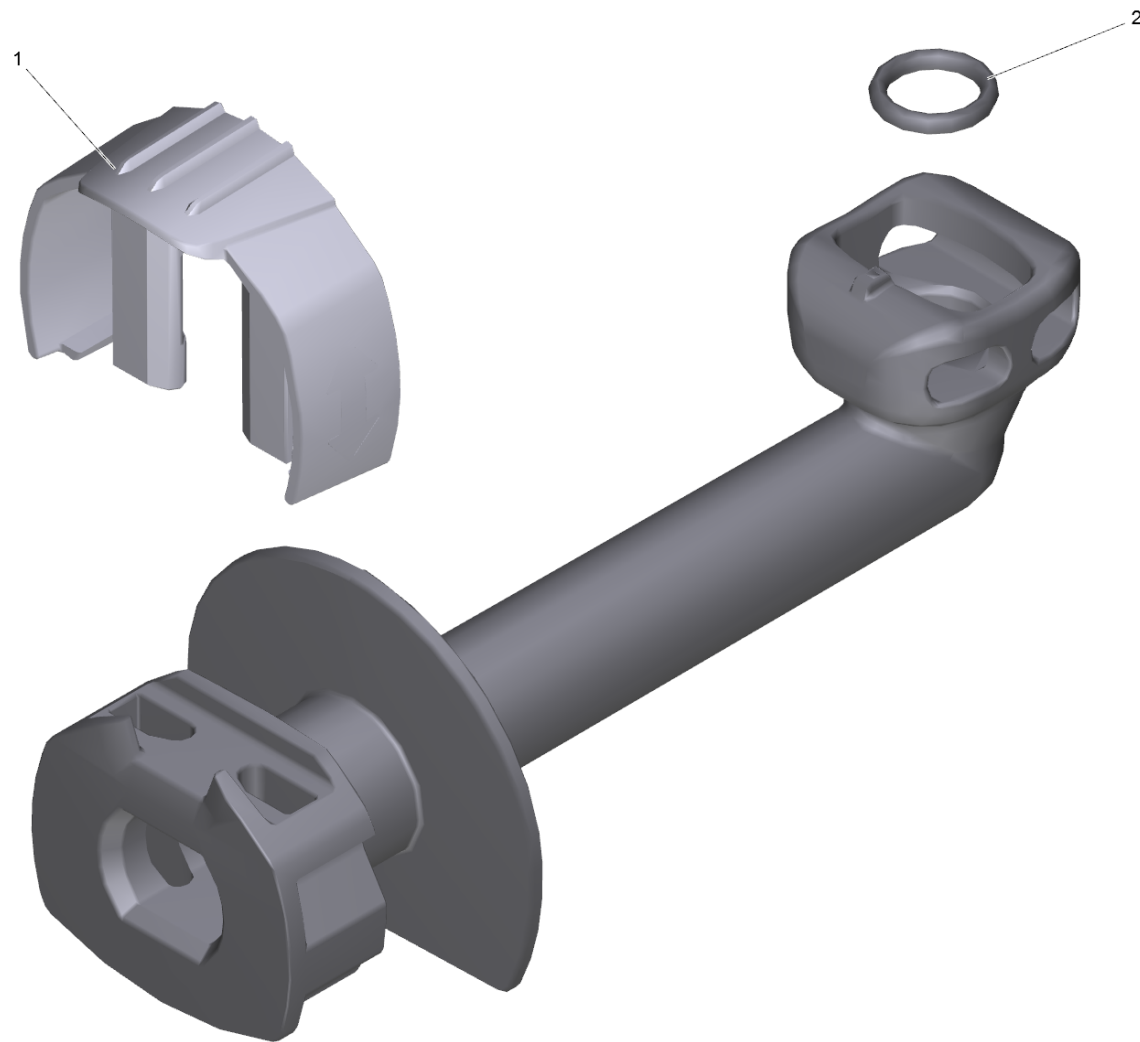
901 Spare part set planet wheel (4.100-662.0)

POS	Article no.	Description	Quantity	Unit
3	6.363-657.0	O-Ring seal 50x2.35 NBR 70	1	PC
4	6.362-826.0	O-Ring seal 61,6x2,62	1	PC



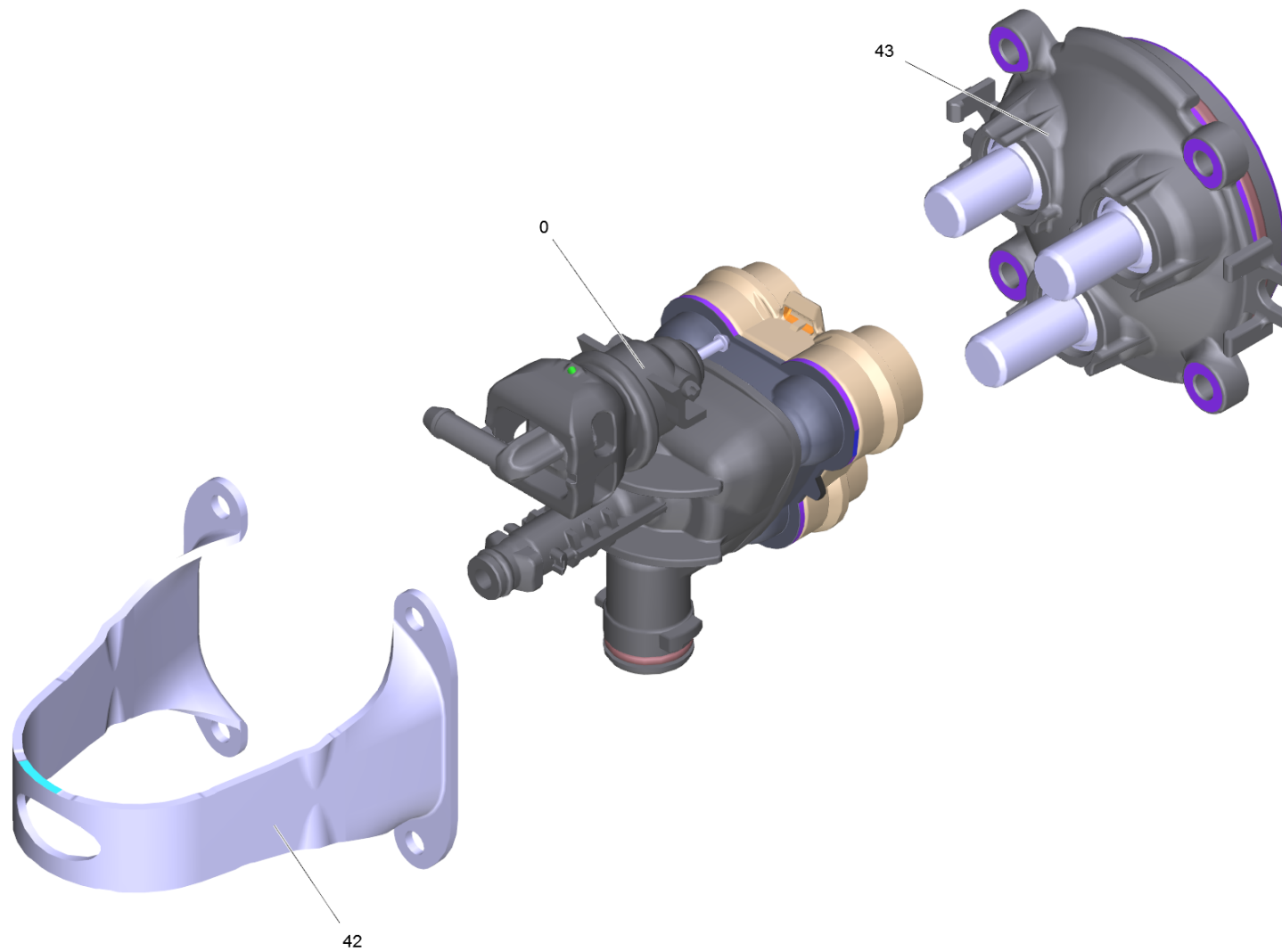
901 Inlett fitting long with fine filter upr (4.064-068.3)

POS	Article no.	Description	Quantity	Unit
91	5.731-004.0	Fine filter short (2015/17)	1	PC



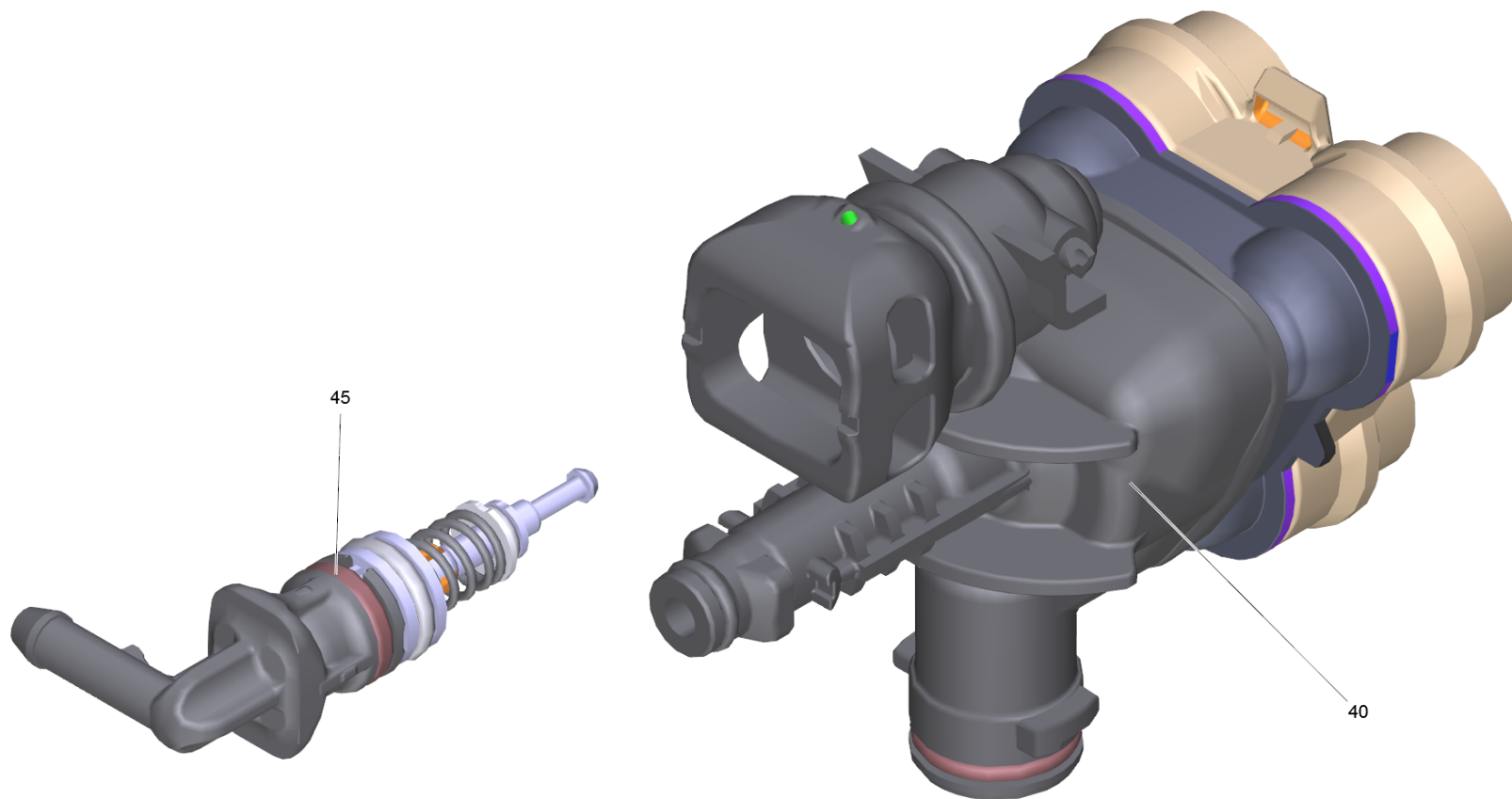
902 High-pressure outlet with clamp for repl (4.064-047.0)

POS	Article no.	Description	Quantity	Unit
1	5.037-463.0	Clamp for high-pressure outlet	1	PC
2	6.362-113.0	O-Ring seal 6,0 x 2,0 NBR 70	1	PC



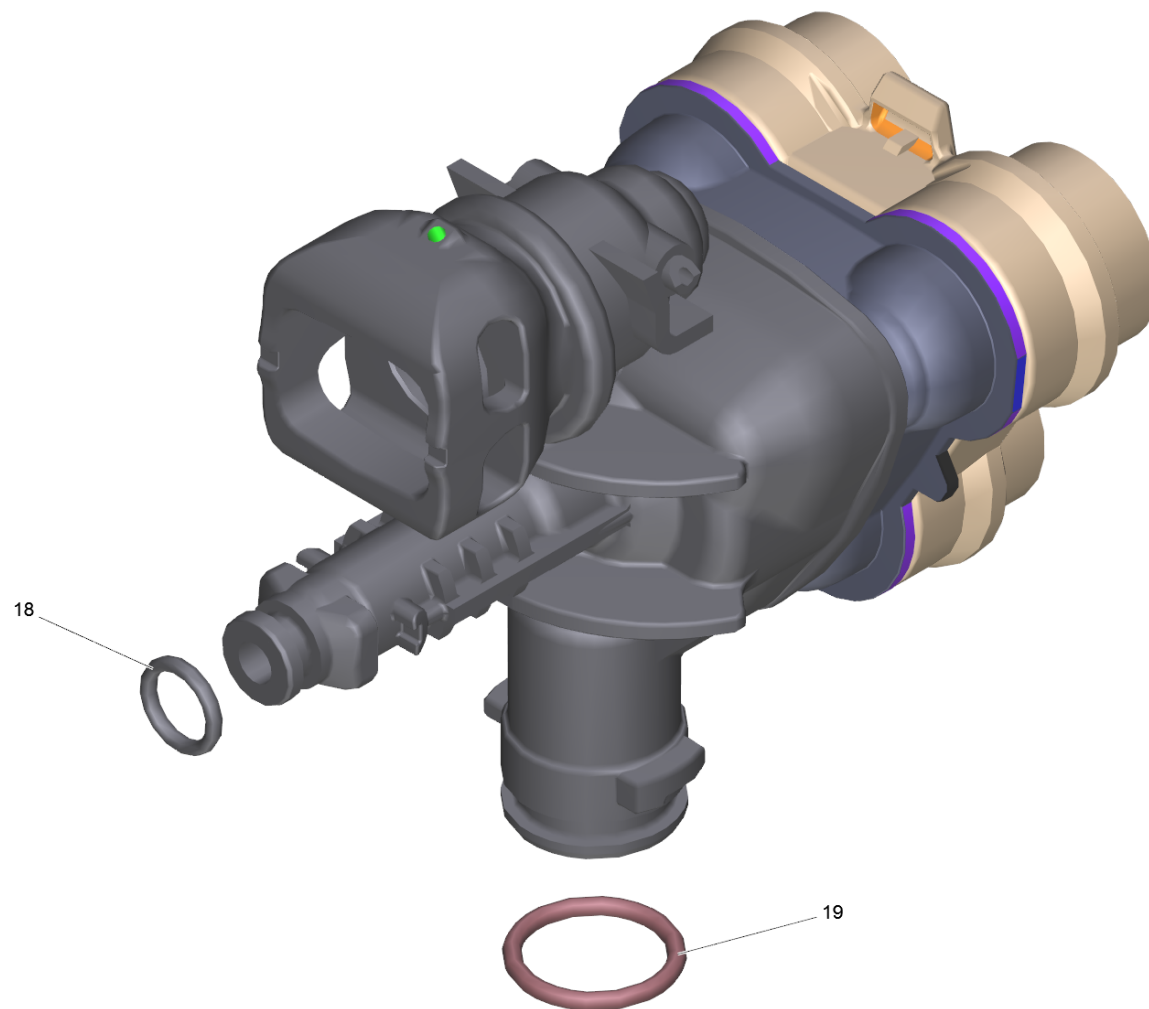
903 Cylinder head cpl. RV (K4/KHD4) (4.551-340.3)

POS	Article no.	Description	Quantity	Unit
0		Cylinder head RV (247+Stk/NC-90°/SV b.)	1	PC
42	5.051-384.0	Sheet metal component 4-fach	1	PC
43		Thrust guidance cpl. quadruple (K4/KHD4)	1	PC



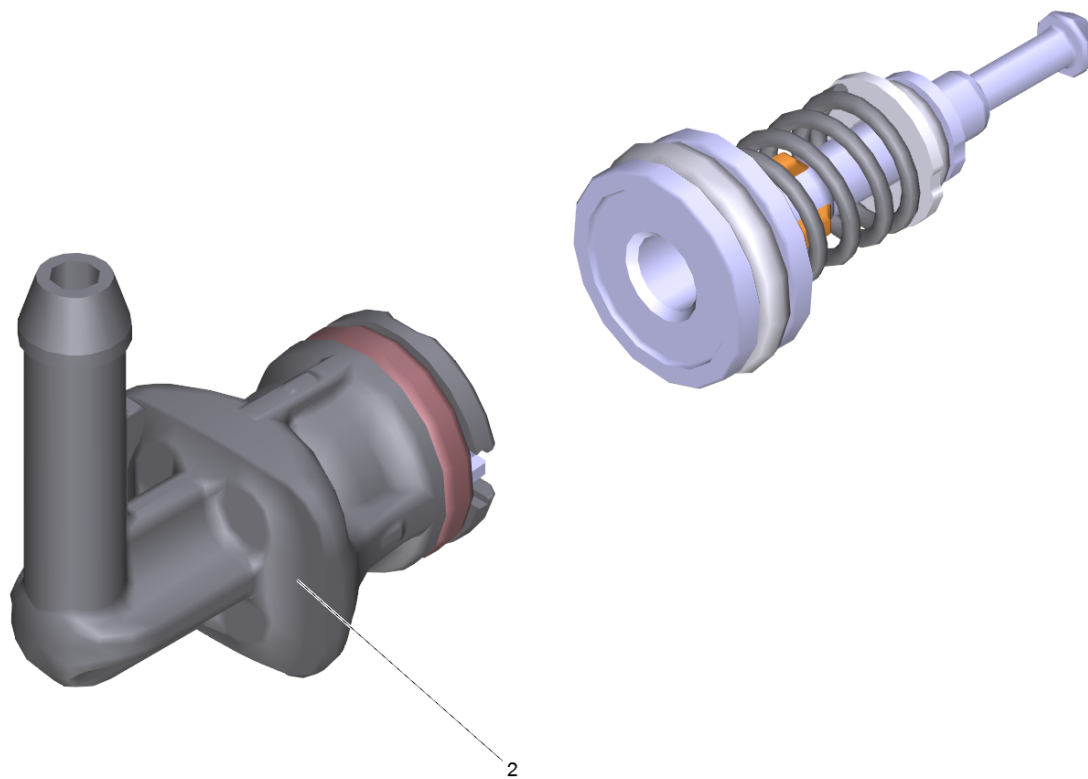
Cylinder head RV (247+Stk/NC-90°/SV b.)

POS	Article no.	Description	Quantity	Unit
40		Cylinder head RV K2 *	1	PC
45	2.885-397.0	Spare parts set control piston with nipp	1	PC



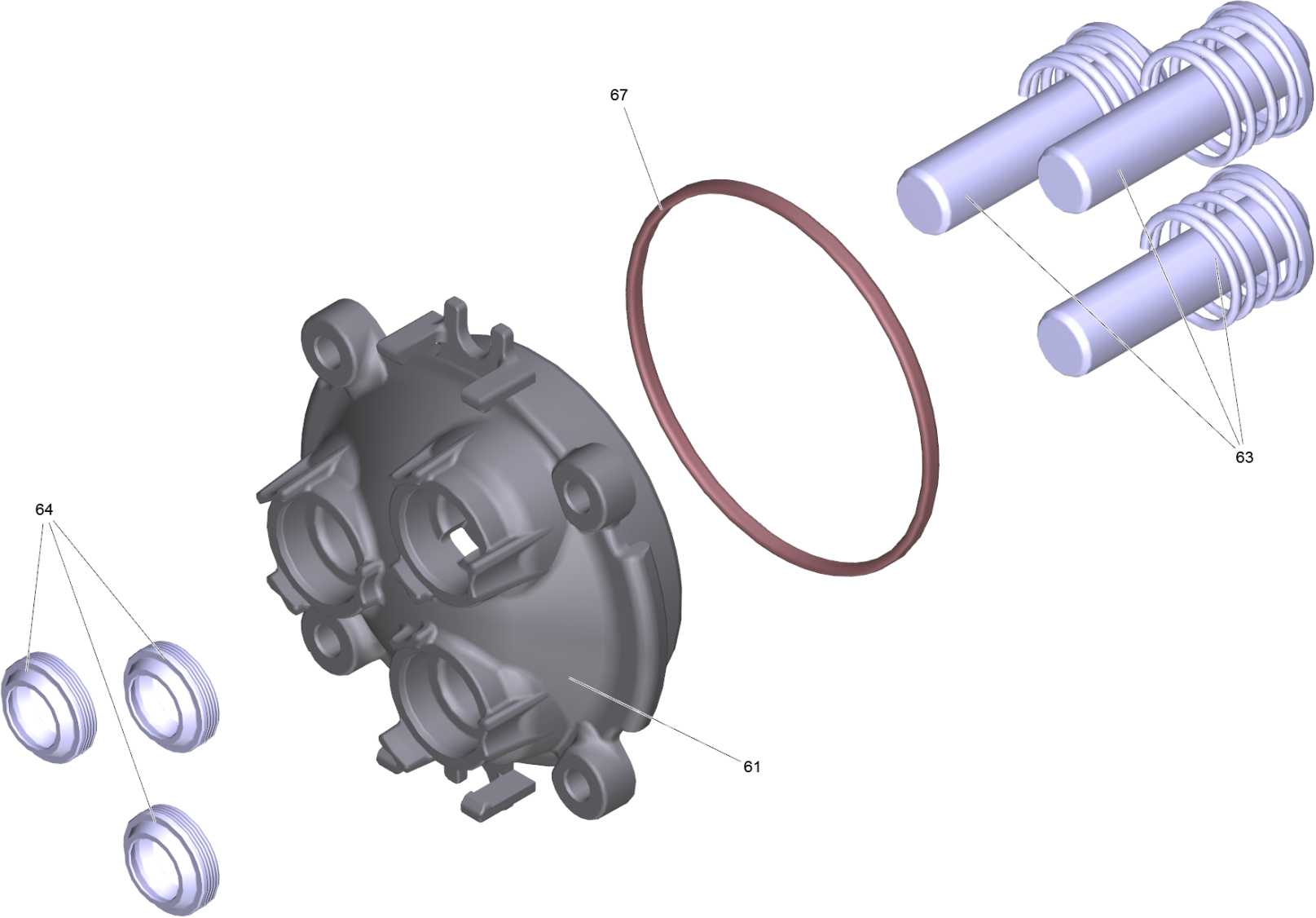
40 Cylinder head RV K2 *

POS	Article no.	Description	Quantity	Unit
18	6.362-113.0	O-Ring seal 6,0 x 2,0 NBR 70	1	PC
19	6.362-427.0	O-Ring seal 15,0x2,0	1	PC



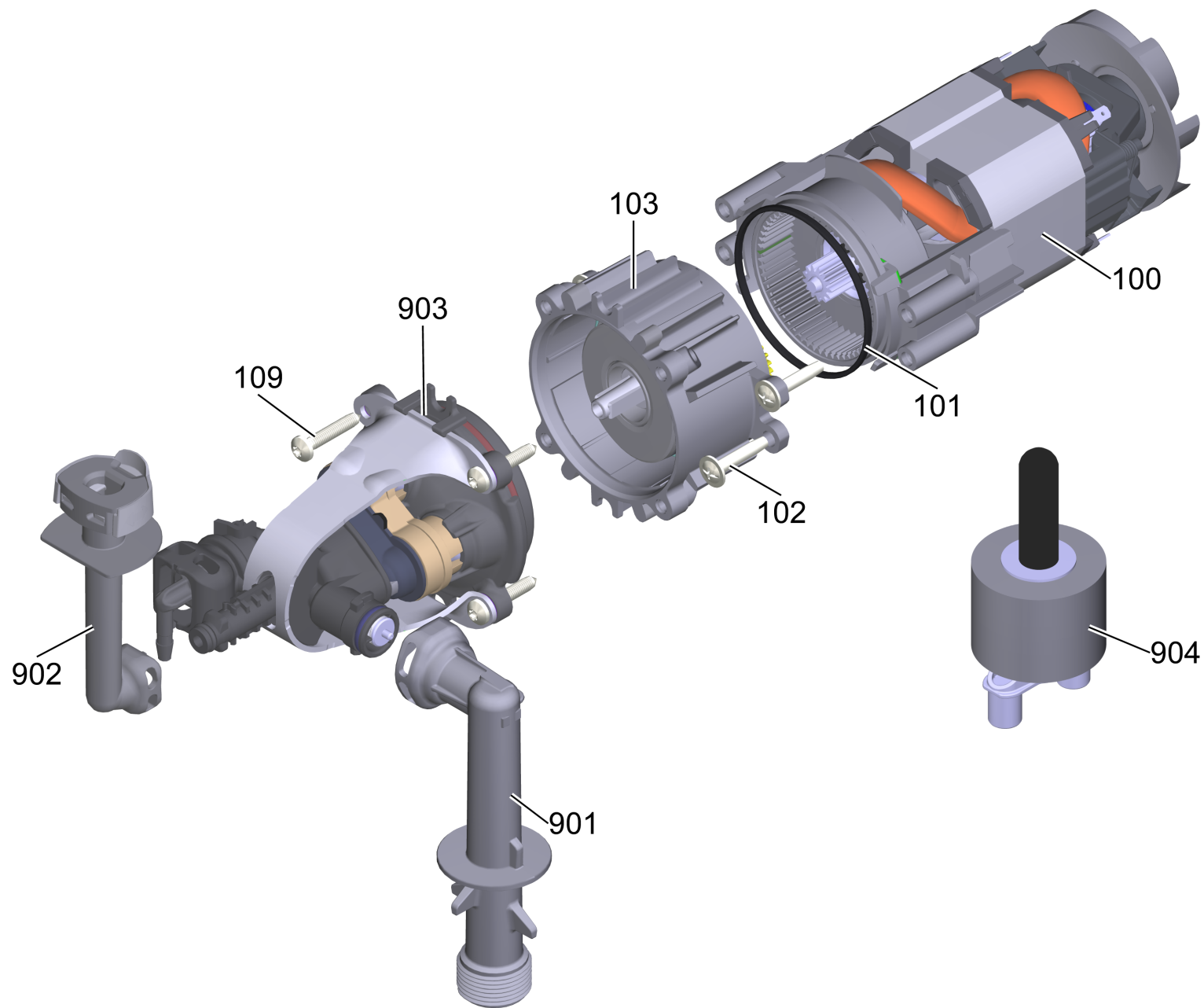
45 Spare parts set control piston with nipp (2.885-397.0)

POS	Article no.	Description	Quantity	Unit
900	6.288-088.0	Grease Molikote 55 M	1	PC
2	2.885-396.0	Spare parts set nipple chemistry RV	1	PC

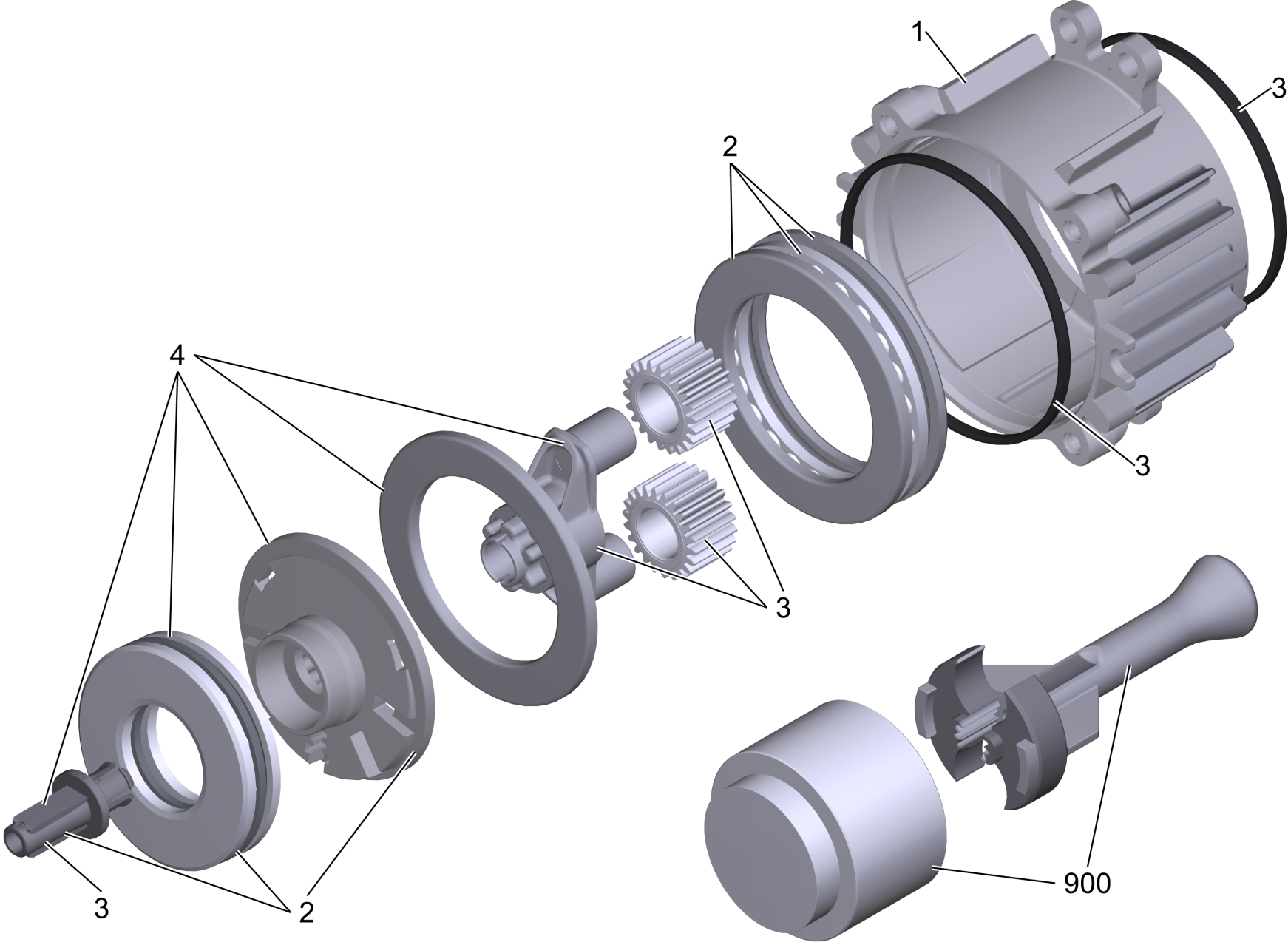


43 Thrust guidance cpl. quadruple (K4/KHD4)

POS	Article no.	Description	Quantity	Unit
64	6.365-581.0	Grooved ring oil 12x18x4/6 NBR 75 Shore A	3	PC
67	6.362-826.0	O-Ring seal 61,6x2,62	1	PC
63	4.100-899.0	Spare parts set piston with spring	3	PC
61	5.062-412.0	Thrust guidance V2 R V	1	PC



POS	Article no.	Description	Quantity	Unit
903	4.551-340.3	Cylinder head cpl. RV (K4/KHD4)	1	PC
103		Gear complete 6,2° G2/2 (KBT) Kst	1	PC
902	4.064-047.0	High-pressure outlet with clamp for repl	1	PC
901	4.064-068.3	Inlett fitting long with fine filter upr	1	PC
100	6.613-629.3	Motor UM76/45/1,15-230-G2/2	1	PC
101	6.362-902.0	O-Ring 60x2,5 NBR 70	1	PC
102	6.303-260.0	Screw 5x26,4	4	PC
109	6.303-519.0	Screw M5x25-10.9-A2E (IN6RD/T25)	4	PC
904	2.100-023.0	Special tool motor K2	1	PC
		Item text1: Pay attention to Assembly instruction!		
		Item text2: Montageanleitung beachten!		



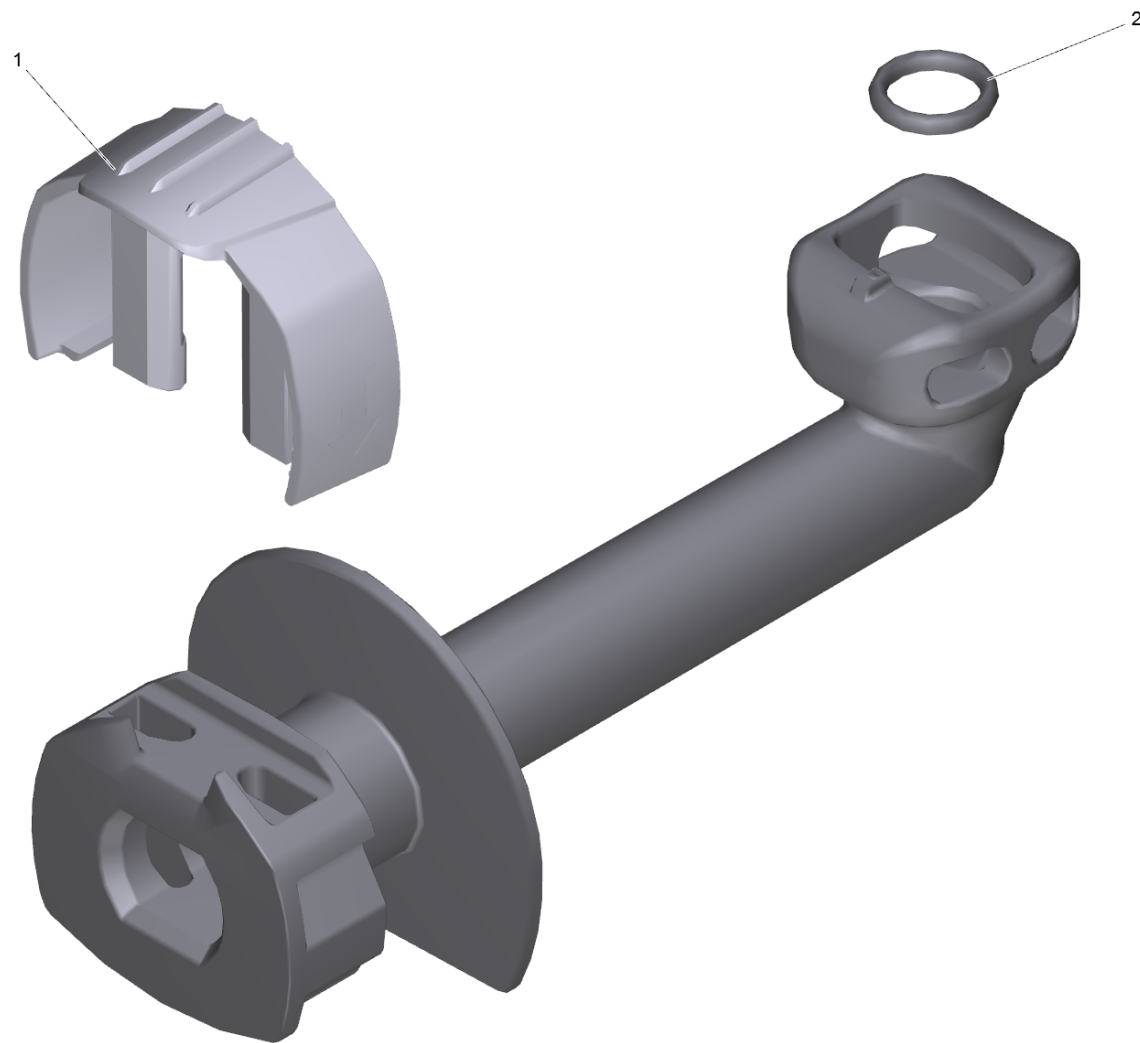
103 Gear complete 6,2° G2/2 (KBT) Kst

POS	Article no.	Description	Quantity	Unit
900	4.101-260.0	Assembly aid set wobble plate G2/2	1	PC
1	5.062-834.3	Housing gear G2/2 (BT) Al	1	PC
2	4.101-228.0	Set wobble plate 6,2° (G2/2)	1	PC
3	4.101-116.0	Spare parts set planet wheel cpl.	1	PC
4	4.120-042.3	Wobble plate complete 6,2° G2/2 (KBT)	1	PC



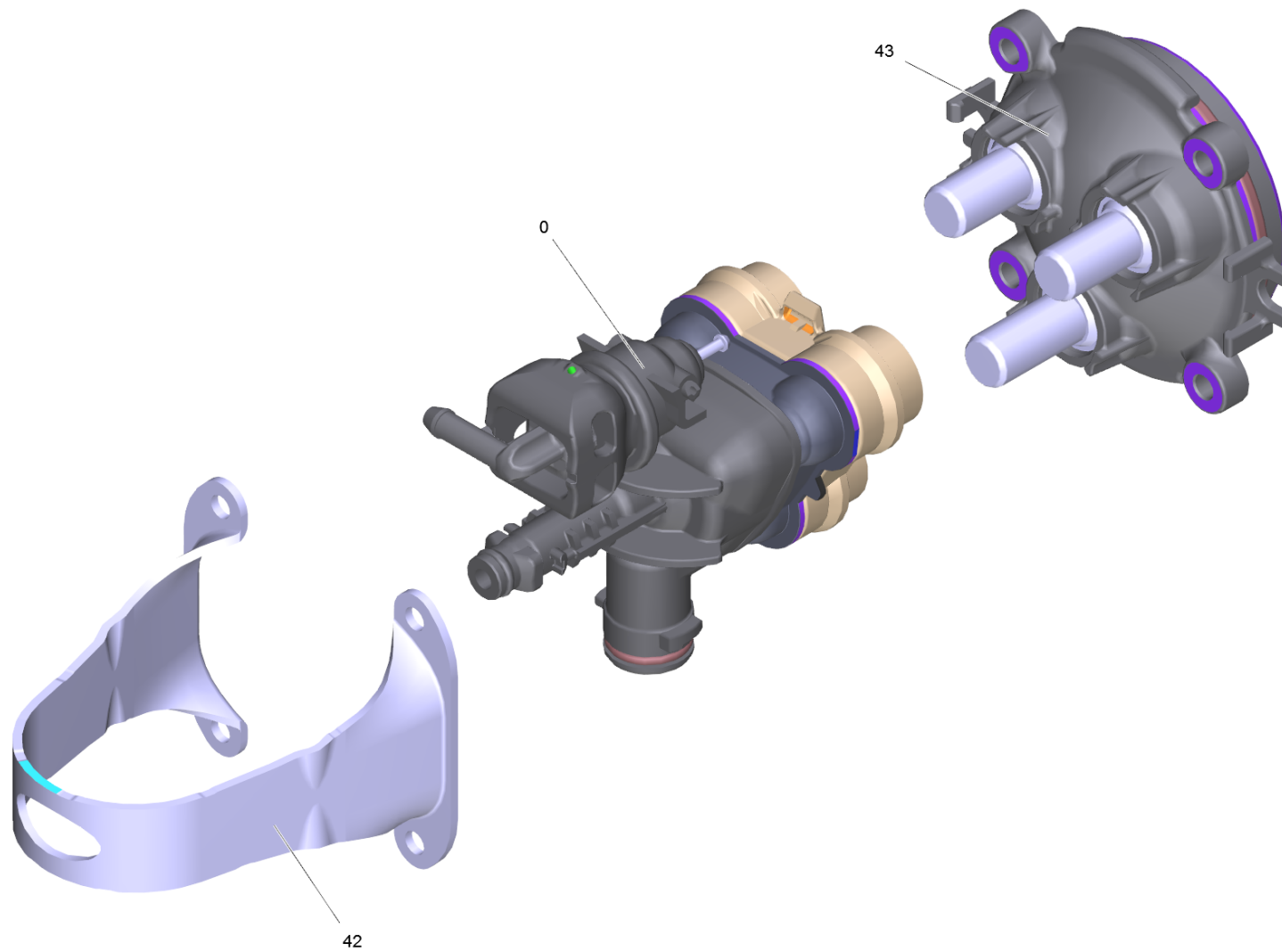
901 Inlett fitting long with fine filter upr (4.064-068.3)

POS	Article no.	Description	Quantity	Unit
91	5.731-004.0	Fine filter short (2015/17)	1	PC



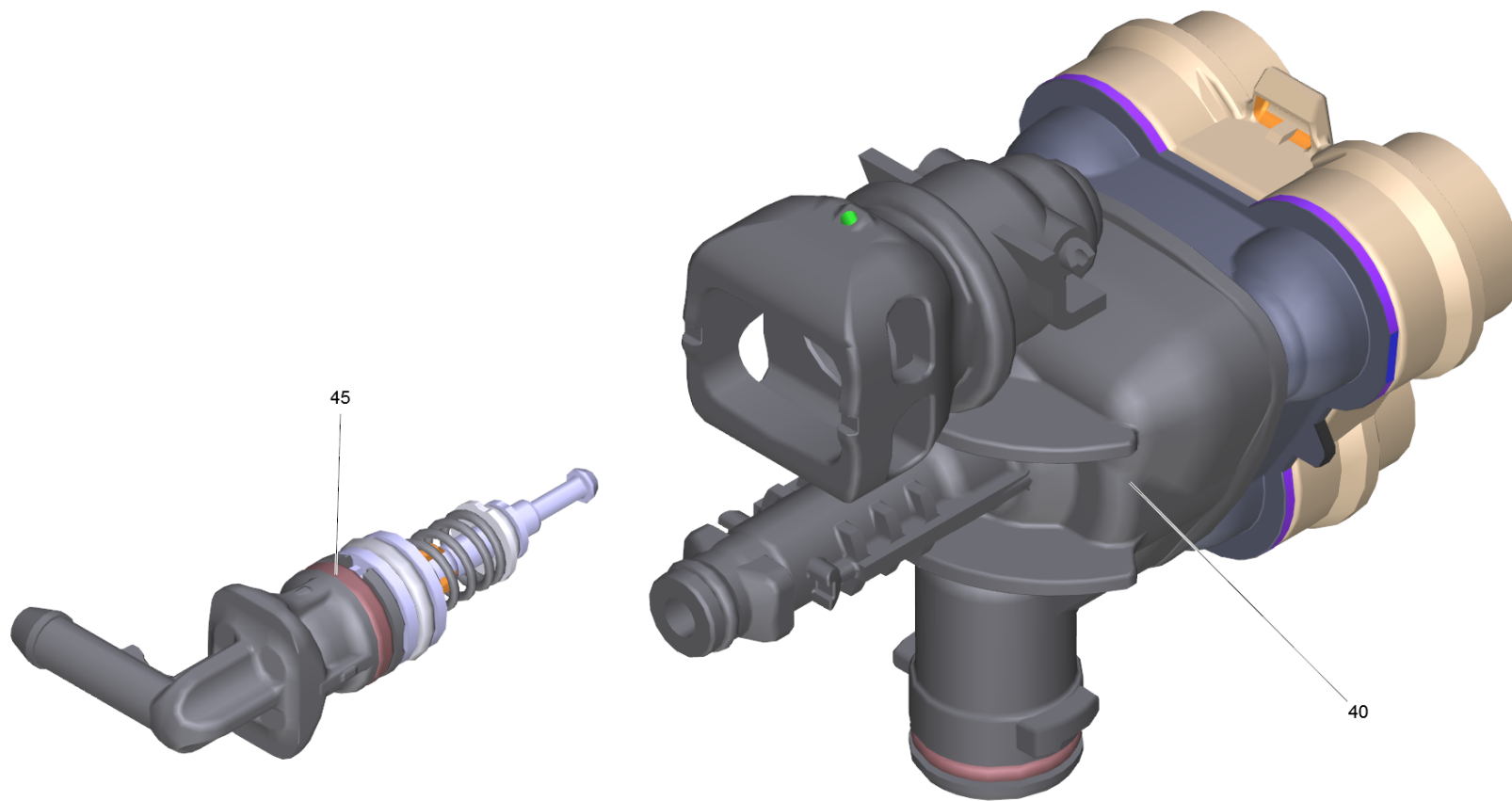
902 High-pressure outlet with clamp for repl (4.064-047.0)

POS	Article no.	Description	Quantity	Unit
1	5.037-463.0	Clamp for high-pressure outlet	1	PC
2	6.362-113.0	O-Ring seal 6,0 x 2,0 NBR 70	1	PC



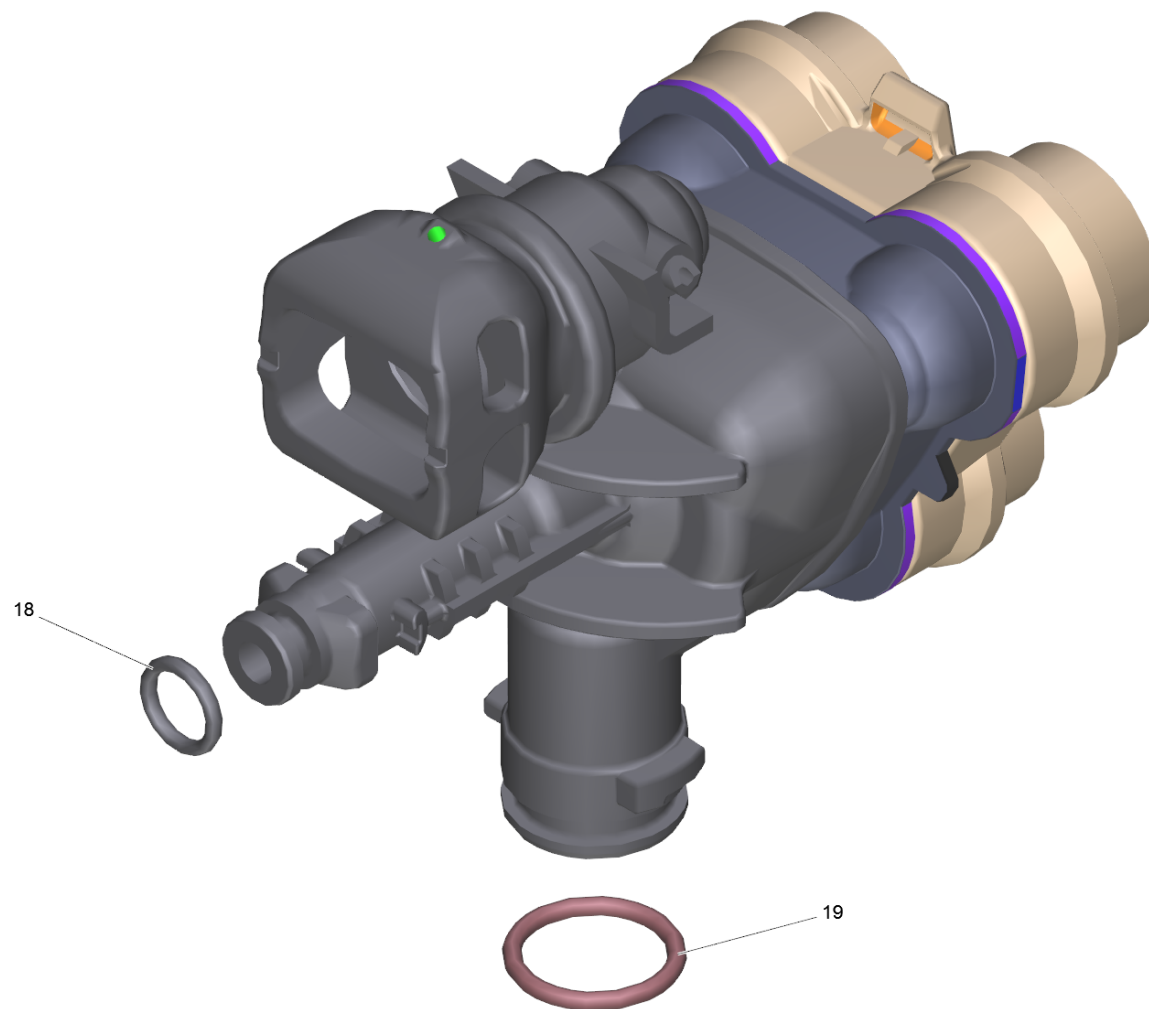
903 Cylinder head cpl. RV (K4/KHD4) (4.551-340.3)

POS	Article no.	Description	Quantity	Unit
0		Cylinder head RV (247+Stk/NC-90°/SV b.)	1	PC
42	5.051-384.0	Sheet metal component 4-fach	1	PC
43		Thrust guidance cpl. quadruple (K4/KHD4)	1	PC



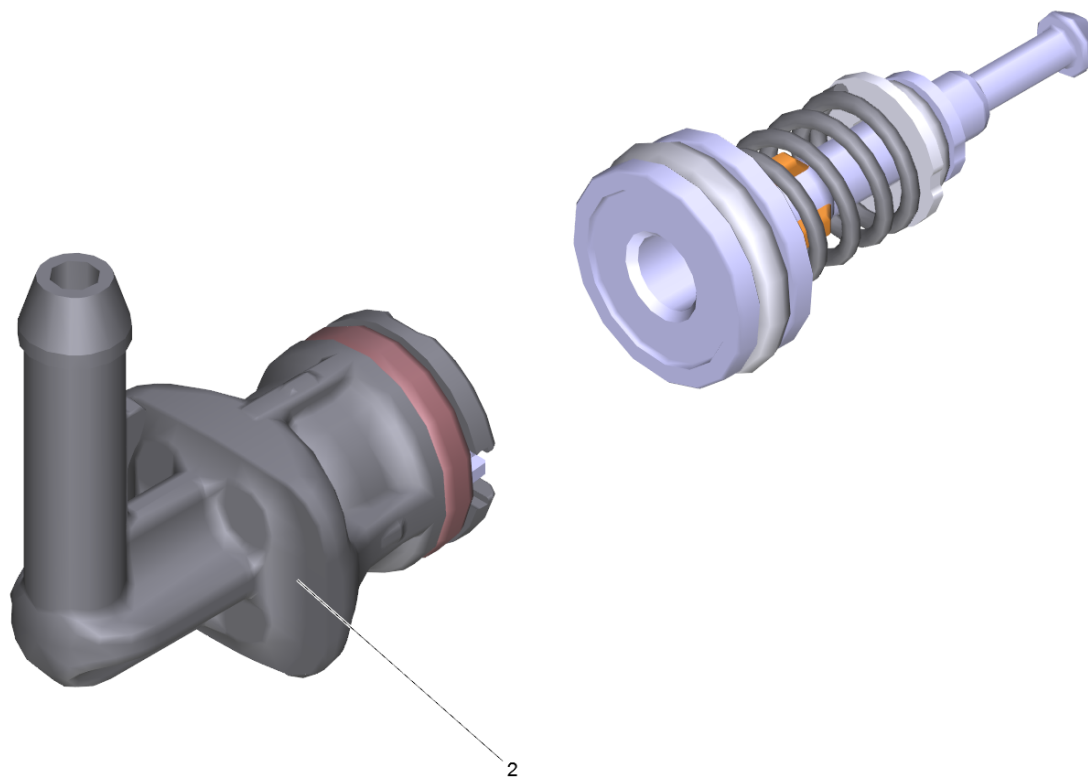
Cylinder head RV (247+Stk/NC-90°/SV b.)

POS	Article no.	Description	Quantity	Unit
40		Cylinder head RV K2 *	1	PC
45	2.885-397.0	Spare parts set control piston with nipp	1	PC



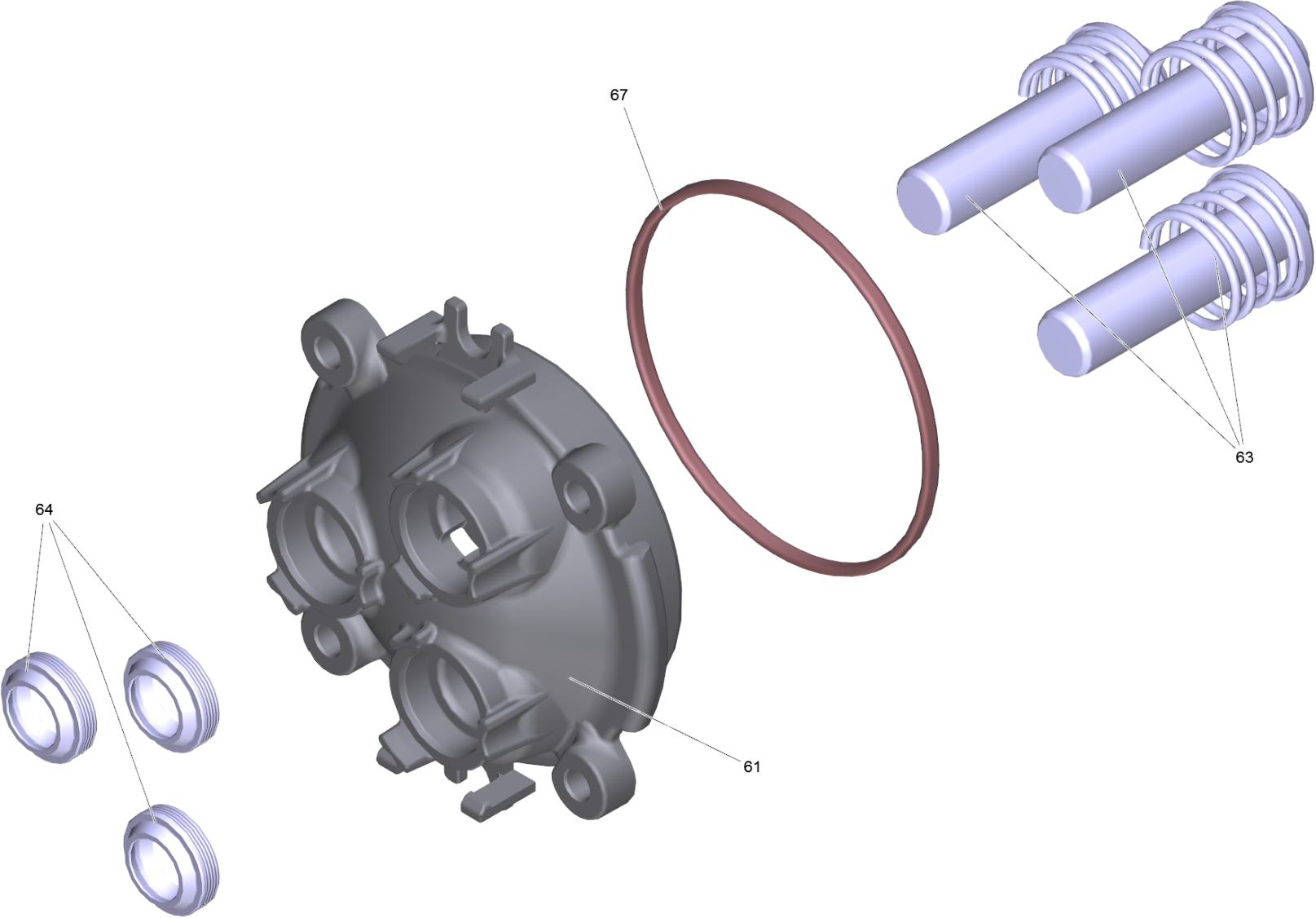
40 Cylinder head RV K2 *

POS	Article no.	Description	Quantity	Unit
18	6.362-113.0	O-Ring seal 6,0 x 2,0 NBR 70	1	PC
19	6.362-427.0	O-Ring seal 15,0x2,0	1	PC



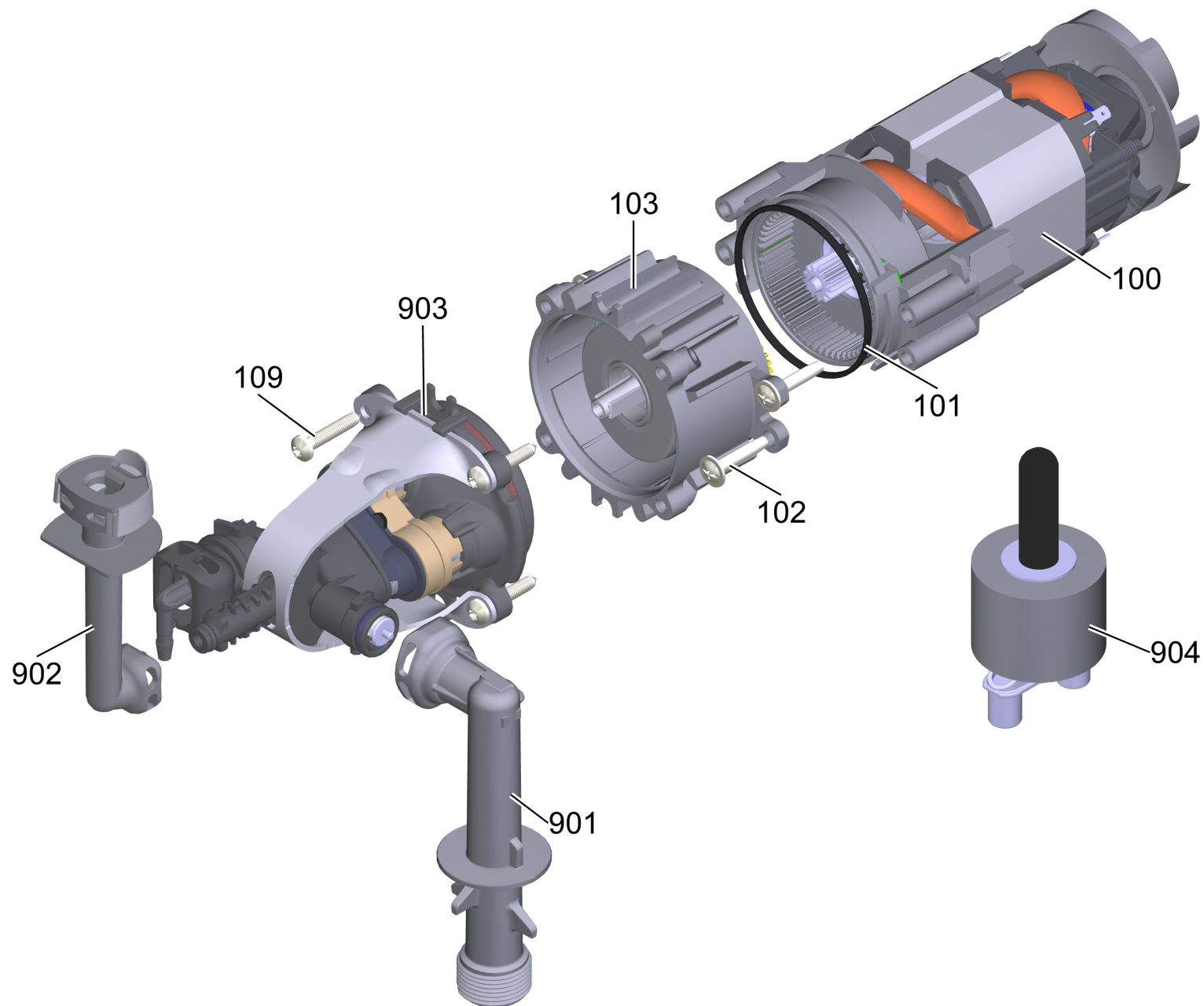
45 Spare parts set control piston with nipp (2.885-397.0)

POS	Article no.	Description	Quantity	Unit
900	6.288-088.0	Grease Molikote 55 M	1	PC
2	2.885-396.0	Spare parts set nipple chemistry RV	1	PC



43 Thrust guidance cpl. quadruple (K4/KHD4)

POS	Article no.	Description	Quantity	Unit
64	6.365-581.0	Grooved ring oil 12x18x4/6 NBR 75 Shore A	3	PC
67	6.362-826.0	O-Ring seal 61,6x2,62	1	PC
63	4.100-899.0	Spare parts set piston with spring	3	PC
61	5.062-412.0	Thrust guidance V2 R V	1	PC

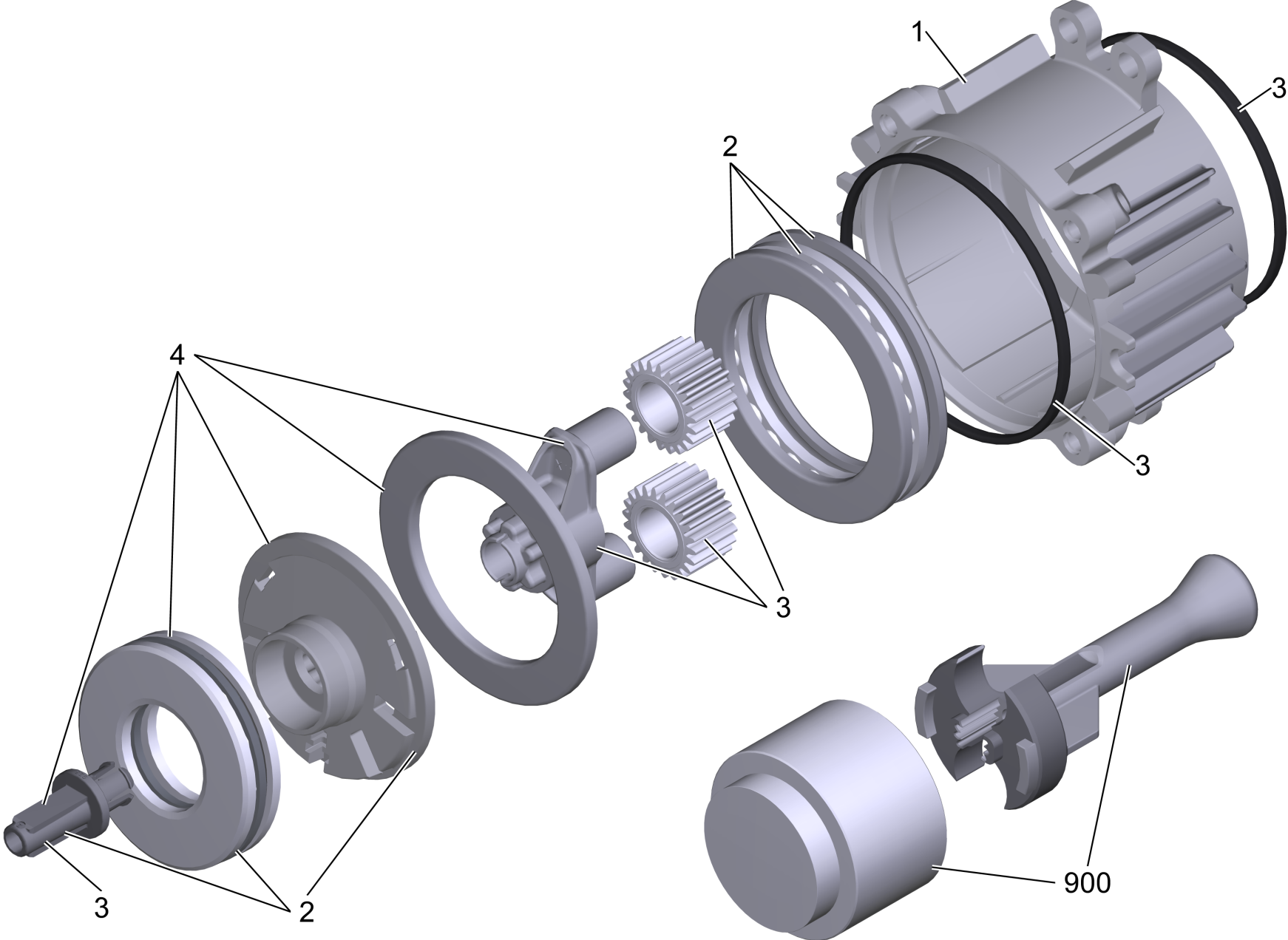


1 KP 2/0-N-UM*EU-220-240/50-60-5,2/11+KBT

POS	Article no.	Description	Quantity	Unit
903	4.551-340.3	Cylinder head cpl. RV (K4/KHD4)	1	PC
103		Gear complete 6,2° G2/2 (KBT) Kst	1	PC
902	4.064-047.0	High-pressure outlet with clamp for repl	1	PC
901	4.064-068.3	Inlett fitting long with fine filter upr	1	PC
100	6.613-629.3	Motor UM76/45/1,15-230-G2/2	1	PC
101	6.362-902.0	O-Ring 60x2,5 NBR 70	1	PC
102	6.303-260.0	Screw 5x26,4	4	PC
109	6.303-519.0	Screw M5x25-10.9-A2E (IN6RD/T25)	4	PC
904	2.100-023.0	Special tool motor K2	1	PC

Item text1: Pay attention to Assembly instruction!

Item text2: Montageanleitung beachten!



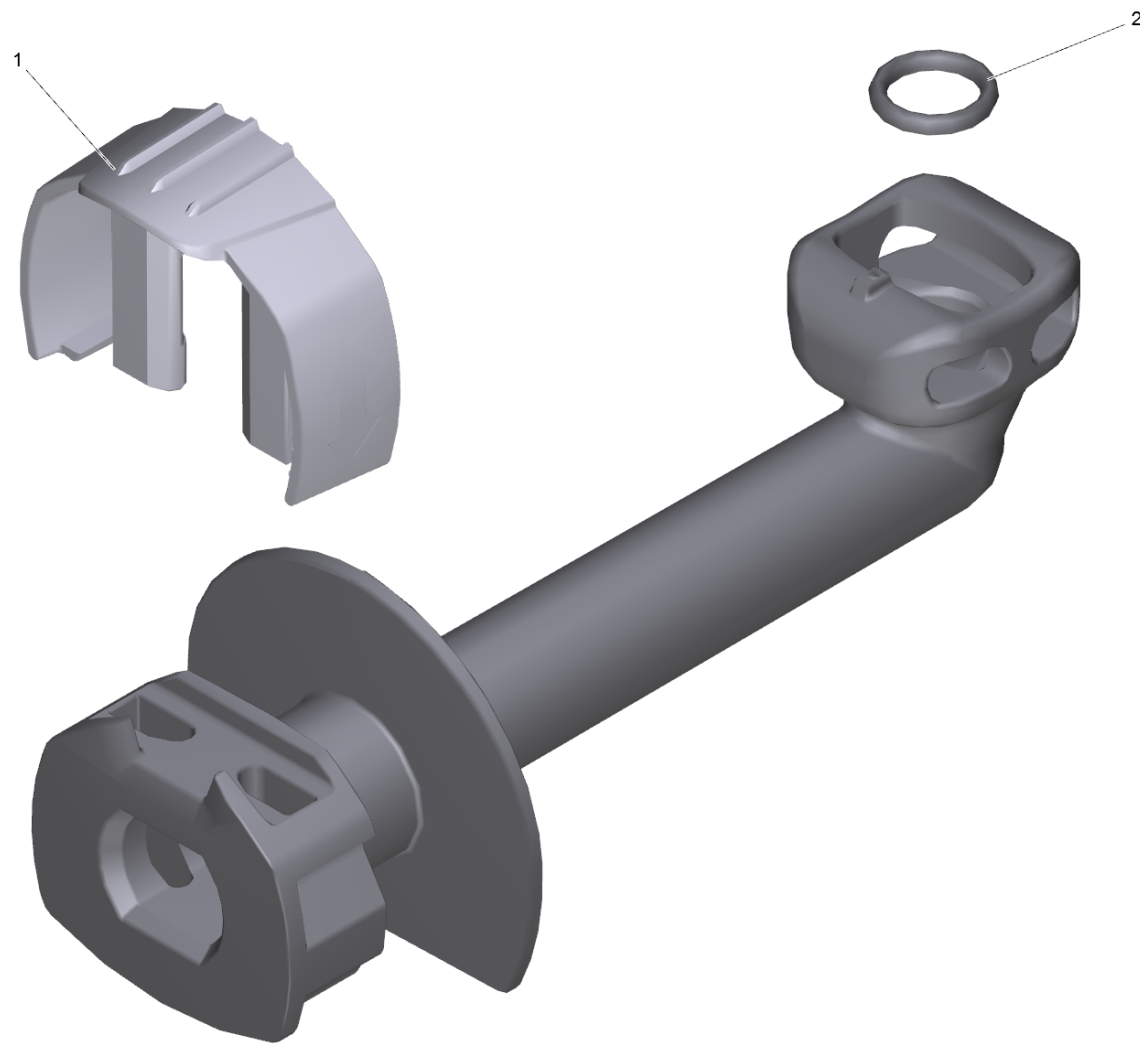
103 Gear complete 6,2° G2/2 (KBT) Kst

POS	Article no.	Description	Quantity	Unit
900	4.101-260.0	Assembly aid set wobble plate G2/2	1	PC
1	5.062-834.3	Housing gear G2/2 (BT) AI	1	PC
2	4.101-228.0	Set wobble plate 6,2° (G2/2)	1	PC
3	4.101-116.0	Spare parts set planet wheel cpl.	1	PC
4	4.120-042.3	Wobble plate complete 6,2° G2/2 (KBT)	1	PC



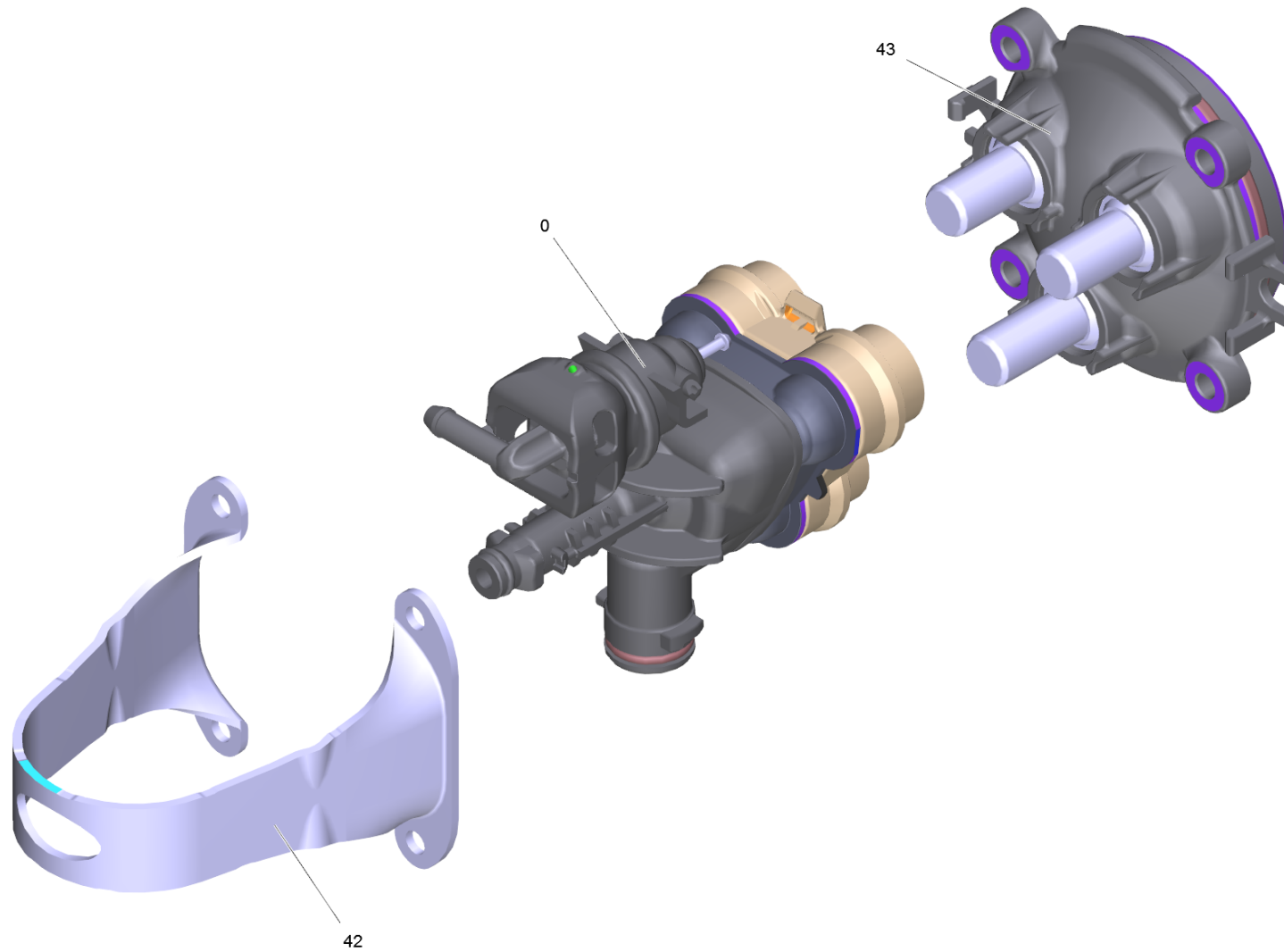
901 Inlett fitting long with fine filter upr (4.064-068.3)

POS	Article no.	Description	Quantity	Unit
91	5.731-004.0	Fine filter short (2015/17)	1	PC



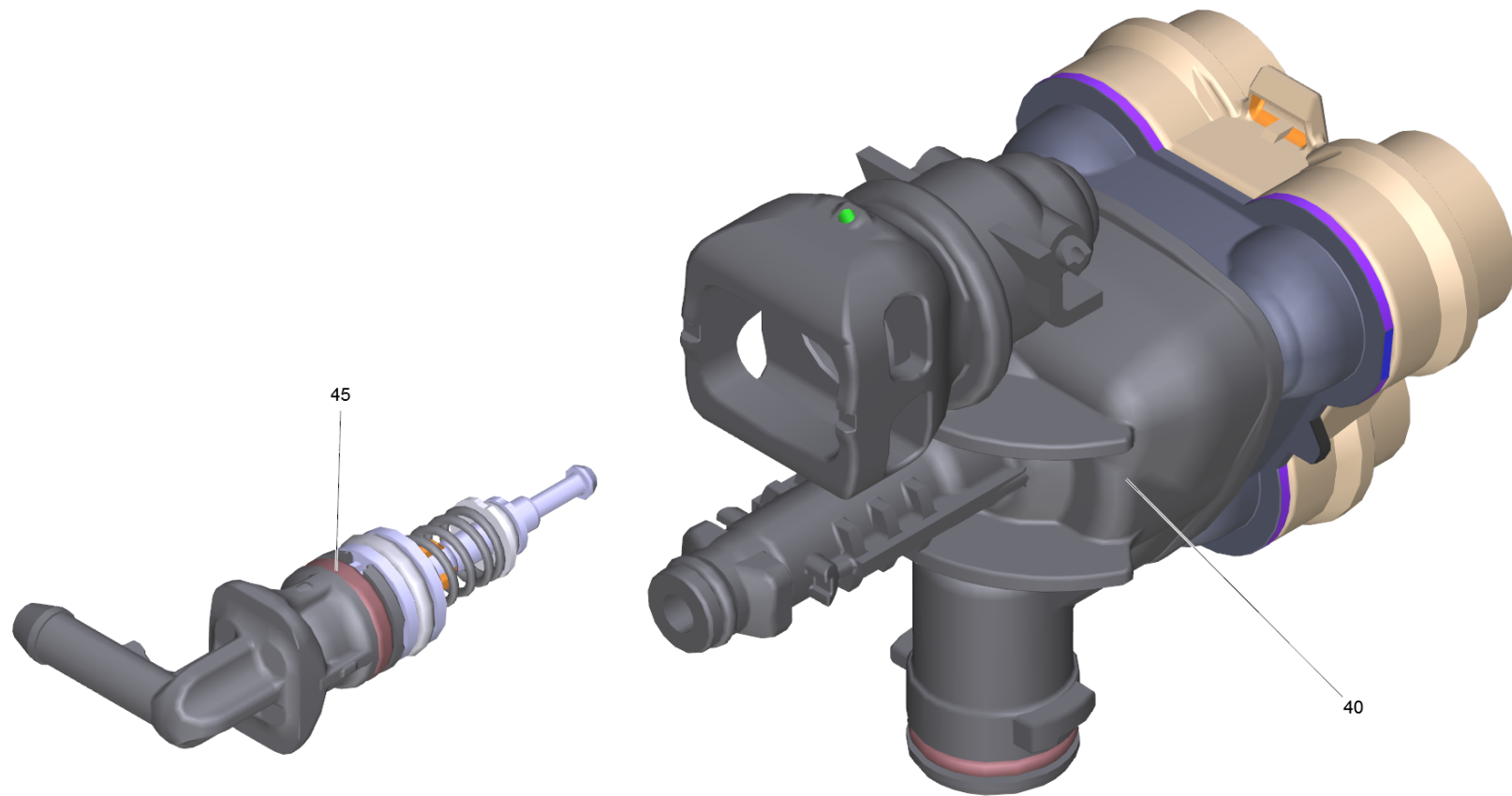
902 High-pressure outlet with clamp for repl (4.064-047.0)

POS	Article no.	Description	Quantity	Unit
1	5.037-463.0	Clamp for high-pressure outlet	1	PC
2	6.362-113.0	O-Ring seal 6,0 x 2,0 NBR 70	1	PC



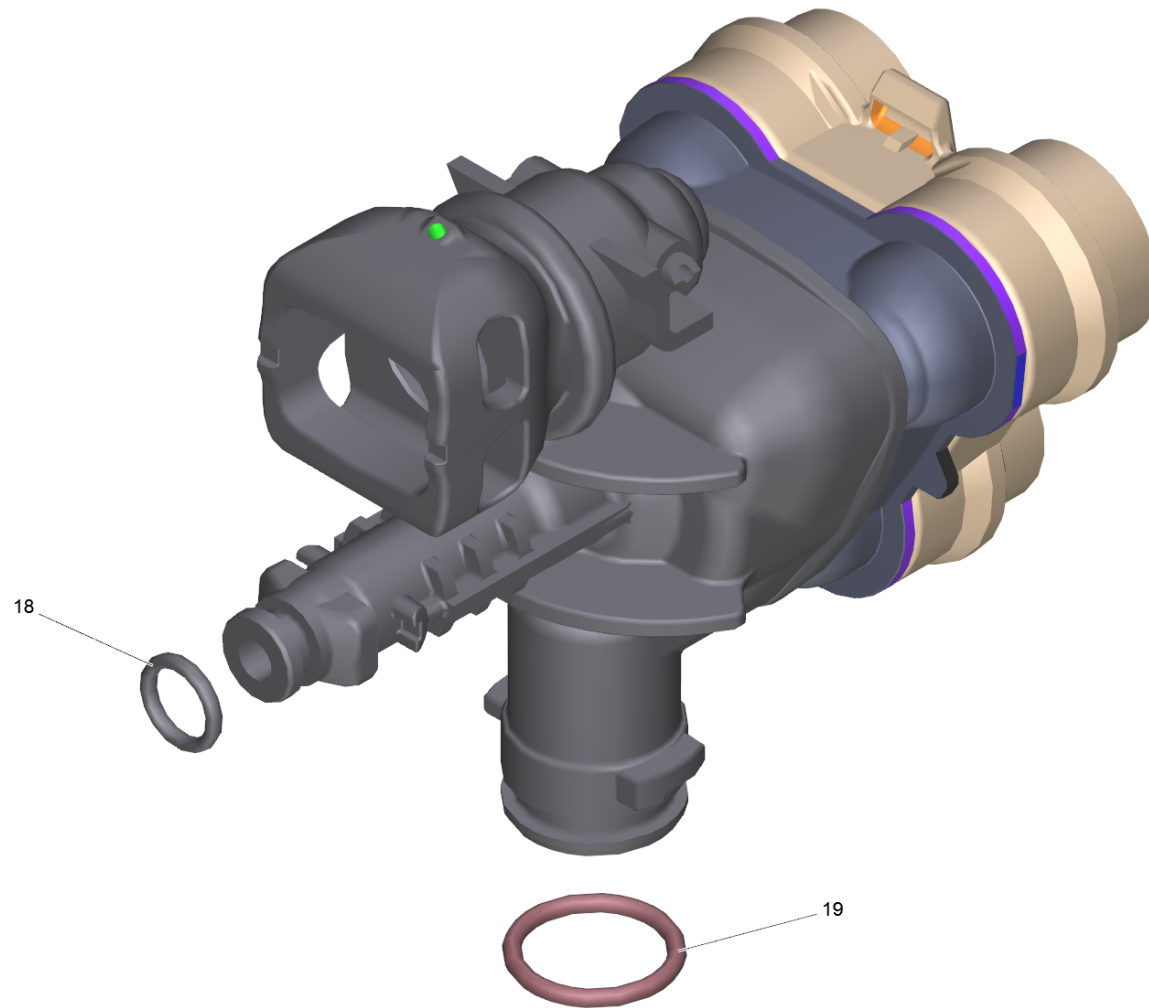
903 Cylinder head cpl. RV (K4/KHD4) (4.551-340.3)

POS	Article no.	Description	Quantity	Unit
0		Cylinder head RV (247+Stk/NC-90°/SV b.)	1	PC
42	5.051-384.0	Sheet metal component 4-fach	1	PC
43		Thrust guidance cpl. quadruple (K4/KHD4)	1	PC



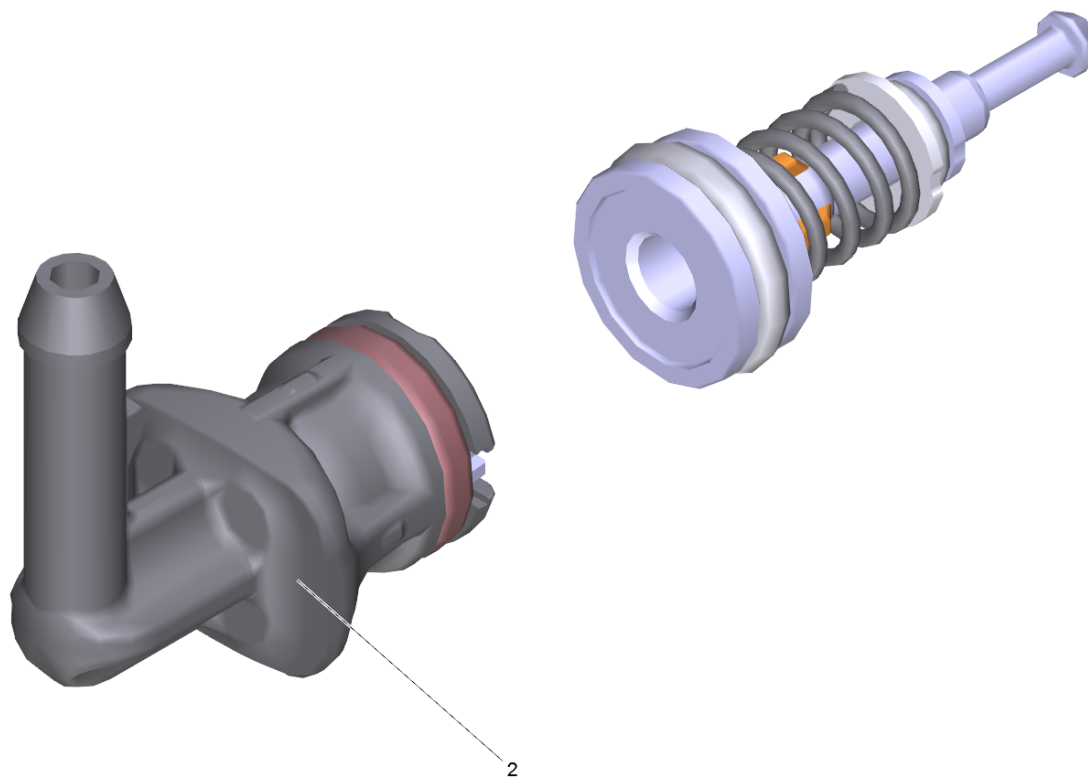
Cylinder head RV (247+Stk/NC-90°/SV b.)

POS	Article no.	Description	Quantity	Unit
40		Cylinder head RV K2 *	1	PC
45	2.885-397.0	Spare parts set control piston with nipp	1	PC



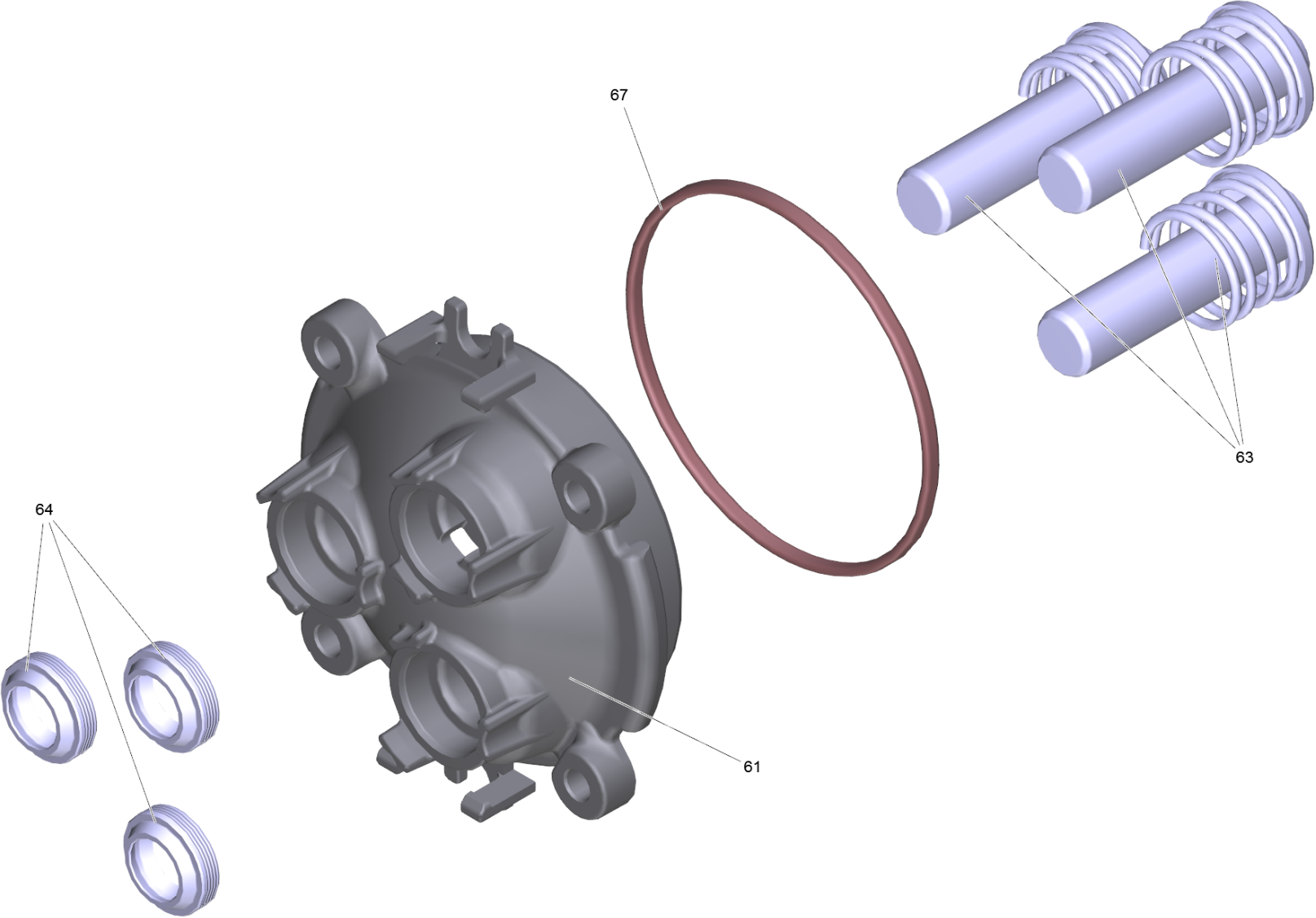
40 Cylinder head RV K2 *

POS	Article no.	Description	Quantity	Unit
18	6.362-113.0	O-Ring seal 6,0 x 2,0 NBR 70	1	PC
19	6.362-427.0	O-Ring seal 15,0x2,0	1	PC



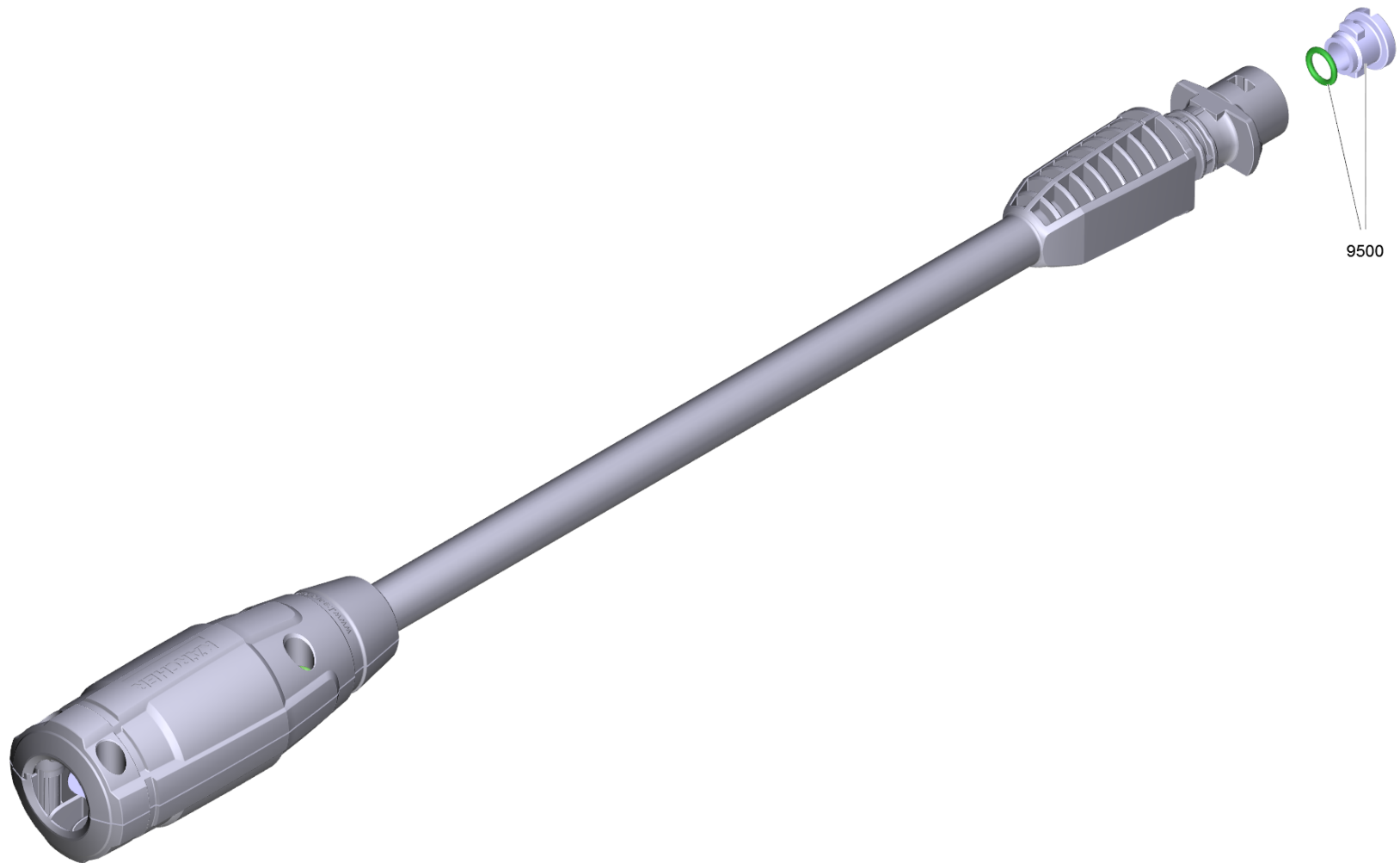
45 Spare parts set control piston with nipp (2.885-397.0)

POS	Article no.	Description	Quantity	Unit
900	6.288-088.0	Grease Molikote 55 M	1	PC
2	2.885-396.0	Spare parts set nipple chemistry RV	1	PC



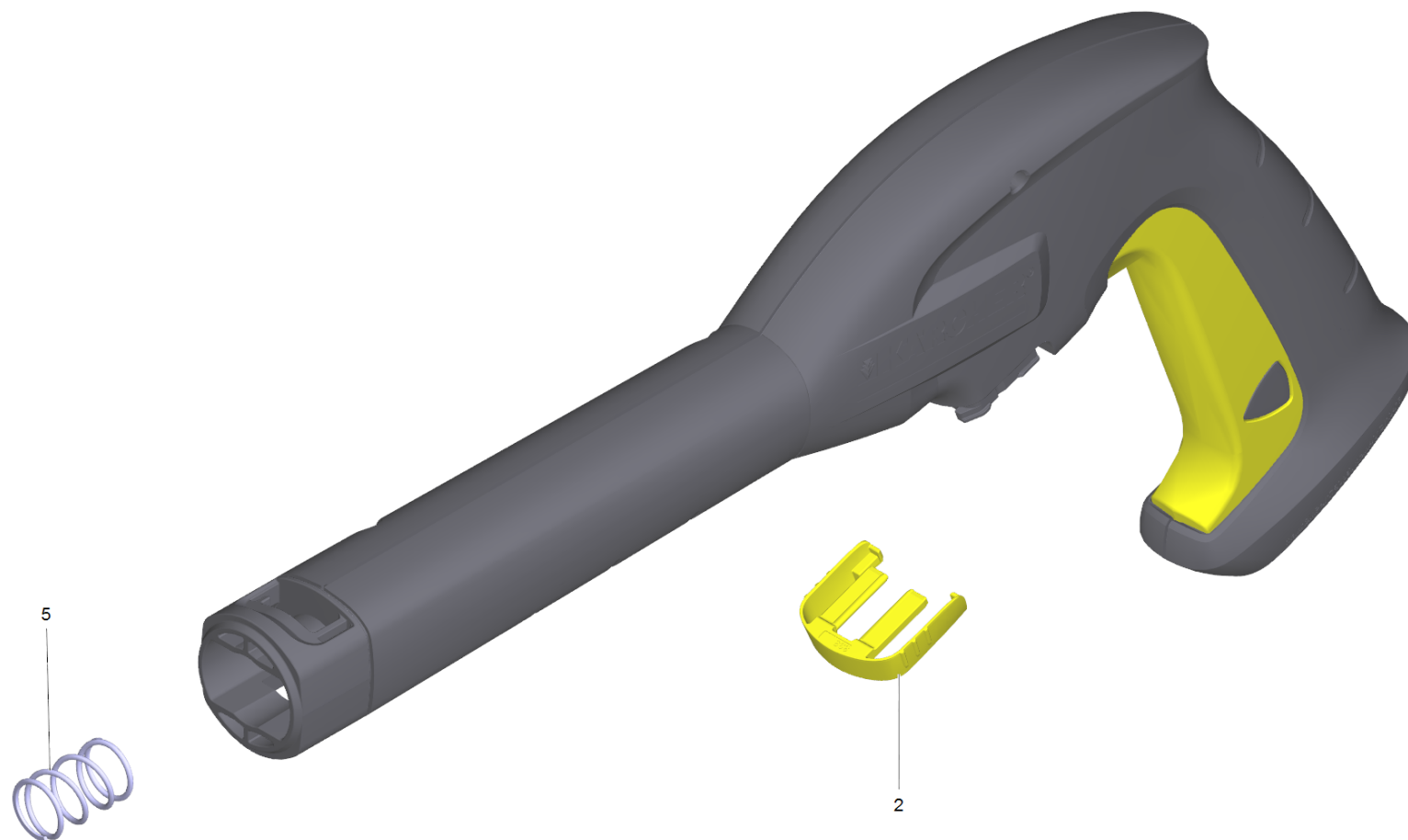
43 Thrust guidance cpl. quadruple (K4/KHD4)

POS	Article no.	Description	Quantity	Unit
64	6.365-581.0	Grooved ring oil 12x18x4/6 NBR 75 Shore A	3	PC
67	6.362-826.0	O-Ring seal 61,6x2,62	1	PC
63	4.100-899.0	Spare parts set piston with spring	3	PC
61	5.062-412.0	Thrust guidance V2 R V	1	PC



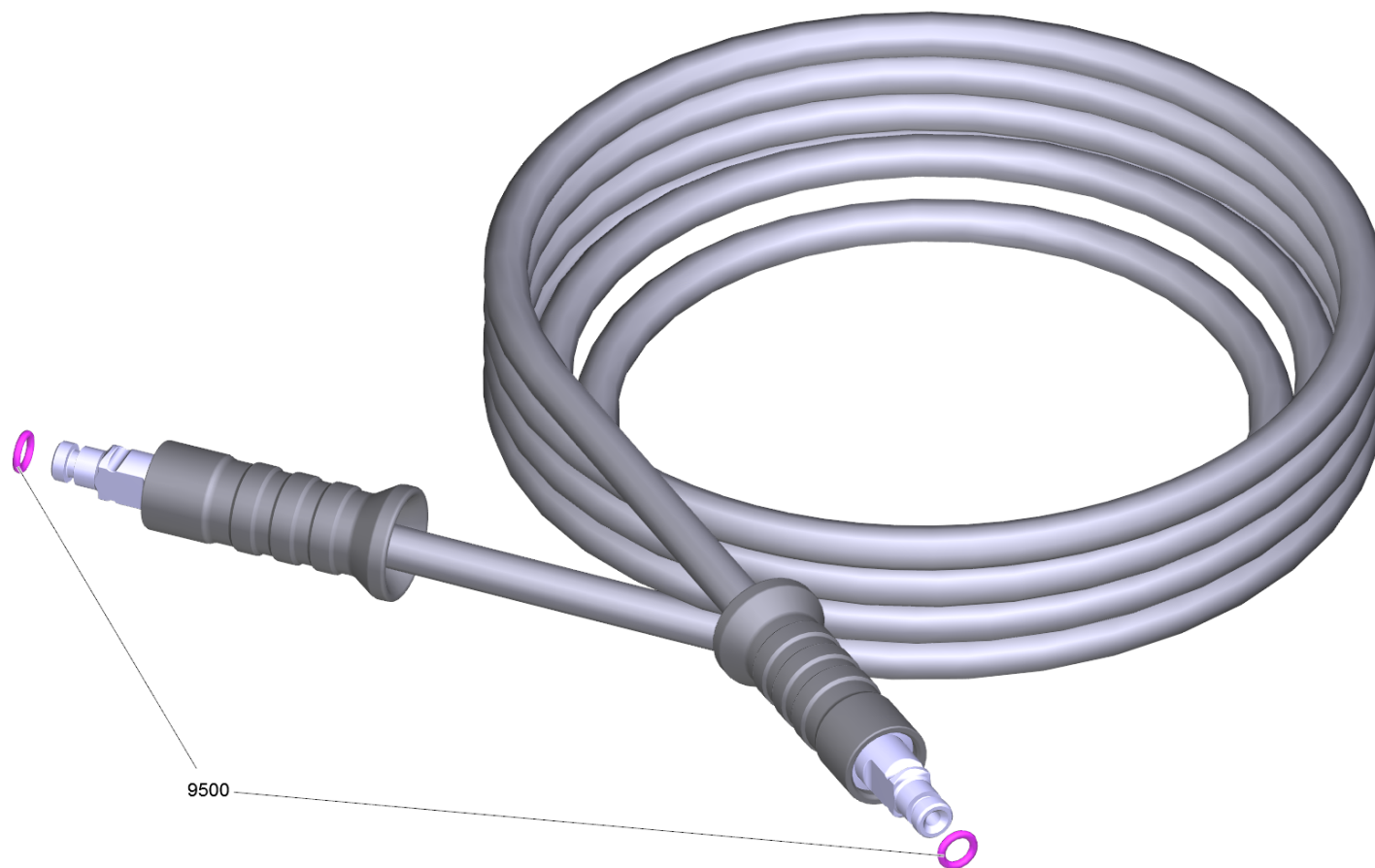
8 VPS entry 021 K (4.760-299.3)

POS	Article no.	Description	Quantity	Unit
9500	2.640-729.0	O-Ring seal set	1	PC



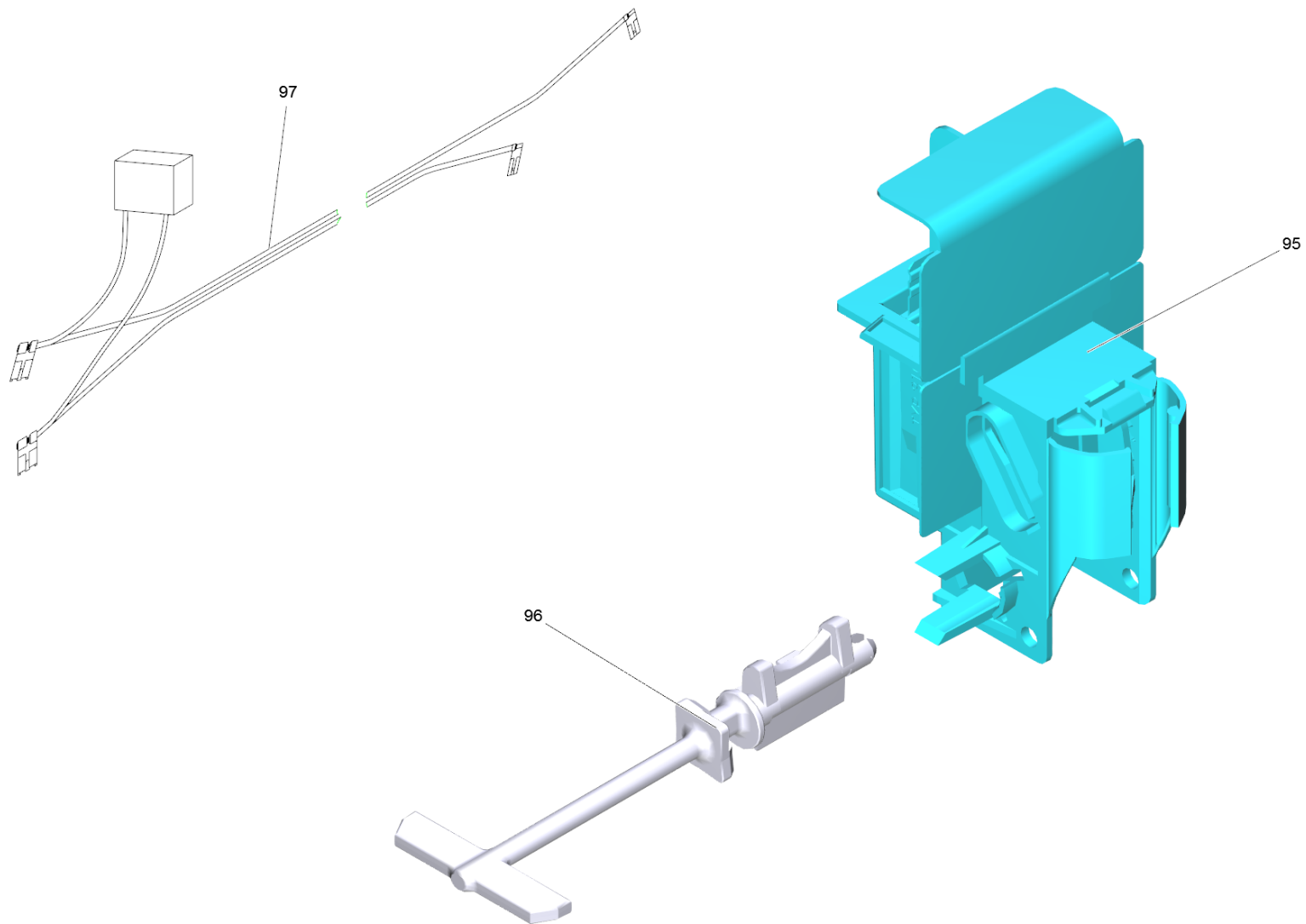
10 Pistol entry (4.775-236.3)

POS	Article no.	Description	Quantity	Unit
2	5.037-333.0	Clamp pistol Entry	1	PC
5	5.332-464.0	Pressure spring	1	PC



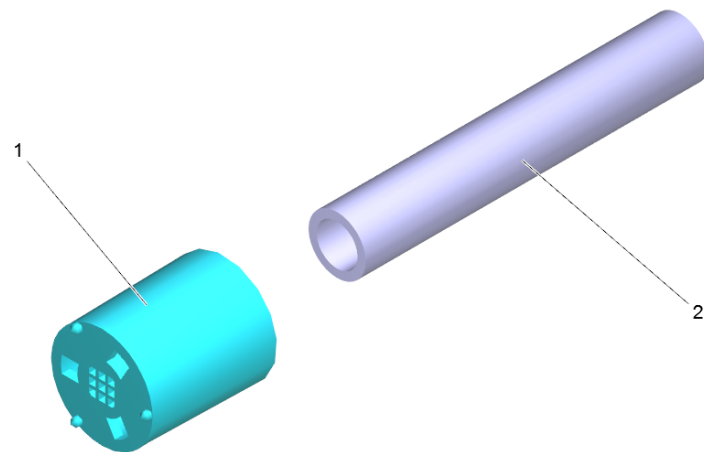
13 High pressure hose 13,5MPa/6 40°C QCS B (6.396-725.3)

POS	Article no.	Description	Quantity	Unit
9500	2.640-729.0	O-Ring seal set	1	PC



85 Switch complete RV 470nF f. K4 Comp. *EU

POS	Article no.	Description	Quantity	Unit
96	5.105-659.0	Axle UZS 75.5mm	1	PC
97	6.649-606.0	Cable with capacitor 470nF (Motor h45)	1	PC
95	6.630-768.0	Switch replacement + UL/CSA RV	1	PC



122 Filter with hose RM 0,50 *

POS	Article no.	Description	Quantity	Unit
1	5.731-652.0	Filter with weight	1	PC
2	6.388-216.0	Hose DN 5 (PVC)	0,5	m