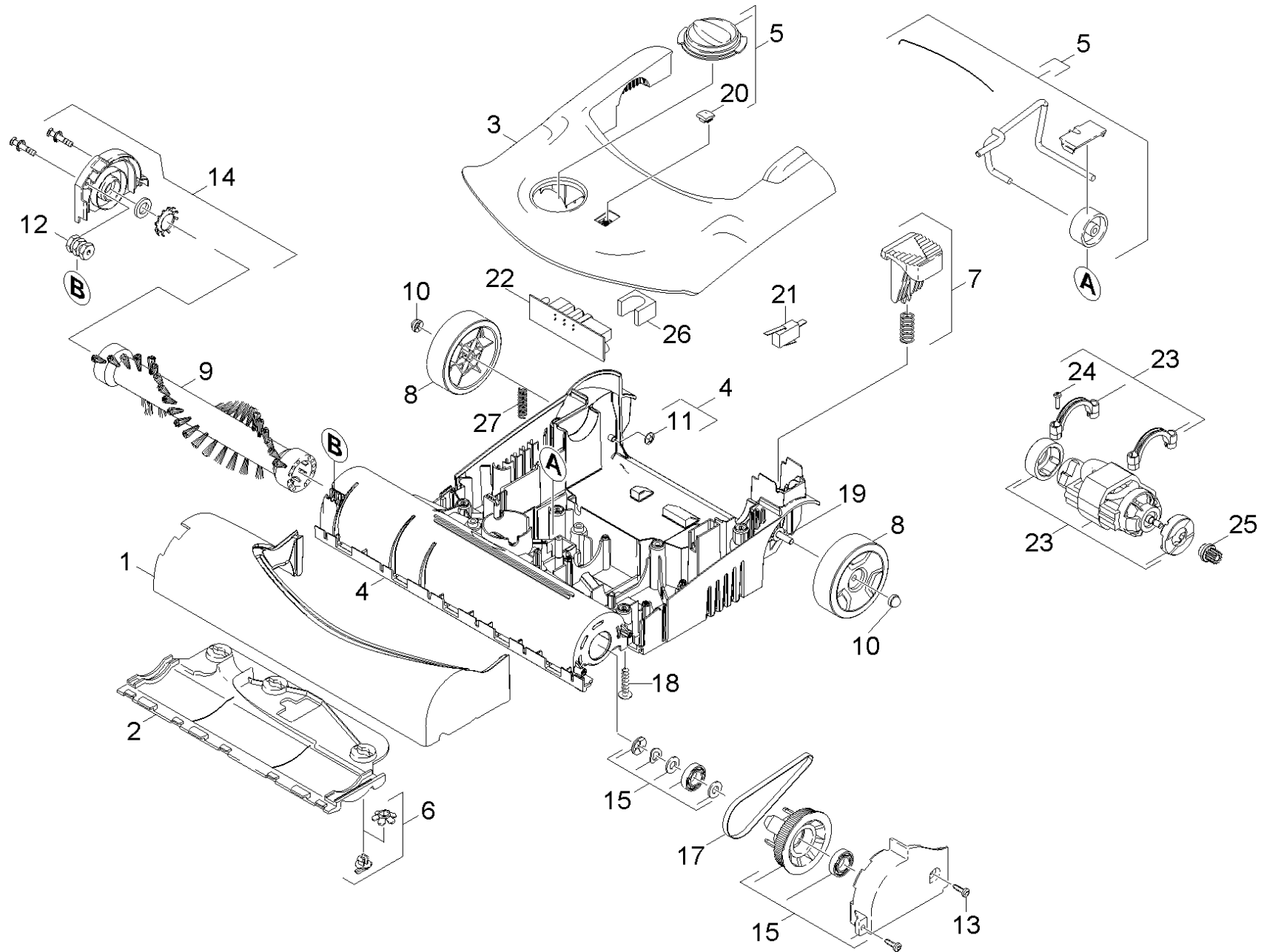


21 Brush-head

Professional \ Vacuum cleaner \ Dry vacuum cleaner \ CV 38/2 *EU \ Spare parts list CV 38/2, CV 48/2 \ Brush-head \ Brush-head



21 Brush-head

Professional \ Vacuum cleaner \ Dry vacuum cleaner \ CV 38/2 *EU \ Spare parts list CV 38/2, CV 48/2 \ Brush-head \ Brush-head

KÄRCHER

POS	Preces Nr.	Apraksts	Skaitis	Vieniba	Sērijas numurs no	Sērijas numurs līdz	Zemsvītras piezīme
17	6.348-460.0	Zobsiksna	1.000	ST	0000000000	0000000000	
11	6.343-119.0	Sprostapblāksne	2.000	ST	0000000000	0000000000	
10	6.343-187.0	Sprostapblāksne	2.000	ST	0000000000	0000000000	
27	5.332-082.0	Spirālveida atspere	1.000	ST			
2	5.033-455.0	Sliding bottom	1.000	ST	0000000000	0000000000	
12	5.401-288.0	Skrūves savienotāja daļa	2.000	ST	0000000000	0000000000	
18	6.303-200.0	Skrūve 5x25-IN6RD	8.000	ST	0000000000	0000000000	
24	7.303-096.0	Skrūve 4x22 -ST-10.9-R2R (IN6RD)	4.000	ST			
13	7.303-106.0	Skrūve 4x12 -10.9-R2R (IN6RD)	2.000	ST	0000000000	0000000000	
9	6.906-643.0	Ruļļveida birste, melna	1.000	ST	0000000000	0000000000	
8	5.515-374.0	Ritenis	2.000	ST	0000000000	0000000000	
26	6.286-573.0	Protecting cap	1.000	ST			
22	6.682-291.0	Printed circuit board 230V	1.000	ST			
25	5.033-459.0	Pinion	1.000	ST			
23	4.613-001.0	Motor complete	1.000	ST			
21	6.630-135.0	Mikroslēdzis	1.000	ST			
20	5.033-452.0	Lens	1.000	ST			
3	4.062-008.0	Housing top part complete	1.000	ST	0000000000	0000000000	
	Vienuma teksts 1: 1.033-315.0 / -316.0 / -317.0 / -319.0						
3	4.062-013.0	Housing top part complete	1.000	ST			
	Vienuma teksts 1: 1.033-321.0 / -322.0 / -323.0						
4	4.062-007.0	Housing complete	1.000	ST	0000000000	0000000000	
7	4.481-000.0	Foot pedal complete only for replacement	1.000	ST	0000000000	0000000000	BLACK
7	4.481-265.0	Foot pedal complete	1.000	ST			YELLOW
14	4.063-892.0	Covering cap complete brush Aluminiumdru	1.000	ST	0000000000	0000000000	
15	4.063-774.0	Covering cap complete belt	1.000	ST	0000000000	0000000000	
6	2.889-084.0	closure parts set	1.000	ST	0000000000	0000000000	
1	5.032-456.0	Bumper CV 38/1	1.000	ST	0000000000	0000000000	
19	9.412-178.0	Ass	1.000	ST			
5	4.515-316.0	Adjusting wheel complete	1.000	ST			
	Vienuma teksts 1: 1.033-321.0 / -322.0 / -323.0						
5	4.515-311.0	Adjusting wheel	1.000	ST	0000000000	0000000000	

21 Brush-head

Professional \ Vacuum cleaner \ Dry vacuum cleaner \ CV 38/2 *EU \ Spare parts list CV 38/2, CV 48/2 \ Brush-head \ Brush-head

KÄRCHER

POS	Preces Nr.	Apraksts	Skaitis	Vienība	Sērijas numurs no	Sērijas numurs līdz	Zemsvītras piezīme
		Vienuma teksts 1: 1.033-315.0 / -316.0 / -317.0 / -319.0					