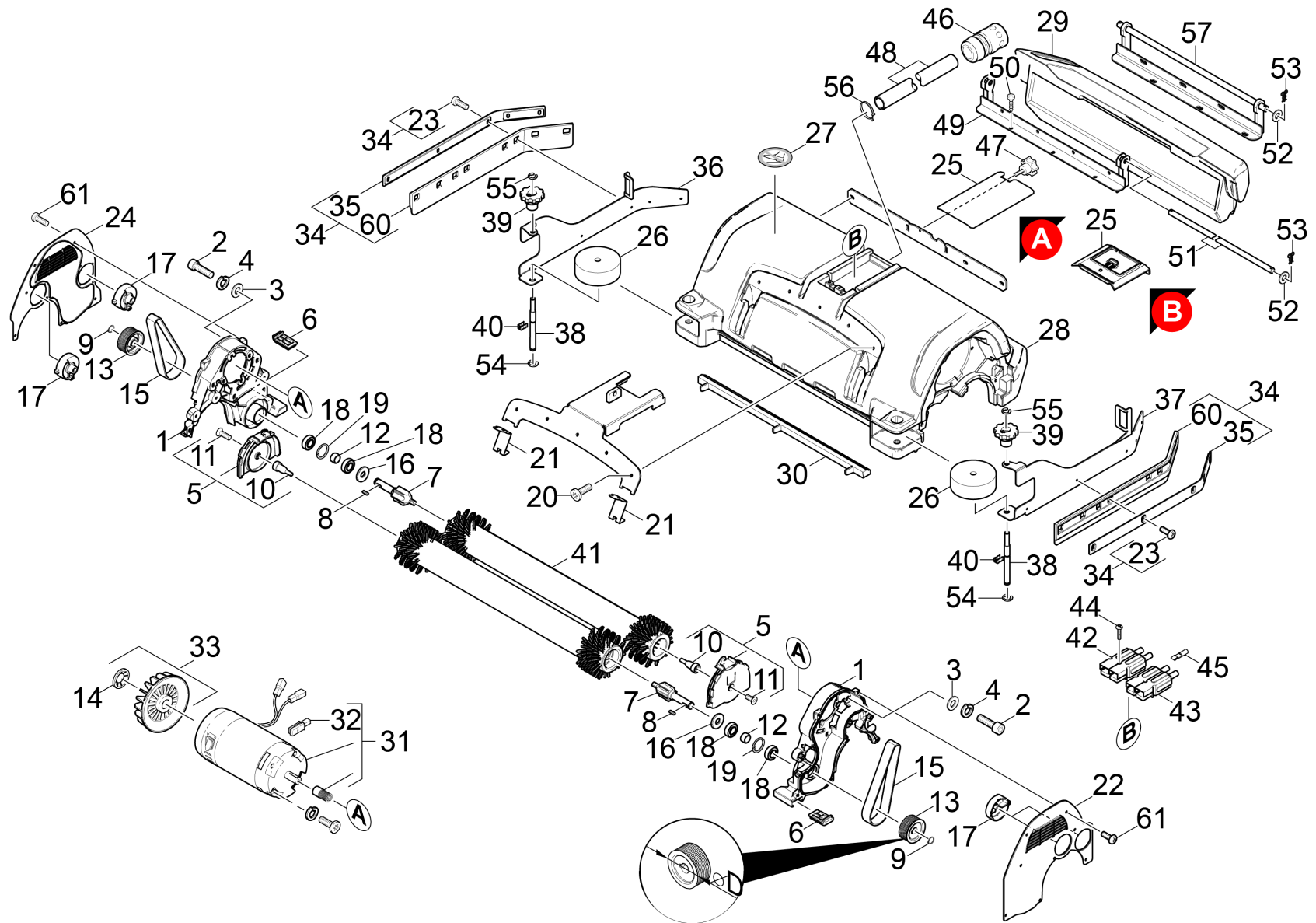


11 Power brush BR

Professional \ Floor cleaner \ Walk behind \ B 60 W Bp PACK *EU \ Documentation B 60 W \ Spare parts list BR/BD 55/65/75 \ Power brush BR \ Power brush BR



11 Power brush BR

Professional \ Floor cleaner \ Walk behind \ B 60 W Bp PACK *EU \ Documentation B 60 W \ Spare parts list BR/BD 55/65/75 \ Power brush BR \ Power brush BR



POS	Article no.	Description	Quantity	Unit	Remark	Foot note text
39	5.033-666.0	Adjustment wheel	2	PC		
18	7.401-115.0	Ball bearing 6002-2RS -WÄELZLAGST DIN 62	4	PC		VERSION 1
18	4.401-198.0	Ball bearing 6202-2RS -Wälzl.St DIN 625	4	PC		VERSION 2
51	5.107-290.0	Bar brush-head	1	PC		
13	5.625-494.3	Belt pulley 54mm	2	PC	D = 54mm	VERSION 2
13	5.625-483.0	Belt pulley 57mm	2	PC	D = 57mm	VERSION 1
33	6.613-025.0	Blower wheel	2	PC		
33	6.610-027.0	Blower wheel only for replacement Hengye	2	PC	/Hengye Motor	
10	5.116-340.0	Bolt holder-up	2	PC		
28	5.061-576.0	Brush housing BR 55	1	PC		
28	5.061-580.0	Brush housing BR 65	1	PC		
28	5.061-577.0	Brush housing BR 75	1	PC		
28	5.061-983.0	Brush housing R 90	1	PC		
12	5.116-354.0	Bush transmission BR	2	PC		VERSION 1
32	6.610-026.0	Carbon brush set	1	PC	/Hengye Motor	
32	6.610-216.0	Carbon brush set	1	ZSA	(AMER)	
32	6.610-239.0	Carbon brush set ATAS	1	PC	(ATAS)	
1	2.882-726.0	Conversion kit retainer plate transmissi	2	PC	5.625-483.0	VERSION 1
11	7.305-637.0	Countersunk screw M8x16 -A2-70 ISO 10642	2	PC		
25	5.033-403.0	Cover BR	1	PC	VERSION B	
22	5.033-241.0	Covering cap left	1	PC		
24	5.033-242.0	Covering cap right	1	PC		
2	7.306-031.0	Cylinder head screw M 6x16 A2-70 DIN 7984	10	PC		
26	5.515-267.0	Deflector roll	2	PC		
7	5.100-611.3	Driveshaft BR	2	PC		
49	4.481-239.0	Holder brush-head	1	PC	L = 446mm	
57	4.481-261.0	Holder pivot point complete BR	1	PC	L = 406mm	
49	4.481-258.0	Holder pivot point head R 55 / R 65	1	PC	L = 406mm	
56	6.388-545.0	Hose clip	1	PC		
46	2.645-191.0	Hose coupling entry Universal	1	PC		

11 Power brush BR

Professional \ Floor cleaner \ Walk behind \ B 60 W Bp PACK *EU \ Documentation B 60 W \ Spare parts list BR/BD 55/65/75 \ Power brush BR \ Power brush BR



POS	Article no.	Description	Quantity	Unit	Remark	Foot note text
16	6.363-158.0	Joint ring Nilosring	2	PC		
27	5.383-097.0	Label	1	PC		
17	5.033-665.0	Locking part	4	PC		GREY
21	5.033-664.0	Locking part tension rod	2	PC		GREY
9	7.343-015.0	Locking ring 15x1-FST-RF DIN 471	2	PC		
19	7.343-231.0	Locking ring 32x1,2 -St-ph DIN 472	2	PC		VERSION 1
19	7.343-017.0	Locking ring 35x1,5-FST-PHR DIN 472	2	PC		VERSION 2
55	7.343-302.0	Lock washer 8 -St-ph DIN 6799	2	PC		
54	7.343-047.0	Lock washer 10-FST-A2E DIN 6799	2	PC		
31	4.623-920.0	Motor complete nur fuer Ersatz	2	PC	24V//600W/ATAS Motor	VERSION 1
31	4.623-927.0	Motor complete only for replacement	2	PC	24V//750W - B 140 R	VERSION 2
31	4.623-017.0	Motor complete only for replacement Heng	2	PC	24V//600W/ATAS Motor	VERSION 2
8	7.318-002.0	Parallel key A 5x5x16-C45K DIN 6885-1	2	PC		
43	6.643-048.0	Plug blue complete 75A 12mm ²	2	PC		
42	6.643-047.0	Plug red complete 75A 12mm ²	2	PC		
14	6.343-149.0	Quick-fastener	2	PC		
1	5.044-866.0	Retainer plate transmission	2	PC	5.625-494.0	VERSION 2
35	4.007-009.0	Retainer strip rubber lip stainless stee	2	PC		reinforced
35	5.044-867.0	Retainer strip splash guard	2	PC		STANDARD
37	5.009-402.0	Retaining plate left scraper lip	1	PC		
36	5.009-401.0	Retaining plate right scraper lip	1	PC		
15	6.348-442.0	Ribbed v-belt	2	PC	432mm	VERSION 1
15	6.348-456.0	Ribbed v-belt	2	PC	425mm	VERSION 2
6	5.056-010.0	Rocker BR-VS	2	PC		
41	6.906-980.0	Roller brush black - BR 55	2	PC		
41	6.906-984.0	Roller brush black - BR 65	2	PC		
41	6.906-979.0	Roller brush green - BR 55	2	PC		
41	6.906-983.0	Roller brush green - BR 65	2	PC		
41	6.907-731.0	Roller brush green - R75	2	PC		
41	6.906-978.0	Roller brush orange - BR 55	2	PC		
41	6.906-982.0	Roller brush orange - BR 65	2	PC		
41	6.907-414.0	Roller brush red BR65	2	PC		

11 Power brush BR

Professional \ Floor cleaner \ Walk behind \ B 60 W Bp PACK *EU \ Documentation B 60 W \ Spare parts list BR/BD 55/65/75 \ Power brush BR \ Power brush BR



POS	Article no.	Description	Quantity	Unit	Remark	Foot note text
41	4.035-578.0	Roller brush red for replacement - R75	2	PC		
41	4.035-578.0	Roller brush red for replacement - R75	2	PC		
41	4.035-578.0	Roller brush red for replacement - R75	2	PC		
41	4.035-578.0	Roller brush red for replacement - R75	2	PC		
41	4.035-578.0	Roller brush red for replacement - R75	2	PC		
41	4.035-578.0	Roller brush red for replacement - R75	2	PC		
41	4.035-578.0	Roller brush red for replacement - R75	2	PC		
41	4.035-578.0	Roller brush red for replacement - R75	2	PC		
41	4.035-193.0	Roller brush red for replacement BR 55	2	PC		
41	4.035-187.0	Roller brush red for replacement BR65	2	PC		
41	6.906-977.0	Roller brush white - BR 55	2	PC		
41	6.906-981.0	Roller brush white - BR 65	2	PC		
41	6.907-729.0	Roller brush white - R75	2	PC		
44	7.303-107.0	Screw 5x16 -10.9-P2R (K-In6Rd)	3	PC		
50	7.303-112.0	Screw 6x20 -10.9-R2R (In6Rd)	6	PC		
61	6.303-029.0	Screw EJOT ALtracs Plus 50x10 A2	17	PC		
23	6.303-192.0	Screw M5x12 TX TAPTITE2000	10	PC		
20	7.303-047.0	Screw M6x16 -St-R3R (In6Rd)	5	PC		
5	2.763-032.0	Set holder-up replacement	2	PC		
34	4.071-228.0	Set splash guard onesided	2	PC		STANDARD
34	4.071-003.0	Set splash guard reinforced	2	PC		reinforced
12	5.116-413.0	Sleeve	2	PC		VERSION 2
48	6.390-892.0	Spiral hose NW12	1	m		TO ORDER AS CUT GOODS
60	5.394-911.0	Splash guard reinforced	2	PC		reinforced
40	6.330-407.0	Spring clip	2	PC		
53	6.313-022.0	Spring clip	2	PC		
4	7.313-003.0	Spring washer B6-FSt-A3E DIN 127	10	PC		
47	6.321-004.0	Star grip M5x10	1	PC		
17	7.777-999.0	Stockpiling discontinued	4	PC		YELLOW
21	7.777-999.0	Stockpiling discontinued	2	PC		YELLOW
25	7.777-999.0	Stockpiling discontinued	1	PC	VERSION A	
30	5.190-014.0	Strip water distributor	1	PC	R 65	YELLOW
30	5.190-013.0	Strip water distributor BR 55	1	PC	R 55	YELLOW

11 Power brush BR

Professional \ Floor cleaner \ Walk behind \ B 60 W Bp PACK *EU \ Documentation B 60 W \ Spare parts list BR/BD 55/65/75 \ Power brush BR \ Power brush BR

KÄRCHER

POS	Article no.	Description	Quantity	Unit	Remark	Foot note text
30	5.190-018.0	Strip water distributor BR 75	1	PC	R 75	YELLOW
30	5.190-002.0	Strip water distributor R 90	1	PC	R 90	YELLOW
45	6.646-979.0	Switch contact 6 mm ²	4	PC		
29	5.075-039.0	Tank refuse BR 55	1	PC		
29	5.075-040.0	Tank refuse BR 65	1	PC		
29	5.075-041.0	Tank refuse BR 75	1	PC		
29	5.075-042.0	Tank refuse BR 90	1	PC		
38	5.116-339.0	Threaded bolt	2	PC		
3	7.312-026.0	Washer 6 -A2 ISO 7089	10	PC		
52	7.312-008.0	Washer 12-200HV-A2K ISO 7089	2	PC		