

Spare parts list

(4.762-010.0) Wet jet unit

Table of contents

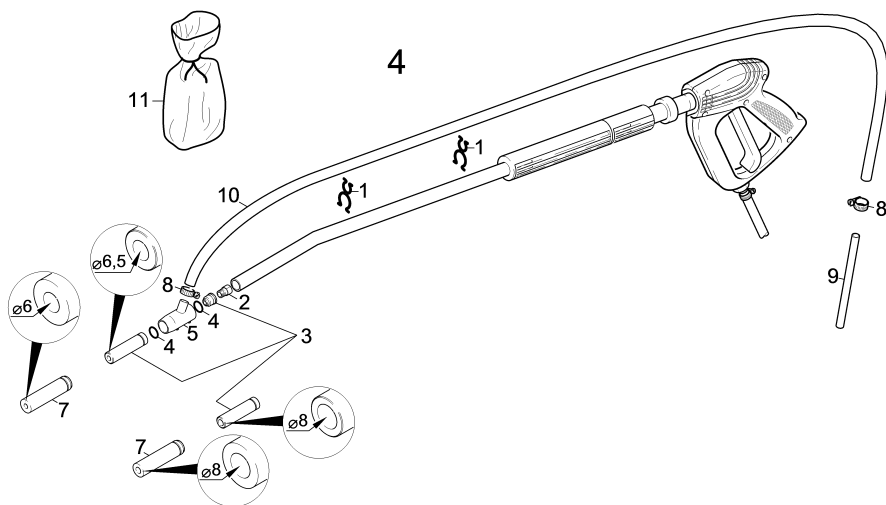
Wet jet unit (4.762-010.0)	3
25 Spare parts list add-on kit wet jet unit (0.081-874.0)	4
10 Wet jet unit	5
3 Nozzle pack (2.637-900.0)	7
3 Nozzle pack wet jet set (2.637-901.0)	9
3 Nozzle pack wet jet set (2.637-902.0)	11
3 Nozzle pack (2.637-903.0)	13
3 Nozzle pack wet jet set (2.637-904.0)	15
3 NOZZLE PACK (2.637-905.0)	17
3 NOZZLE PACK (2.637-905.0)	19
3 NOZZLE PACK (2.637-906.0)	21
3 Nozzle pack (2.637-907.0)	23
3 Nozzle pack wet jet set (2.637-908.0)	25
3 Nozzle pack wet jet unit (2.637-909.0)	27
3 NOZZLE PACK (2.637-910.0)	29
3 Nozzle pack wet jet set (2.638-526.0)	31

Wet jet unit (4.762-010.0)

POS	Article no.	Description	Quantity	Unit
25	0.081-874.0	Spare parts list add-on kit wet jet unit	1.000	ST

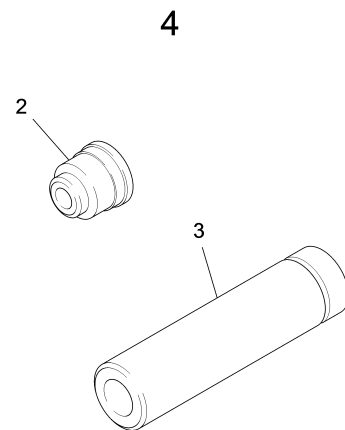
25 Spare parts list add-on kit wet jet unit (0.081-874.0)

POS	Description	Quantity	Unit
10	Wet jet unit	1.000	ST



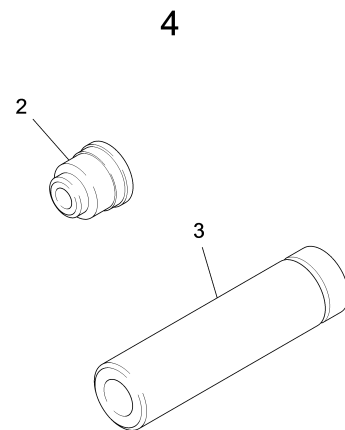
10 Wet jet unit

POS	Article no.	Description	Quantity	Unit	Remark
11	6.295-565.0	Abrasive coarse ** 25 kg	1.000	ST	
1	6.373-049.0	Clamp clip	2.000	ST	
8	7.373-023.0	Hose clip A 16-27x9-W4 DIN 3017	2.000	ST	
10	6.388-249.0	Hose DN15	1.000	ZST	
5	4.633-006.0	Mixer	1.000	ST	
7	6.415-083.0	Nozzle D8	1.000	ST	
3	2.637-903.0	Nozzle pack	1.000	ST	Nozzle size 55
3	2.637-900.0	Nozzle pack	1.000	ST	Nozzle size 40
3	2.637-910.0	NOZZLE PACK	1.000	ST	Nozzle size 100
3	2.637-907.0	Nozzle pack	1.000	ST	Nozzle size 80
3	2.637-906.0	NOZZLE PACK	1.000	ST	Nozzle size 70
3	2.637-905.0	NOZZLE PACK	1.000	ST	
3	2.637-905.0	NOZZLE PACK	1.000	ST	Nozzle size 65
3	2.638-526.0	Nozzle pack wet jet set	1.000	ST	Nozzle size 35
3	2.637-908.0	Nozzle pack wet jet set	1.000	ST	Nozzle size 80
3	2.637-901.0	Nozzle pack wet jet set	1.000	ST	Nozzle size 45
3	2.637-904.0	Nozzle pack wet jet set	1.000	ST	Nozzle size 60
3	2.637-902.0	Nozzle pack wet jet set	1.000	ST	Nozzle size 50
3	2.637-909.0	Nozzle pack wet jet unit	1.000	ST	Nozzle size 90
7	6.415-084.0	Nozzle round D6,0	1.000	ST	
4	7.362-500.0	O-Ring seal 25x2,5-NBR 70 DIN 3770	2.000	ST	
2	5.402-185.0	Screw union	1.000	ST	
9	7.777-999.0	Stockpiling discontinued	1.000	ST	
9	4.025-038.0	Tube	1.000	ST	



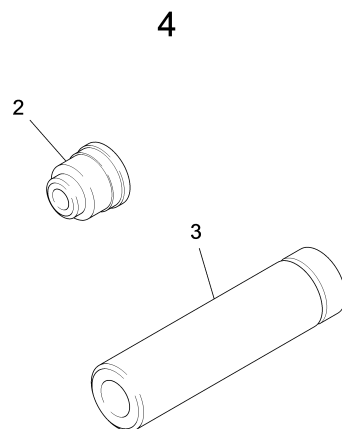
3 Nozzle pack (2.637-900.0)

POS	Article no.	Description	Quantity	Unit
3	5.769-011.0	Nozzle insert	1.000	ST
2	4.765-029.0	Spray nozzle	1.000	ST



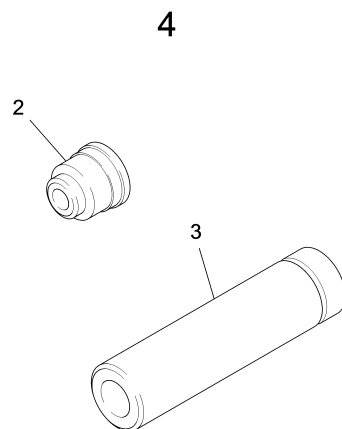
3 Nozzle pack wet jet set (2.637-901.0)

POS	Article no.	Description	Quantity	Unit
3	5.769-011.0	Nozzle insert	1.000	ST
2	4.765-022.0	Spray nozzle	1.000	ST



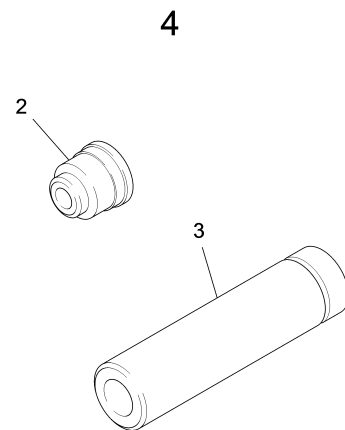
3 Nozzle pack wet jet set (2.637-902.0)

POS	Article no.	Description	Quantity	Unit
3	5.769-011.0	Nozzle insert	1.000	ST
2	4.765-026.0	Spray nozzle 05	1.000	ST



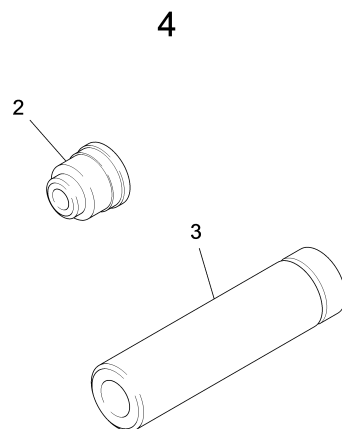
3 Nozzle pack (2.637-903.0)

POS	Article no.	Description	Quantity	Unit
3	5.769-011.0	Nozzle insert	1.000	ST
2	4.765-021.0	Spray nozzle 0055	1.000	ST



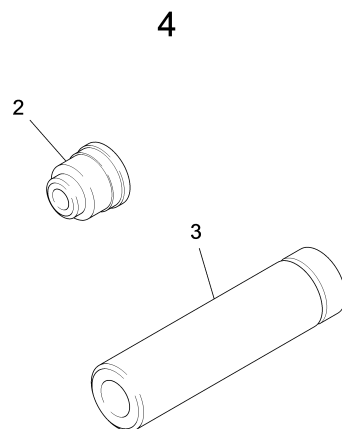
3 Nozzle pack wet jet set (2.637-904.0)

POS	Article no.	Description	Quantity	Unit
3	5.769-011.0	Nozzle insert	1.000	ST
2	4.765-015.0	Spray nozzle	1.000	ST



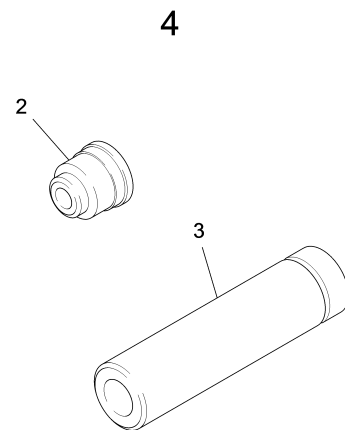
3 NOZZLE PACK (2.637-905.0)

POS	Article no.	Description	Quantity	Unit
3	5.769-011.0	Nozzle insert	1.000	ST
2	4.765-027.0	Spray nozzle 065	1.000	ST



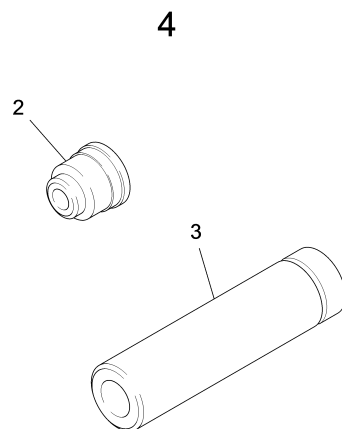
3 NOZZLE PACK (2.637-905.0)

POS	Article no.	Description	Quantity	Unit
3	5.769-011.0	Nozzle insert	1.000	ST
2	4.765-027.0	Spray nozzle 065	1.000	ST



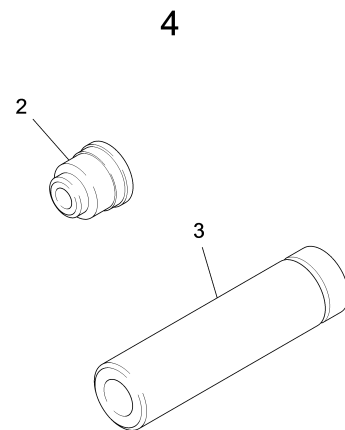
3 NOZZLE PACK (2.637-906.0)

POS	Article no.	Description	Quantity	Unit
3	5.769-011.0	Nozzle insert	1.000	ST
2	4.765-011.0	Spray nozzle	1.000	ST



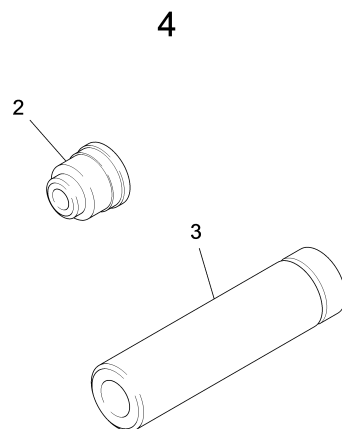
3 Nozzle pack (2.637-907.0)

POS	Article no.	Description	Quantity	Unit
3	5.769-011.0	Nozzle insert	1.000	ST
2	4.765-018.0	Spray nozzle	1.000	ST



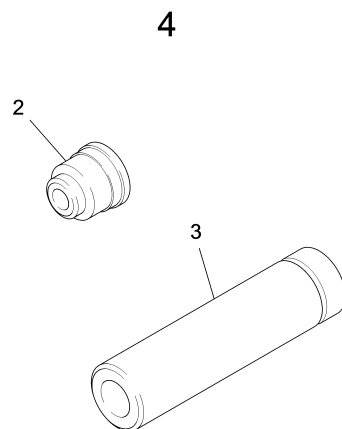
3 Nozzle pack wet jet set (2.637-908.0)

POS	Article no.	Description	Quantity	Unit
3	5.769-010.0	Nozzle insert	1.000	ST
2	4.765-018.0	Spray nozzle	1.000	ST



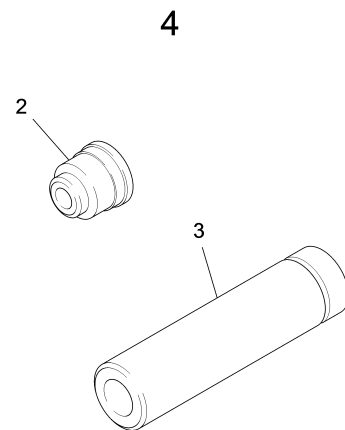
3 Nozzle pack wet jet unit (2.637-909.0)

POS	Article no.	Description	Quantity	Unit
3	5.769-010.0	Nozzle insert	1.000	ST
2	4.765-028.0	Spray nozzle 09	1.000	ST



3 NOZZLE PACK (2.637-910.0)

POS	Article no.	Description	Quantity	Unit
3	5.769-010.0	Nozzle insert	1.000	ST
2	4.765-009.0	Spray nozzle	1.000	ST



3 Nozzle pack wet jet set (2.638-526.0)

POS	Article no.	Description	Quantity	Unit
3	5.769-011.0	Nozzle insert	1.000	ST
2	4.765-033.0	Spray nozzle	1.000	ST