

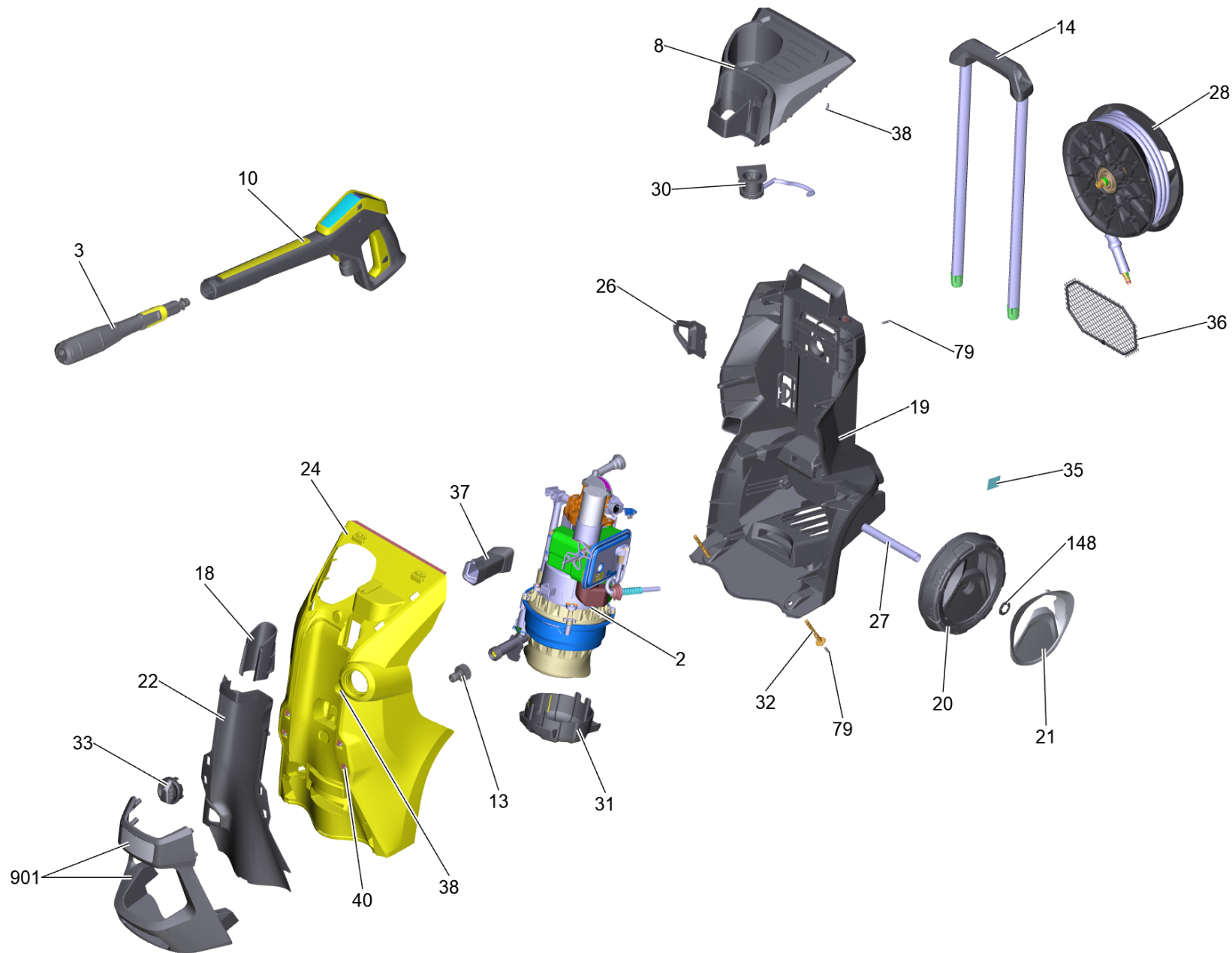
## **Spare parts list**

(1.317-235.0) K 7 Premium Smart Control Flex \*EU

## Table of contents

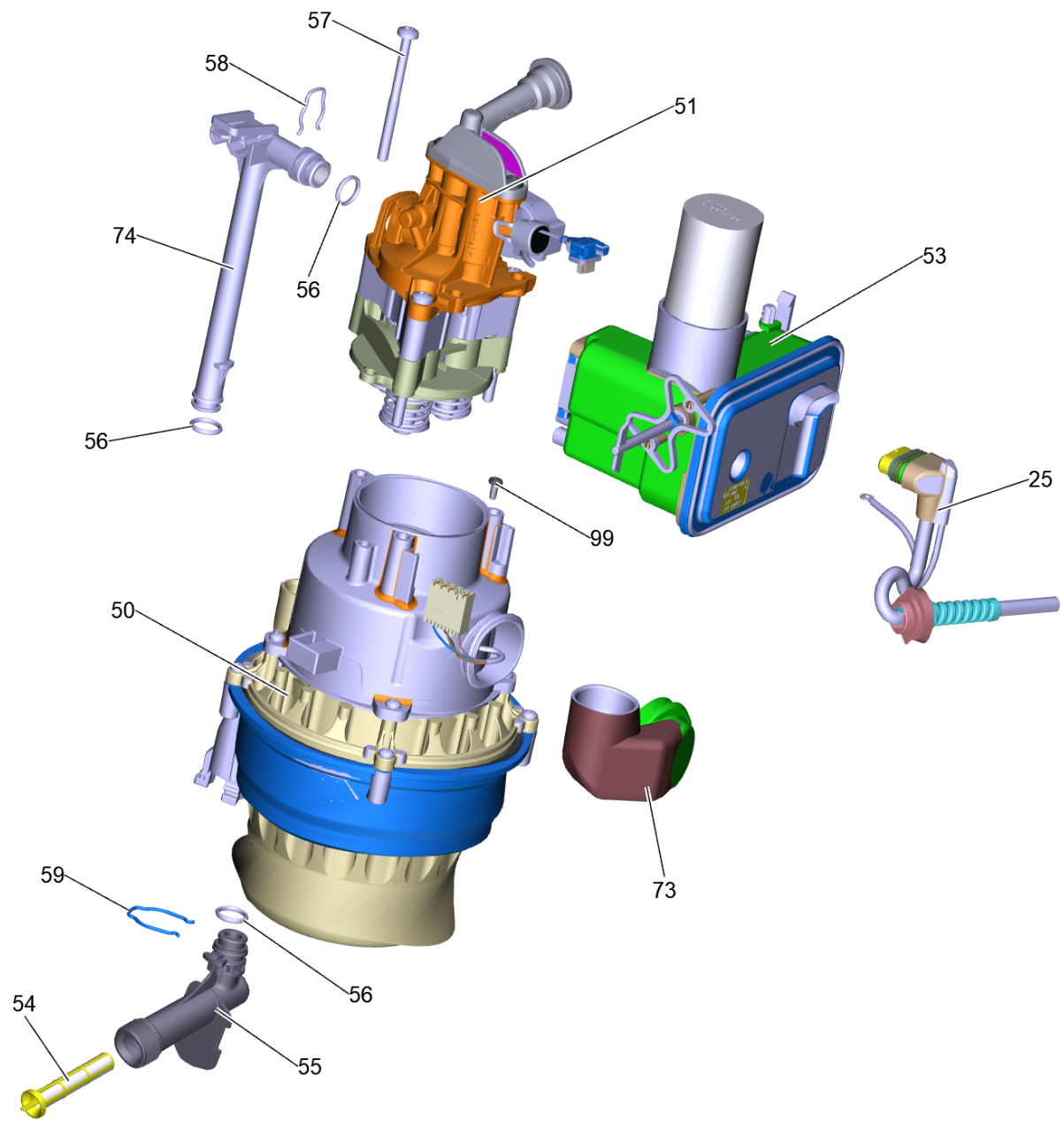
---

K 7 Premium Smart Control Flex *EU (1.317-235.0)	3
2 Pump set complete K7 Smart *EU	5
50 Transmission complete K7 Smart (4.551-286.3)	7
51 Pump head complete K7 Smart	9
101 Piston guidance complete	11
104 Valve pin complete (4.584-022.0)	13
9000 Spare parts set excess-current (2.885-186.0)	15
103 Control piston complete replacement (2.885-408.0)	17
9001 Nozzle insert only for replacement (4.769-034.0)	19
53 Electric box complete K7 Smart *EU (4.800-015.3)	21
3 MJ 180 3-in-1 Multi Jet Full Control (2.643-907.0)	23
10 G 180 Q Smart Control (2.644-270.0)	25
14 Handhold complete	27
28 Hose reel high-pressure complete Flex	29
16 High pressure hose 18MPa/10 60°C QC G (6.396-536.0)	31
9001 Spare parts set hollow shaft (2.885-472.0)	33



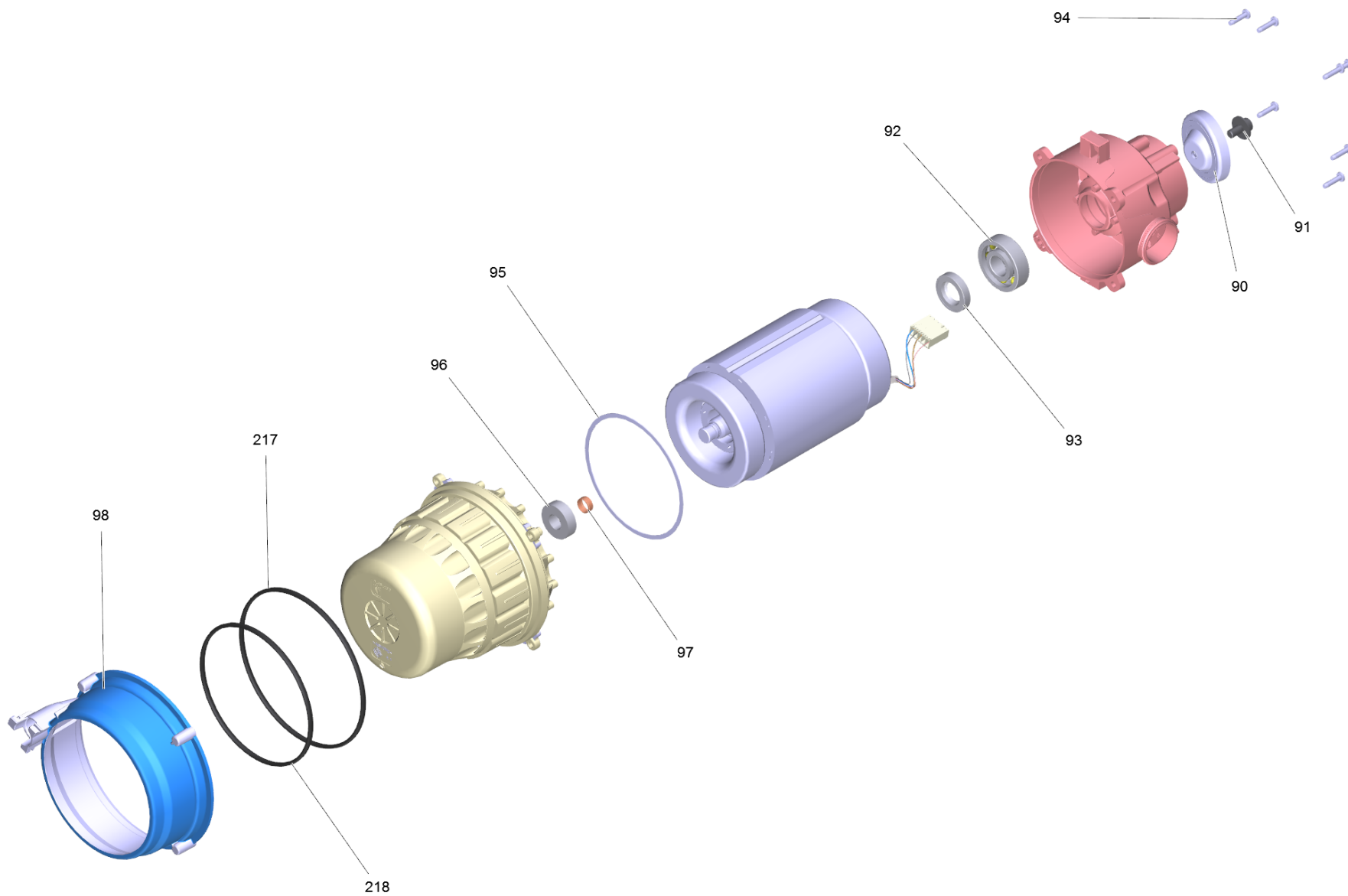
K 7 Premium Smart Control Flex \*EU (1.317-235.0)

POS	Article no.	Description	Quantity	Unit
2		Pump set complete K7 Smart *EU	1	PC
3	2.643-907.0	MJ 180 3-in-1 Multi Jet Full Control	1	PC
8	5.044-342.0	Covering cap above	1	PC
10	2.644-270.0	G 180 Q Smart Control	1	PC
13	6.465-031.0	Connection 3/4	1	PC
14		Handhold complete	1	PC
18	5.044-486.0	Holder accessories	1	PC
19	5.044-331.3	Chassis rear	1	PC
20	5.515-071.0	Wheel D200	2	PC
21	2.885-473.0	Spare parts set screen wheel	1	PC
22	5.052-089.3	Screen front	1	PC
24	5.052-088.3	Cover	1	PC
26	5.332-026.0	Hose guide external	1	PC
27	5.105-361.0	Axle L=310	1	PC
28		Hose reel high-pressure complete Flex	1	PC
30	9.013-417.0	RM retainer station compl. FC	1	PC
31	5.322-164.0	Holder pump set	1	PC
32	5.317-896.0	Bolt stand foot	2	PC
33	9.048-123.0	2K KNOB black	1	PC
35	5.387-620.0	Warning sticker-Prevent from freezing	1	PC
36	9.038-490.3	Grid accessories	1	PC
37	5.322-167.0	Hose guide	1	PC
38	7.303-106.0	Screw 4x12 -10.9-R2R (IN6RD)	4	PC
40	7.303-107.0	Screw 5x16 -10.9-P2R (K-In6Rd)	4	PC
79	6.303-150.0	Screw 4,2x 22	11	PC
148	6.343-168.0	Lock washer	2	PC
901	4.100-817.0	Spare parts set stand foot logo K7	1	PC



## 2 Pump set complete K7 Smart \*EU

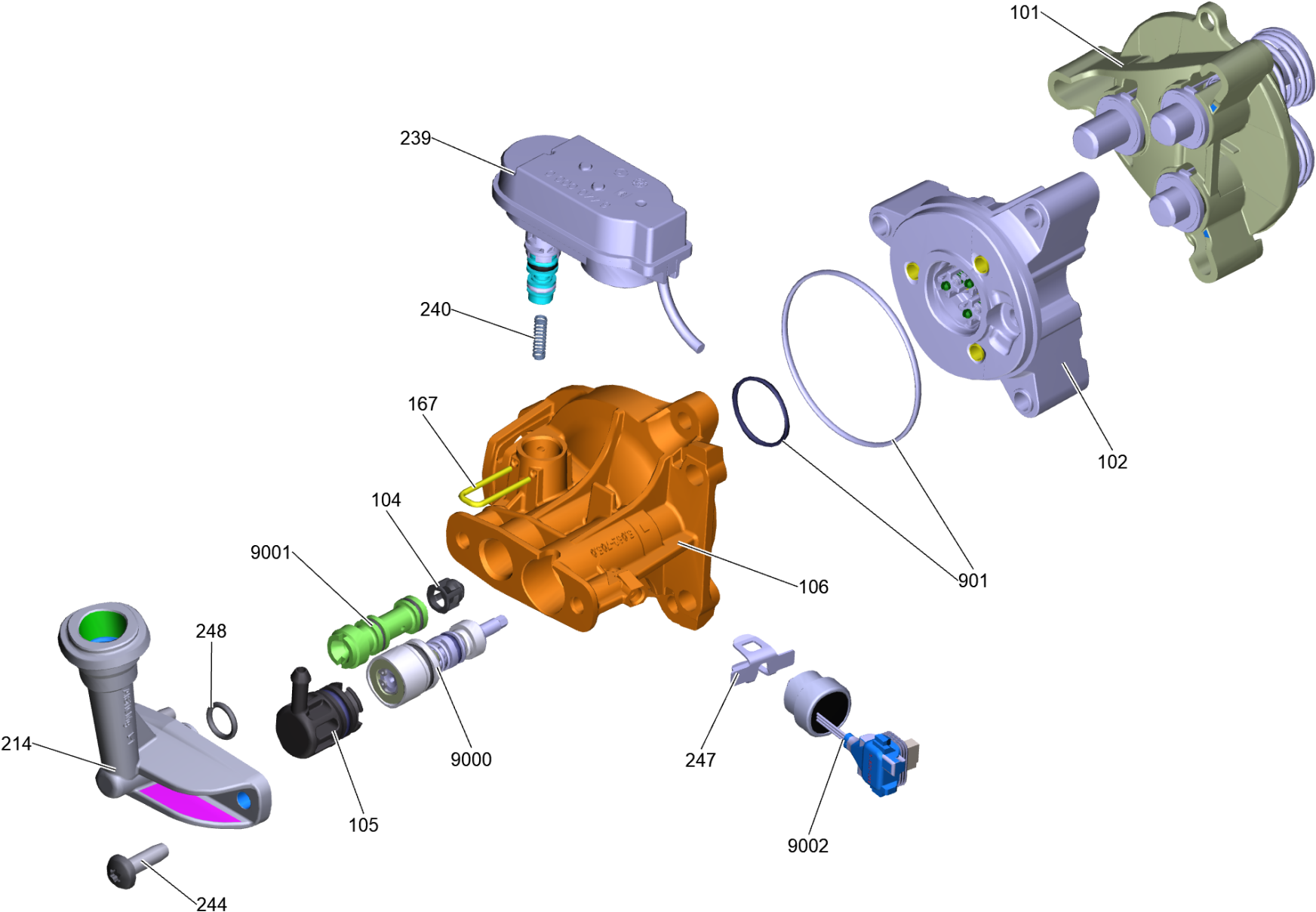
POS	Article no.	Description	Quantity	Unit
25	6.650-486.3	Cable with plug *EU	1	PC
50	4.551-286.3	Transmission complete K7 Smart	1	PC
51		Pump head complete K7 Smart	1	PC
53	4.800-015.3	Electric box complete K7 Smart *EU	1	PC
54	5.731-011.0	Fine filter	1	PC
55	5.443-015.0	Tube intake	1	PC
56	6.363-610.0	O-Ring seal 13 x 3 -NBR	3	PC
57	6.303-042.0	Screw M6x80	3	PC
58	5.048-915.0	Clamp	1	PC
59	5.048-065.0	Clamp pipe intake	1	PC
73	5.363-827.0	Connection electric box A-bearing plate	1	PC
74	5.443-654.0	Tube Ruecklauf WCM K7 D117	1	PC
99	7.303-031.0	Screw M4x10 -St-P2R (In6Rd)	1	PC



## 50 Transmission complete K7 Smart (4.551-286.3)

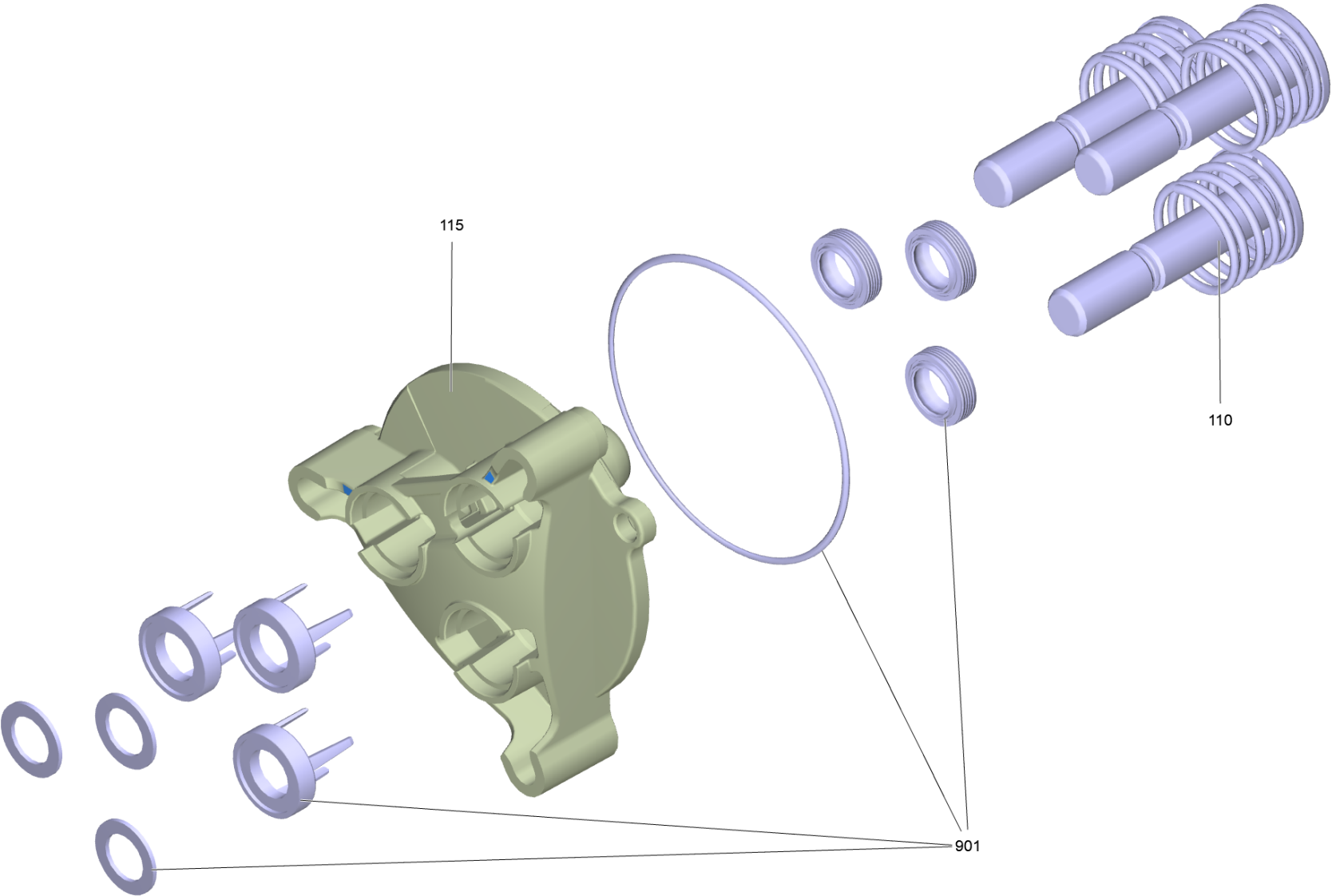
POS	Article no.	Description	Quantity	Unit
90	4.120-014.3	Wobble plate complete 13°30' (D67)	1	PC
91	9.086-169.0	Wobble plate screw M8x16	1	PC
92	6.401-427.3	Angular contact ball bearing	1	PC
93	6.367-051.0	Rotary shaft seal -20X37X8 NBR	1	PC
94	6.303-320.0	Screw M 5x 20-St-R2R	8	PC
95	5.363-453.0	Joint ring D116 x 1,8	1	PC
96	7.401-128.0	Ball bearing 6202-2RS -Wälzl.St DIN 625	1	PC
97	6.343-218.0	Tolerance ring 15x6	1	PC
98	5.093-025.0	Outer covering water flow	1	PC
125	6.288-050.0	Engine oil 1L	1	PC
217	6.363-593.0	O-Ring seal 146x5 EPDM	1	PC
218	6.363-647.0	O-Ring seal D130x5	1	PC





## 51 Pump head complete K7 Smart

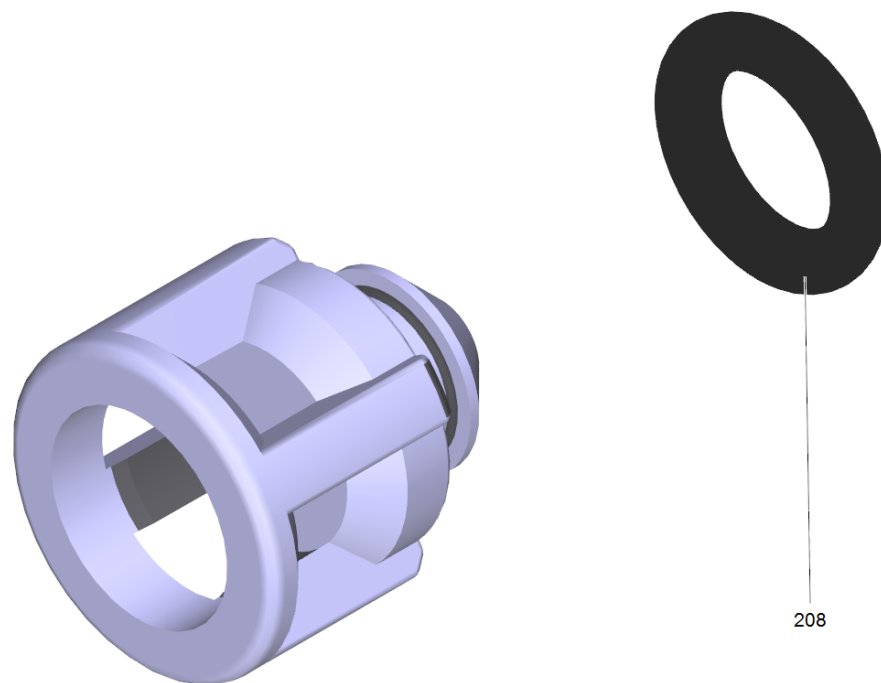
POS	Article no.	Description	Quantity	Unit
101		Piston guidance complete	1	PC
102	9.002-525.0	Cylinder head alluminio completo (c/imballo)	1	PC
104	4.584-022.0	Valve pin complete	1	PC
105	9.002-523.0	Plug completo K7 (c/imballo)	1	PC
106	5.062-718.3	Housing waterproof	1	PC
167	5.048-048.0	Clamp	1	PC
214	5.789-070.0	High-pressure outlet	1	PC
239	6.440-000.3	Lifting drive complete	1	PC
240	5.333-215.0	Pressure spring by-pass	1	PC
244	7.303-048.0	Screw M6x20 -St-R3R (In6Rd)	2	PC
247	5.048-047.0	Clamp pressure sensor	1	PC
248	6.362-151.0	O-Ring d. 10 x 2 NBR 70	1	PC
901	4.100-834.0	Spare parts set seals	1	PC
9000	2.885-186.0	Spare parts set excess-current	1	PC
9001	4.769-034.0	Nozzle insert only for replacement	1	PC
9002	4.100-818.0	Spare parts set sensor cpl.	1	PC



## 101 Piston guidance complete

---

<b>POS</b>	<b>Article no.</b>	<b>Description</b>	<b>Quantity</b>	<b>Unit</b>
110	9.002-522.0	Piston completo K7 (c/imballo)	3	PC
115	5.062-655.0	Piston guidance K7	1	PC
901	4.100-834.0	Spare parts set seals	1	PC

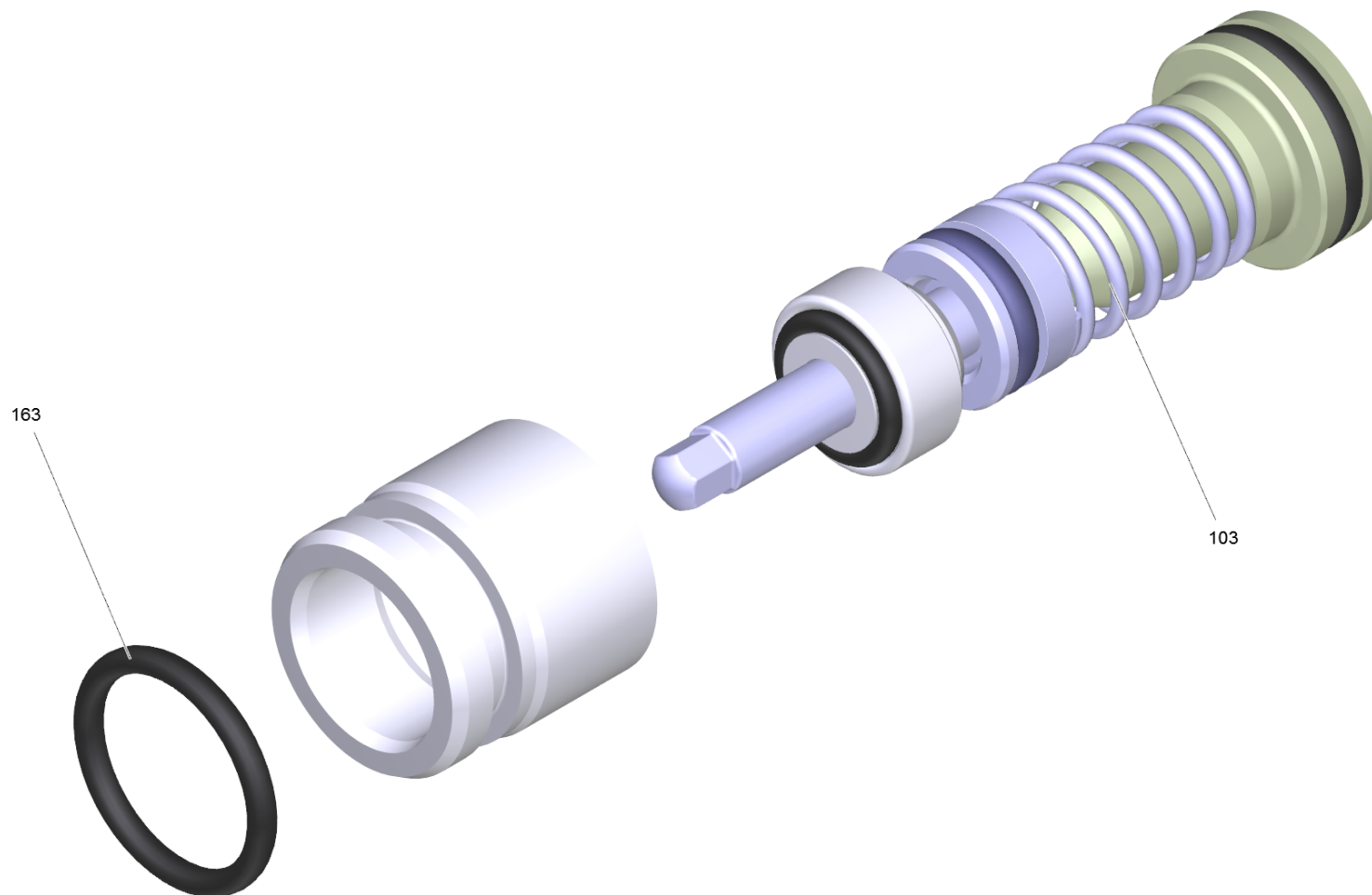


104 Valve pin complete (4.584-022.0)

---

<b>POS</b>	<b>Article no.</b>	<b>Description</b>	<b>Quantity</b>	<b>Unit</b>
208	6.363-613.0	O-Ring seal 4 x 2 -NBR90	1	PC

---

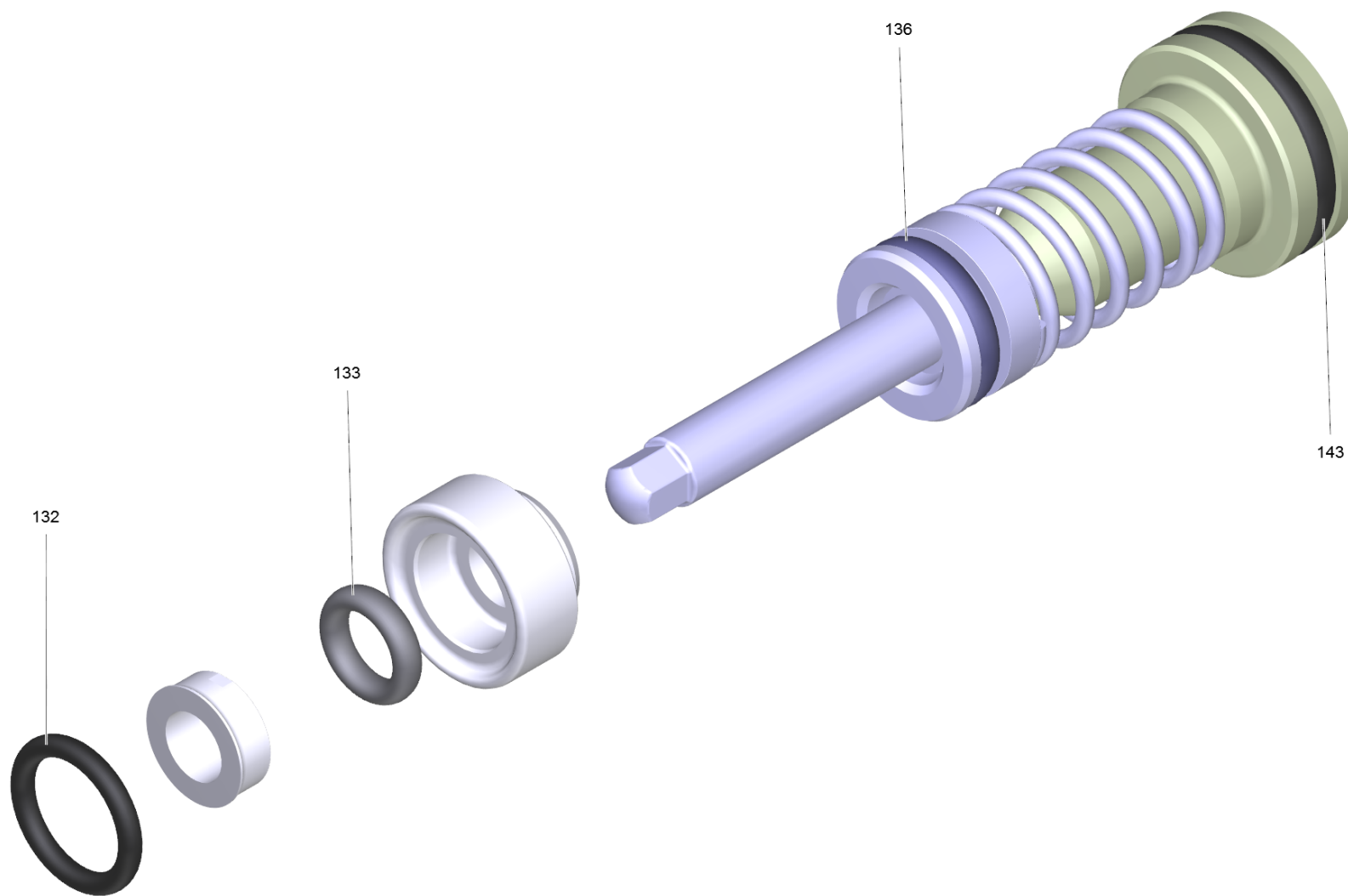


9000 Spare parts set excess-current (2.885-186.0)

---

<b>POS</b>	<b>Article no.</b>	<b>Description</b>	<b>Quantity</b>	<b>Unit</b>
103	2.885-408.0	Control piston complete replacement	1	PC
163	6.362-030.0	O-Ring seal 15x2 90 Shore IRHD	1	PC

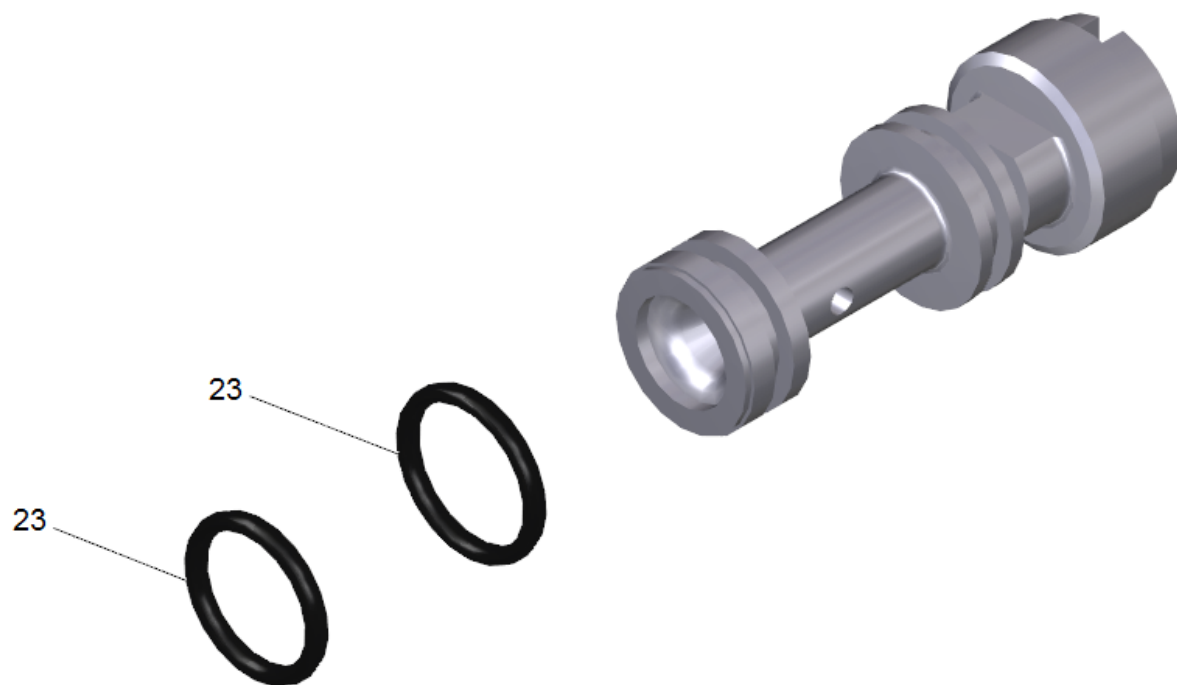




## 103 Control piston complete replacement (2.885-408.0)

---

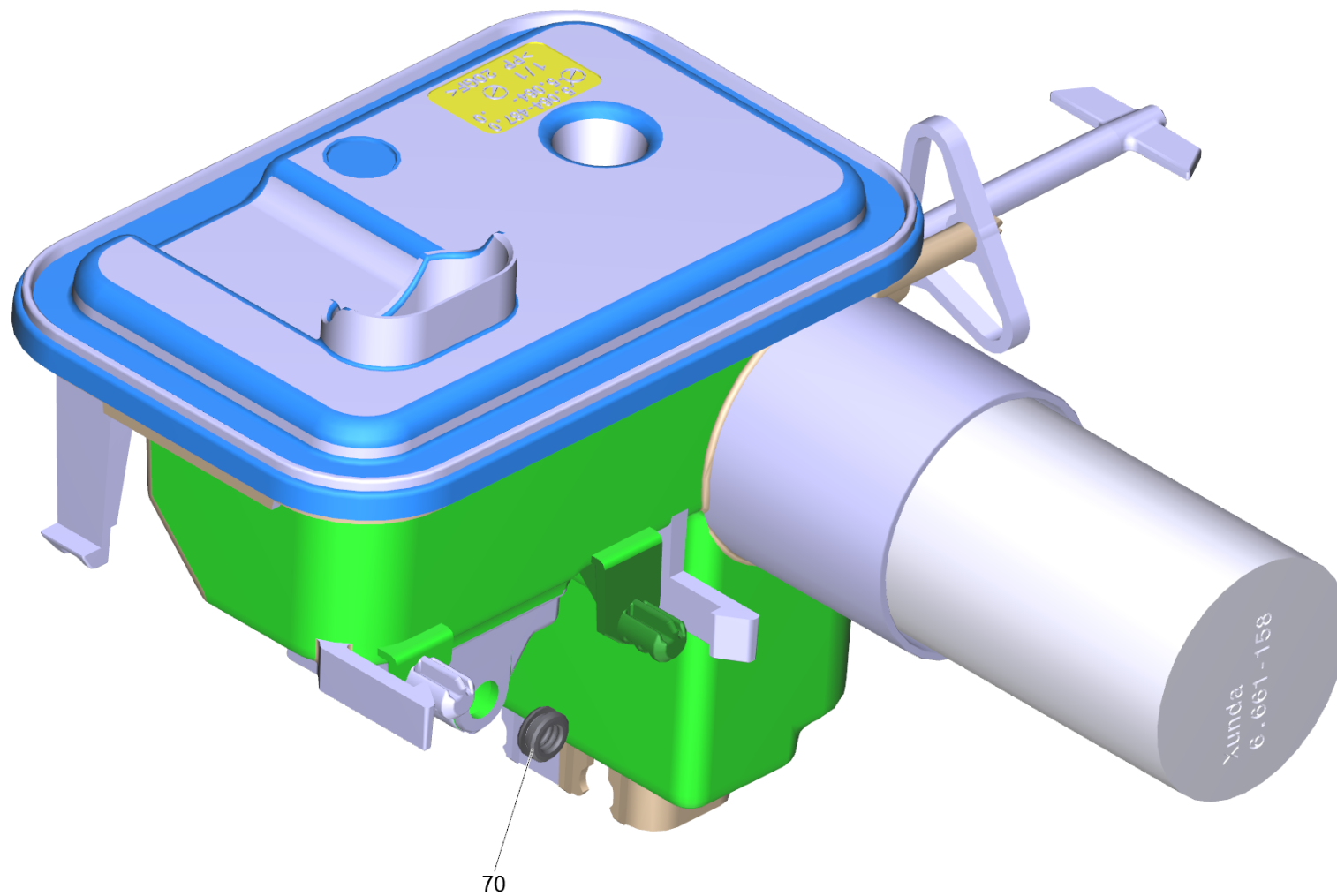
<b>POS</b>	<b>Article no.</b>	<b>Description</b>	<b>Quantity</b>	<b>Unit</b>
132	6.362-101.0	O-Ring seal 8 X 2	1	PC
133	6.363-606.0	O-Ring seal 4,7 x 1,9 -NBR70	1	PC
136	6.363-614.0	O-Ring seal 9 x 2 -NBR90	1	PC
143	6.362-381.0	O-Ring seal 13x2 - NBR 70	1	PC



9001 Nozzle insert only for replacement (4.769-034.0)

---

<b>POS</b>	<b>Article no.</b>	<b>Description</b>	<b>Quantity</b>	<b>Unit</b>
23	6.362-384.0	O-Ring seal 9x1,5 - NBR 70	2	PC

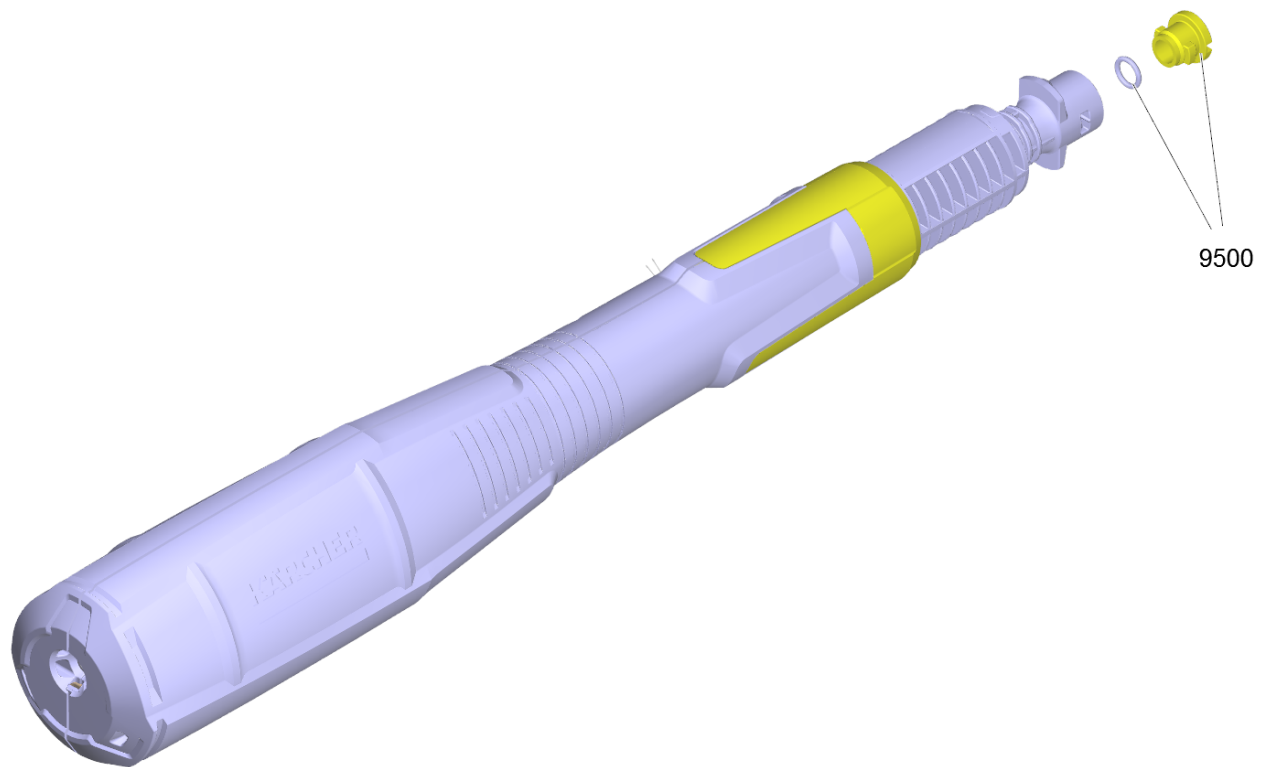


53 Electric box complete K7 Smart \*EU (4.800-015.3)

---

<b>POS</b>	<b>Article no.</b>	<b>Description</b>	<b>Quantity</b>	<b>Unit</b>
70	5.363-749.0	Seal control piston	1	PC

---



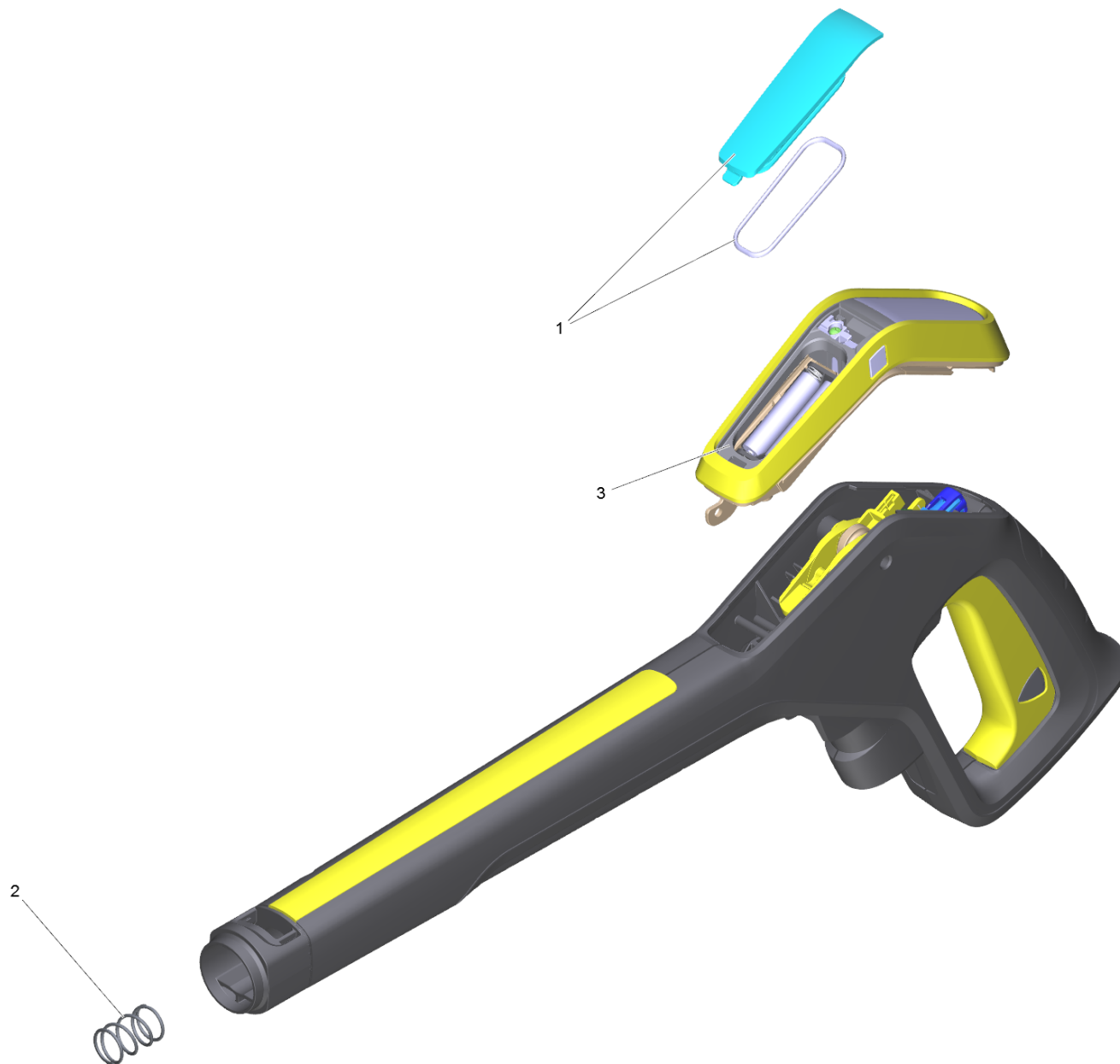
3 MJ 180 3-in-1 Multi Jet Full Control (2.643-907.0)

---

<b>POS</b>	<b>Article no.</b>	<b>Description</b>	<b>Quantity</b>	<b>Unit</b>
9500	2.640-729.0	O-Ring seal set	1	PC

---

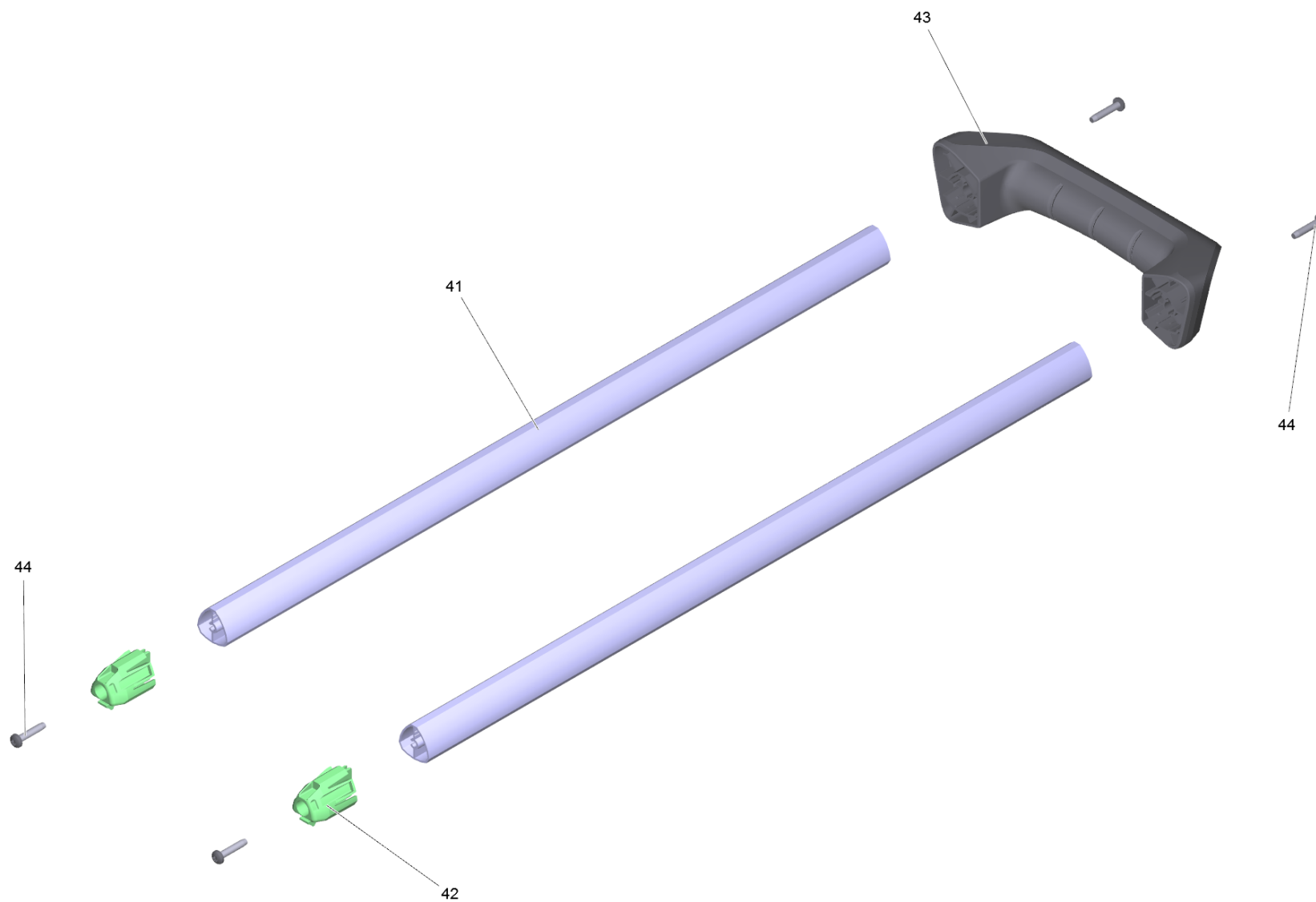




10 G 180 Q Smart Control (2.644-270.0)

---

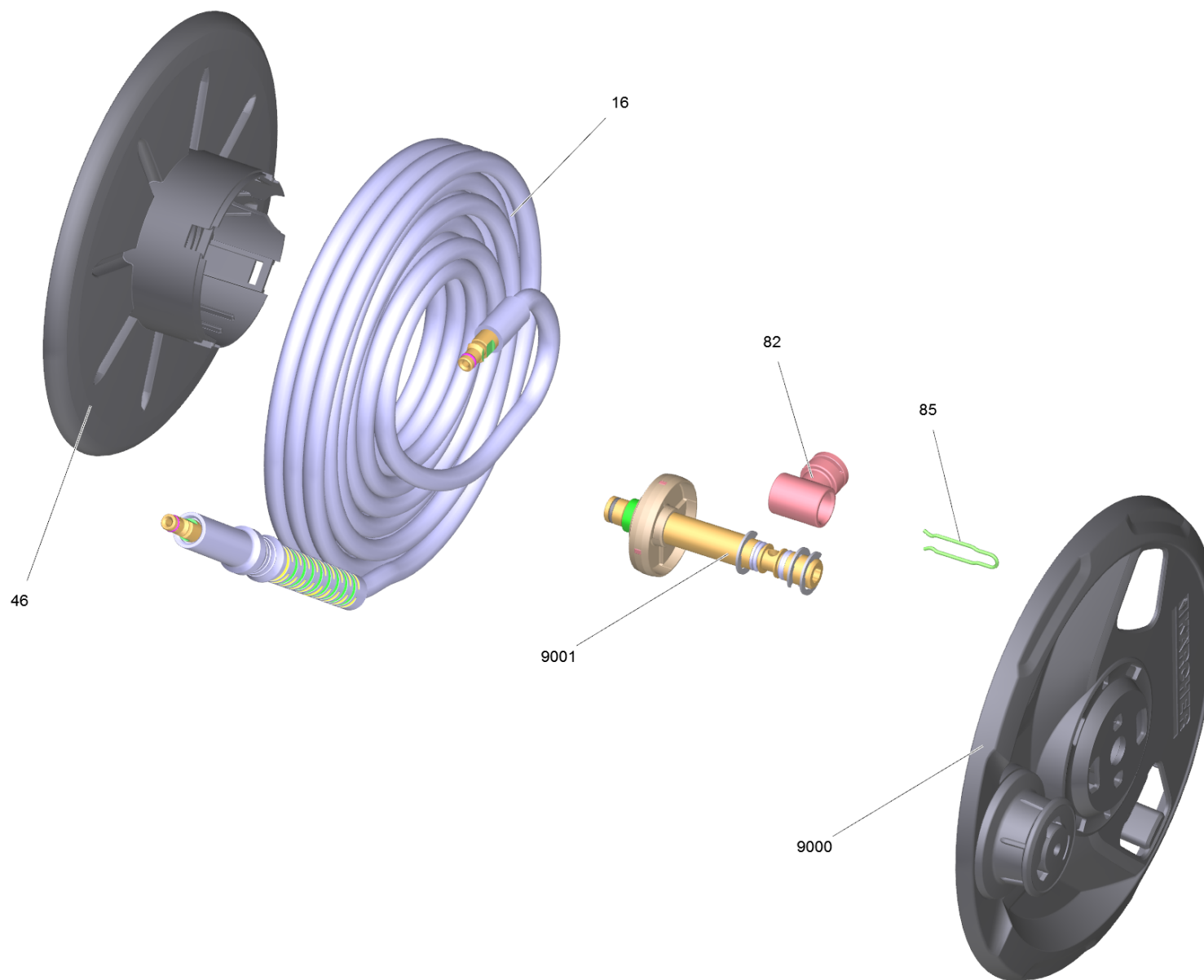
<b>POS</b>	<b>Article no.</b>	<b>Description</b>	<b>Quantity</b>	<b>Unit</b>
1	2.885-476.0	Spare part set cover battery G 160 Q Ful	1	PC
2	5.332-464.0	Pressure spring	1	PC
3	4.762-617.3	Electric box G 180 Q SC *EU	1	PC



## 14 Handhold complete

---

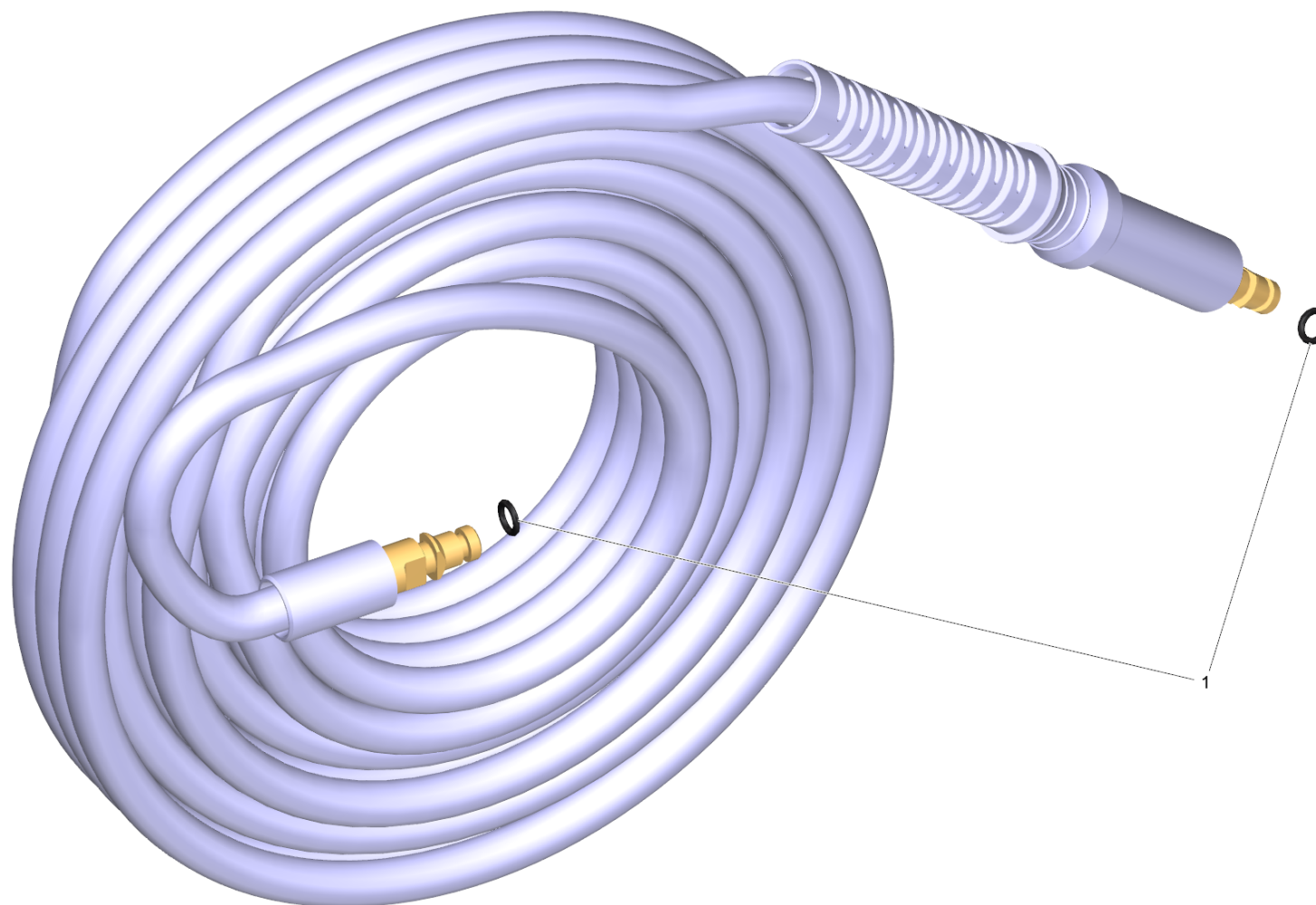
<b>POS</b>	<b>Article no.</b>	<b>Description</b>	<b>Quantity</b>	<b>Unit</b>
41	5.105-015.0	Tube L=500	2	PC
42	9.038-640.0	End piece	2	PC
43	5.322-163.0	Hand grip	1	PC
44	7.303-034.0	Screw M4x20-ST-R2R (IN6RD)	4	PC



## 28 Hose reel high-pressure complete Flex

---

<b>POS</b>	<b>Article no.</b>	<b>Description</b>	<b>Quantity</b>	<b>Unit</b>
16	6.396-536.0	High pressure hose 18MPa/10 60°C QC G	1	PC
46	9.038-492.0	Hose reel FC internal disk	1	PC
82	5.401-308.0	Rotary bushing	1	PC
85	5.059-401.0	Clamp	1	PC
123	6.288-088.0	Grease Molikote 55 M	1	PC
9000	2.885-471.0	Spare parts set hose reel	1	PC
9001	2.885-472.0	Spare parts set hollow shaft	1	PC



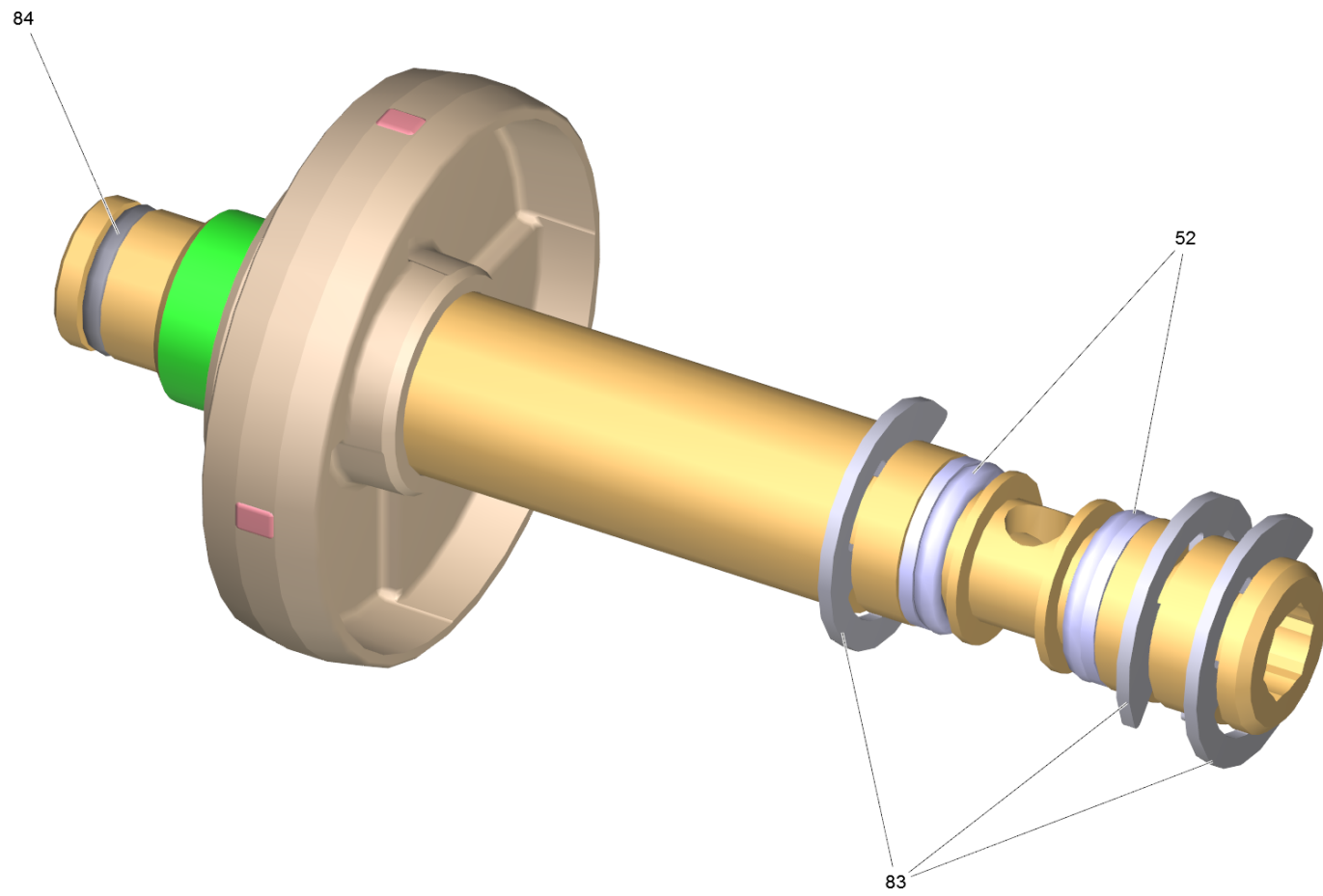
16 High pressure hose 18MPa/10 60°C QC G (6.396-536.0)

---

<b>POS</b>	<b>Article no.</b>	<b>Description</b>	<b>Quantity</b>	<b>Unit</b>
1	2.640-729.0	O-Ring seal set	1	PC

---





9001 Spare parts set hollow shaft (2.885-472.0)

---

<b>POS</b>	<b>Article no.</b>	<b>Description</b>	<b>Quantity</b>	<b>Unit</b>
52	6.363-628.0	O-Ring seal complete	2	PC
83	7.343-306.0	Lock washer 12-St-A2E DIN 6799	3	PC
84	6.362-151.0	O-Ring d. 10 x 2 NBR 70	1	PC