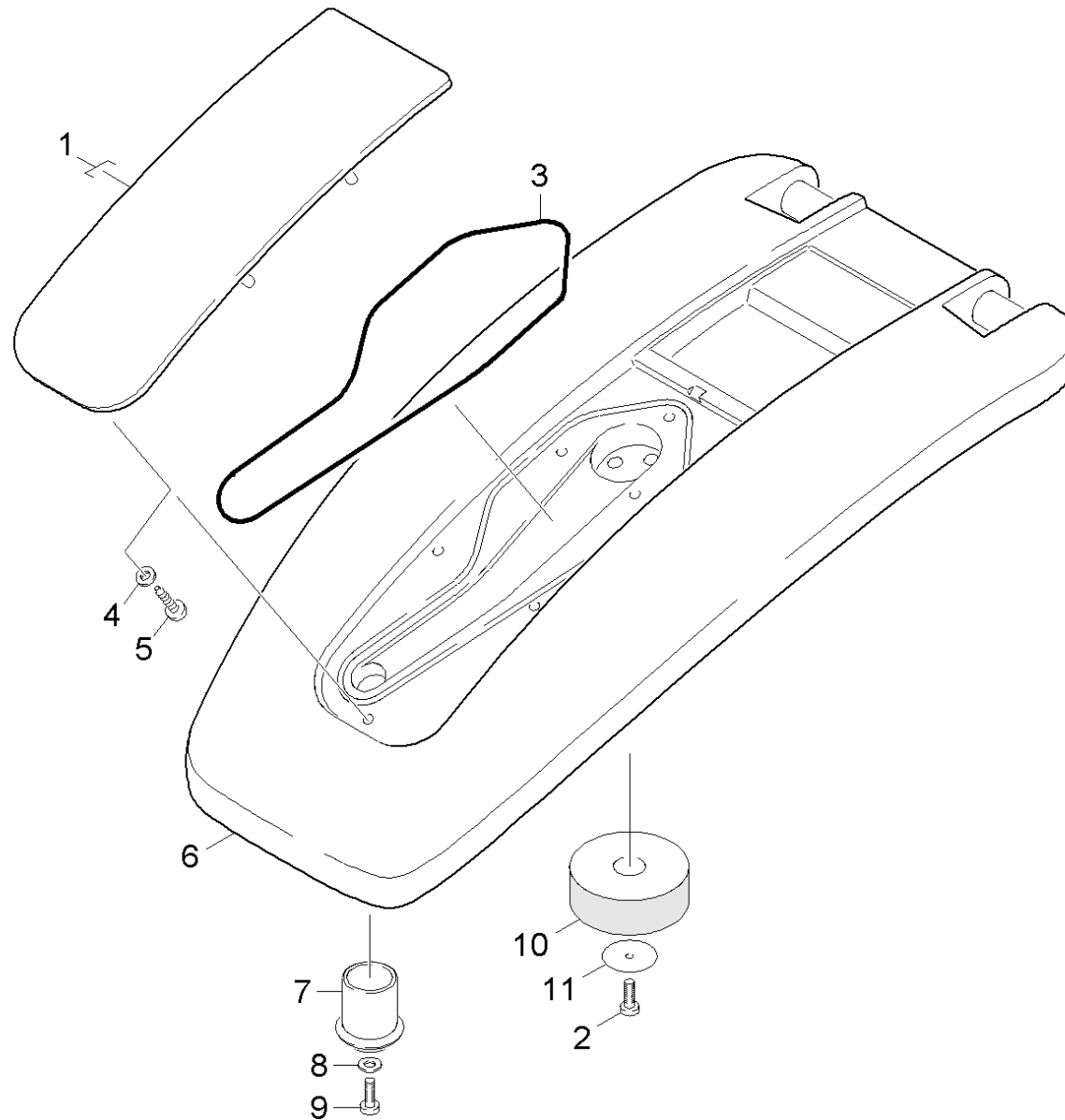


12 Cap of a tank

Professional \ Floor cleaner \ Walk behind \ B 60 W Bp Pack CLASSIC *EU \ Documentation B 60 W \ Spare parts list B 60 W \ Tank \ Cap of a tank



12 Cap of a tank

Professional \ Floor cleaner \ Walk behind \ B 60 W Bp Pack CLASSIC *EU \ Documentation B 60 W \ Spare parts list B 60 W \ Tank \ Cap of a tank

KÄRCHER

POS	Article no.	Description	Quantity	Unit	Foot note text
1	5.069-007.0	Covering cap	1	PC	
2	7.303-107.0	Screw 5x16 -10.9-P2R (K-In6Rd)	1	PC	
3	6.273-196.0	Seal string cellular rubber	1	m	TO ORDER AS CUT GOODS
6	5.064-040.0	Cover BR/BD 55.60 W	1	PC	
7	5.363-549.0	Joint ring Frischwasseroeffnung	1	PC	
8	7.312-267.0	Washer 5-A2 ISO 7094	1	PC	
9	7.303-105.0	Screw 5x25 -A2-70-bk (In6Rd)	1	PC	
10	5.585-044.0	Float BR/BD 55/60	1	PC	
11	5.115-754.0	Washer	1	PC	
4	7.312-266.0	Washer 6-A2 ISO 7094	6	PC	
5	7.303-104.0	Screw 5x16 -A2-70 (IN6RD)	6	PC	