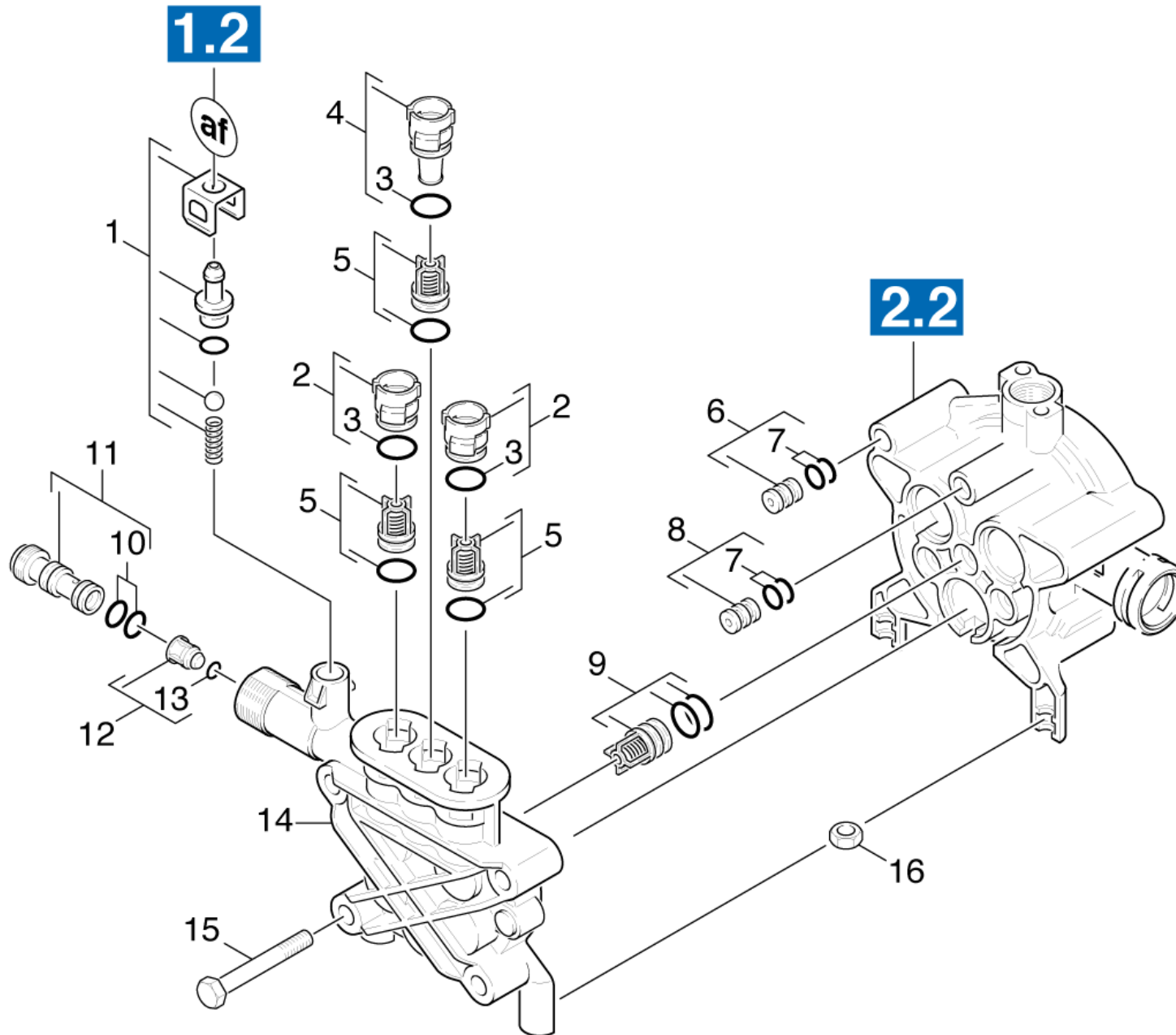


# 21 Cylinder head

Home and Garden \ High pressure cleaner cold water \ Electric motor \ K 5 \ K 5.80M Plus \* EU \ Spare parts list K 5.8X M \ Pump set \ Cylinder head



## 21 Cylinder head

Home and Garden \ High pressure cleaner cold water \ Electric motor \ K 5 \ K 5.80M Plus \* EU \ Spare parts list K 5.8X M \ Pump set \ Cylinder head

**KÄRCHER**

POS	Article no.	Description	Quantity	Unit
14	5.550-331.0	Cylinder head	1	PC
15	7.304-098.0	Hexagonal head screw M8x80-8.8-A2E ISO 4014	4	PC
16	7.311-003.0	Hexagon nut M6 -8-A2E ISO 4032	2	PC
8	4.030-125.0	Joining piece only for replacement	1	PC
11	4.769-034.0	Nozzle insert only for replacement	1	PC
13	6.363-613.0	O-Ring seal 4 x 2 -NBR90	1	PC
7	6.362-176.0	O-Ring seal 6,07x1,78	2	PC
10	6.362-384.0	O-Ring seal 9x1,5 - NBR 70	1	PC
3	6.363-273.0	O-Ring seal 11,0 x 2,0	2	PC
1	7.777-999.0	Stockpiling discontinued	1	PC
6	4.030-070.0	Throttle complete	1	PC
5	2.884-873.0	Valve (3 Stueck)	1	PC
9	2.884-877.0	Valve (3 Stueck)	1	PC
12	4.584-022.0	Valve pin complete	1	PC
2	4.132-010.0	Valve plug complete	2	PC
4	4.132-011.0	Valve plug complete	1	PC