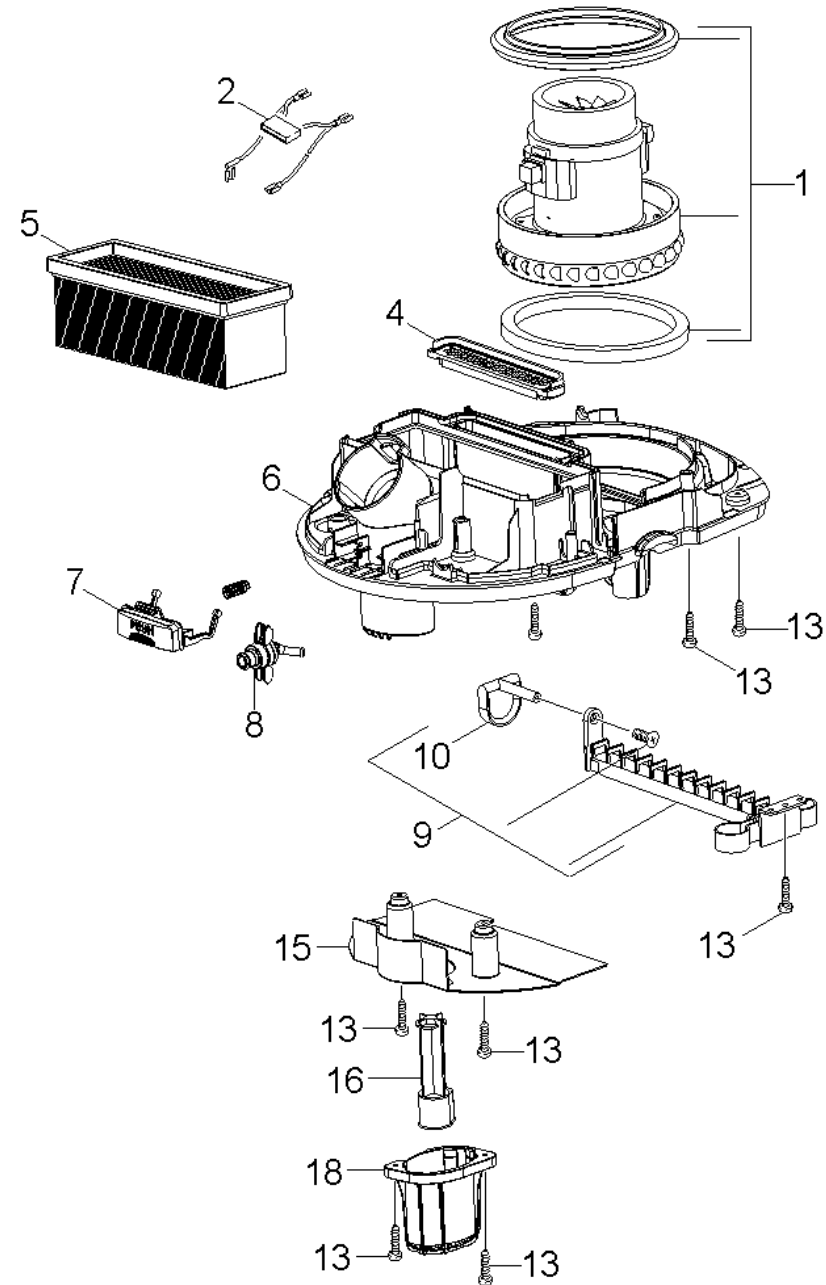


20 Vacuum motor

Home and Garden \ Spray extraction \ SE 6.100 (white) \ Spare parts list SE 6.100 \ Vacuum motor



20 Vacuum motor

Home and Garden \ Spray extraction \ SE 6.100 (white) \ Spare parts list SE 6.100 \ Vacuum motor

KÄRCHER

POS	Preces Nr.	Apraksts	Quantity	Unit
15	9.411-408.0	Baffle plate	1.000	ST
2	9.424-063.0	Cable with capacitor	1.000	ST
9	6.959-206.0	Filter vibrator complete	1.000	ST
6	9.411-594.0	Flange motor SE 5.100-6.100	1.000	ST
16	6.959-199.0	Float	1.000	ST
5	6.414-498.0	Plakanais gofrētais filtrs	1.000	ST
8	9.418-562.0	Pressure valve	1.000	ST
7	9.412-458.0	Pushbutton cover	1.000	ST
10	6.959-316.0	Rokturis	1.000	ST
13	6.303-150.0	Screw 4,2x 22	13.000	ST
4	9.439-072.0	Seal air circulation	1.000	ST
18	9.411-637.0	SWIMMER FRAME	1.000	ST
1	9.001-841.0	Universal motor 1200W	1.000	ST