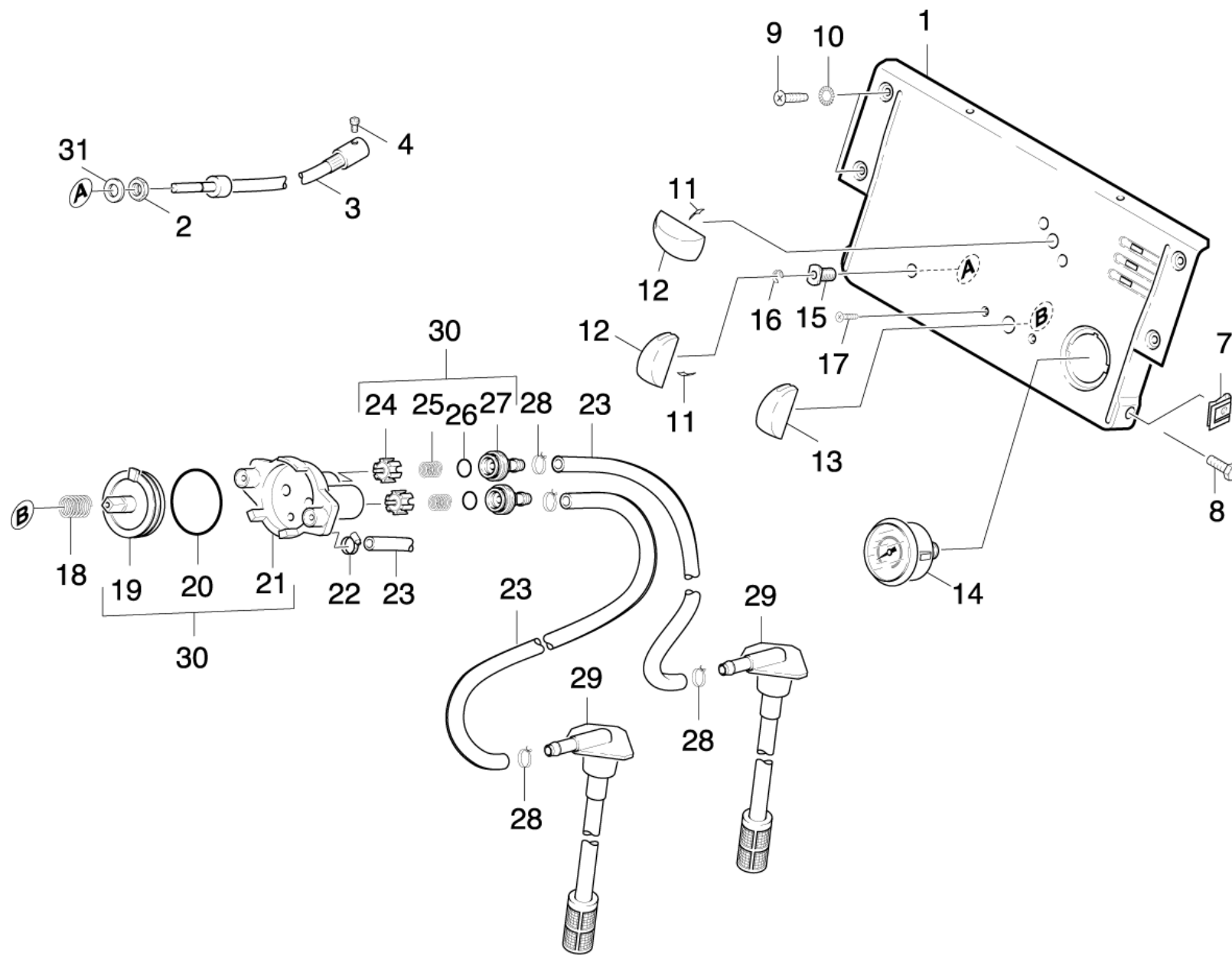


91 Control panel

Overview technical documents/Professional/High pressure cleaner hotwater/Electric motor/HDS 801E (1.030-111.0)/Spare parts list HDS 801 E/90 Control panel/91 Control panel



91 Control panel

Overview technical documents/Professional/High pressure cleaner hotwater/Electric motor/HDS 801E (1.030-111.0)/Spare parts list HDS 801 E/90 Control panel/91 Control panel

Rez.daļas/nodil.pakļ.daļas	Poz.	Materiāla Nr.	Nosaukums	Daudzums	Pārdoš. vienība	no sēr. Nr..	līdz sēr. Nr.
	1		Stockpiling discontinued	1.000	ST	0000000000	0000000000
	2	7.311-202.0	Hexagon nut M10-04-A2E ISO 4035	1.000	ST	0000000000	0000000000
	3	6.431-112.0	Shaft flexible	1.000	ST	0000000000	0000000000
	4	7.306-651.0	Cylinder head screw M 5X 8- 4.8-A2E I	1.000	ST	0000000000	0000000000
	7	6.310-082.0	Putting nut M6	2.000	ST	0000000000	0000000000
	8	7.304-382.0	Hexagonal head screw M 6x12-8.8-A2E ISO	2.000	ST	0000000000	0000000000
	9	7.303-038.0	Screw M6x20 -St-R3R (In6Rd)	4.000	ST	0000000000	0000000000
	10	7.312-172.0	Toothed lock washer A5,3-FSt-A3E DIN 67	4.000	ST	0000000000	0000000000
X-X	11	6.313-014.0	Spailes atspere	3.000	ST	0000000000	0000000000
	12	5.321-378.0	Tureklis	3.000	ST	0000000000	0000000000
	13	5.321-379.0	Tureklis	1.000	ST	0000000000	0000000000
X-X	14	6.421-170.0	Manometrs 0-315 bāri	1.000	ST	0000000000	0000000000
	15	5.112-460.0	Bush	1.000	ST	0000000000	0000000000
	16	7.343-034.0	Locking ring 6x0,7 -St-ph DIN 471	1.000	ST	0000000000	0000000000
	17	7.305-255.0	Kon. gremdg. skr. M 4x12-A2-70-sw ISO70	2.000	ST	0000000000	0000000000
	18	5.332-028.0	Helical spring	1.000	ST	0000000000	0000000000
	19	5.581-035.0	Valve seat	1.000	ST	0000000000	0000000000
	20	6.362-382.0	O-Ring seal 42,0 X 2,5	1.000	ST	0000000000	0000000000
	21	5.587-046.0	Valve housing	1.000	ST	0000000000	0000000000
	22	6.388-515.0	Hose clip	1.000	ST	0000000000	0000000000
	23	6.388-194.0	Šjūtene DN 7	1.000	M	0000000000	0000000000
	24	5.584-028.0	Valve pin	2.000	ST	0000000000	0000000000
	25	5.332-076.0	Helical spring	2.000	ST	0000000000	0000000000
	26	6.362-395.0	O-Ring seal 14,0 X 1,78-NBR 70	2.000	ST	0000000000	0000000000
	27	5.586-014.0	Valve connecting piece	2.000	ST	0000000000	0000000000

91 Control panel

Overview technical documents/Professional/High pressure cleaner hotwater/Electric motor/HDS 801E (1.030-111.0)/Spare parts list HDS 801 E/90 Control panel/91 Control panel

Rez.daļas/nodil.pakļ.daļas	Poz.	Materiāla Nr.	Nosaukums	Daudzums	Pārdoš. vienība	no sēr. Nr..	līdz sēr. Nr.
	28	6.388-561.0	Hose clip	4.000	ST	0000000000	0000000000
X	29	6.414-028.0	Filtrs	2.000	ST	0000000000	0000000000
	30	4.580-075.0	Valve	1.000	ST	0000000000	0000000000
	31	7.312-062.0	Washer 10-Kunststoff ISO7089	1.000	ST	0000000000	0000000000