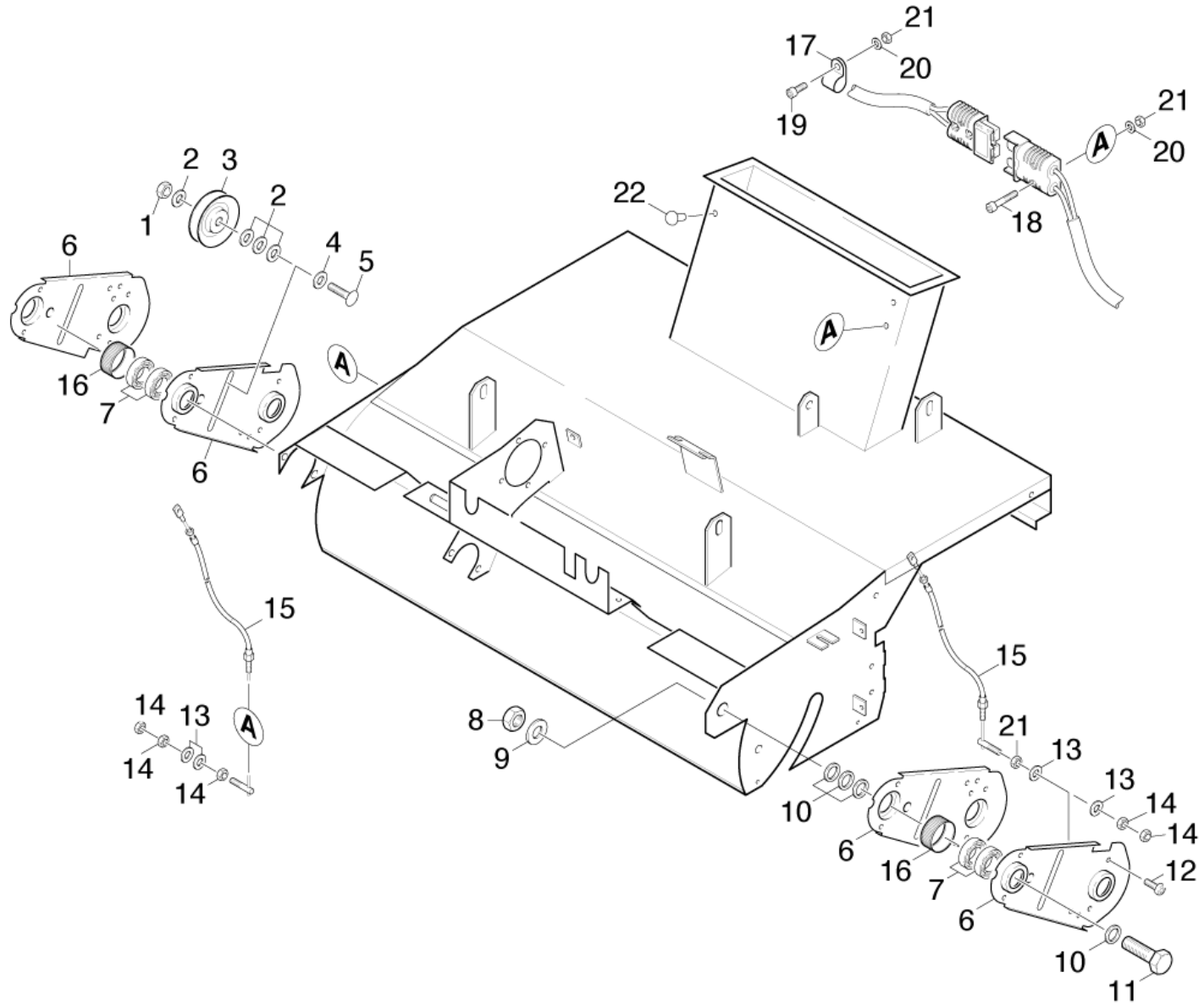


33 Lever

Professional \ Sweepers \ Ride-on \ Electric motor \ KM 90/45 R *EU \ Spare parts list KM 90/45 R \ Sweep roller chest \ Lever



33 Lever

Professional \ Sweepers \ Ride-on \ Electric motor \ KM 90/45 R *EU \ Spare parts list KM 90/45 R \ Sweep roller chest \ Lever

KÄRCHER

POS	Article no.	Description	Quantity	Unit
1	7.311-004.0	Hexagon nut M8 -8-A3E ISO 4032	1	PC
3	6.348-297.0	Deflection pulley	1	PC
4	7.312-008.0	Washer 12-200HV-A2K ISO 7089	1	PC
5	7.303-186.0	Saucer-head screw M8x40 -St-A0P DIN 603	1	PC
19	7.306-181.0	Screw M 5x 12-A2-70 (In6Rd)	1	PC
8	7.311-426.0	Hexagon nut M16-04-A2E DIN 985	1	PC
9	7.312-019.0	Washer 16-200HV-A2K ISO 7089	1	PC
11	7.304-035.0	Hexagonal head screw M16X 50-A4-70 ISO	1	PC
17	6.641-460.0	Cable clamp	1	PC
15	6.431-173.0	Bowden wire complete	2	PC
18	7.306-184.0	Screw M5x30 -A2-70 (In6Rd)	2	PC
16	6.343-203.0	Tolerance ring	2	PC
20	7.312-264.0	Washer 5-100HV-A3E ISO 7094	3	PC
22	6.368-074.0	Ornamental hub cap D6 / D12	3	PC
13	7.311-421.0	Hexagon nut M 5-04-A2E DIN 985	4	PC
2	7.312-004.0	Washer 8 -200HV-A3E ISO 7089	4	PC
10	5.115-711.0	Washer	4	PC
7	7.401-022.0	Ball bearing 16003-2RS-WST PREISW. DIN 6	4	PC
6	5.046-974.0	Lever	4	PC
21	7.311-002.0	Hexagon nut M5 -6-A2E ISO 4032	4	PC
14	7.311-203.0	Hexagon nut M5 -A4-035 ISO 4035	7	PC
12	7.303-328.0	Screw M5x8 -St-flZn/nc480h/C (In6Rd)	8	PC