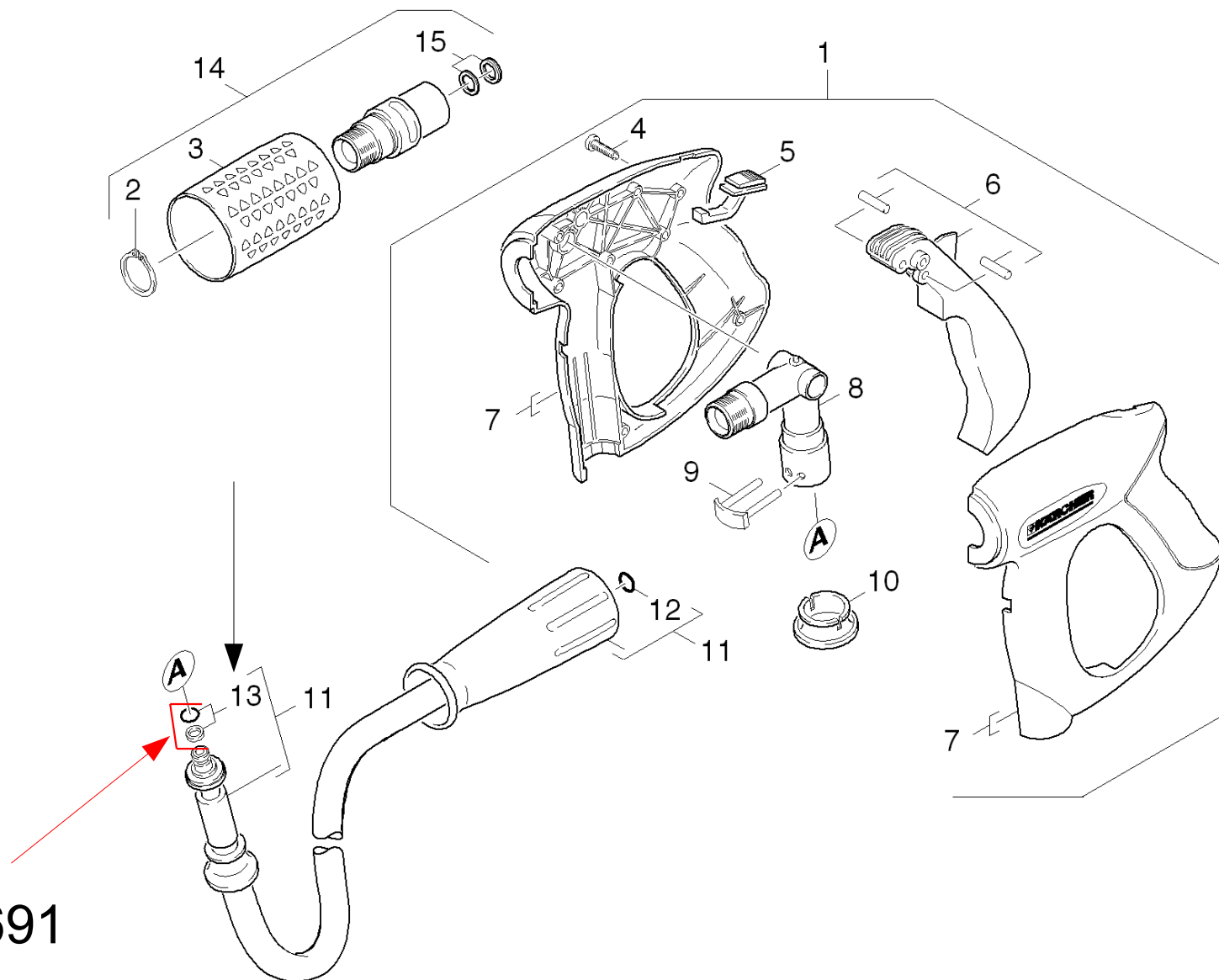


101 Hand trigger gun (0.125-089.0)

Overview technical documents/Professional/High pressure cleaner hotwater/Electric motor/HDS 695MX ECO*EU-II (1.025-317.0)/Spare parts list HDS 695 M ECO/100 Accessories/101 Hand trigger gun (0.125-089.0)



K4363691

101 Hand trigger gun (0.125-089.0)

Overview technical documents/Professional/High pressure cleaner hotwater/Electric motor/HDS 695MX ECO*EU-II (1.025-317.0)/Spare parts list HDS 695 M ECO/100 Accessories/101 Hand trigger gun (0.125-089.0)

ET/VT (spare/wear parts)	Pos	Material #	Name	Qty.	Unit	from ser.nr.	up to ser.nr.
X-X	1	4.775-463.0	HAND TRIGGER GUN EASY PRESS	1.000	ST	00000000000000000000	
Position text: 1.025-311.0 / -315.0 / -316.0 / -317.0 / -351.0 / -352.0							
	2	7.343-069.0	Locking ring 25x1,2-1.4122 DIN 471	1.000	ST	00000000000000000000	
	3	5.321-668.0	Handle	1.000	ST	00000000000000000000	
	4	7.303-096.0	Screw 4x22 -ST-10.9-R2R (IN6RD)	7.000	ST	00000000000000000000	
	5	5.481-331.0	Slider	1.000	ST	00000000000000000000	
X	6	4.481-209.0	Lever complete	1.000	ST	00000000000000000000	
	7	5.321-669.0	Handhold few	1.000	ST	00000000000000000000	
X-X	8	4.427-215.0	Manifold complete only for replacement	1.000	ST	00000000000000000000	
X-X	9	4.037-013.0	Hook	1.000	ST	00000000000000000000	
X-X	10	5.110-596.0	Sleeve	1.000	ST	00000000000000000000	
X-X	11	6.390-208.0	High pressure hose DN 8	1.000	ST	00000000000000000000	
Position text: / 1.025-316.0 / -317.0							
X-X	11	6.391-238.0	High pressure hose DN6-10m	1.000	ST	00000000000000000000	
Position text: / 1.025-351.0 / -352.0							
X-X	11	6.391-351.0	High pressure hose only for replacement	1.000	ST	00000000000000000000	
Position text: / 1.025-311.0 / -315.0 /							
X-X	12	2.880-296.0	Spare part set O-Ring seal 5x	1.000	ST	00000000000000000000	
X-X	13	4.363-691.0	O-Ring seal kpl. -nur fuer Ersatz-	1.000	ST	00000000000000000000	
X-X	14	4.775-470.0	Rotary controller 416L	1.000	ST	00000000000000000000	
X-X	15	6.363-310.0	Grooved ring 14x9,4x2,6	1.000	ST		