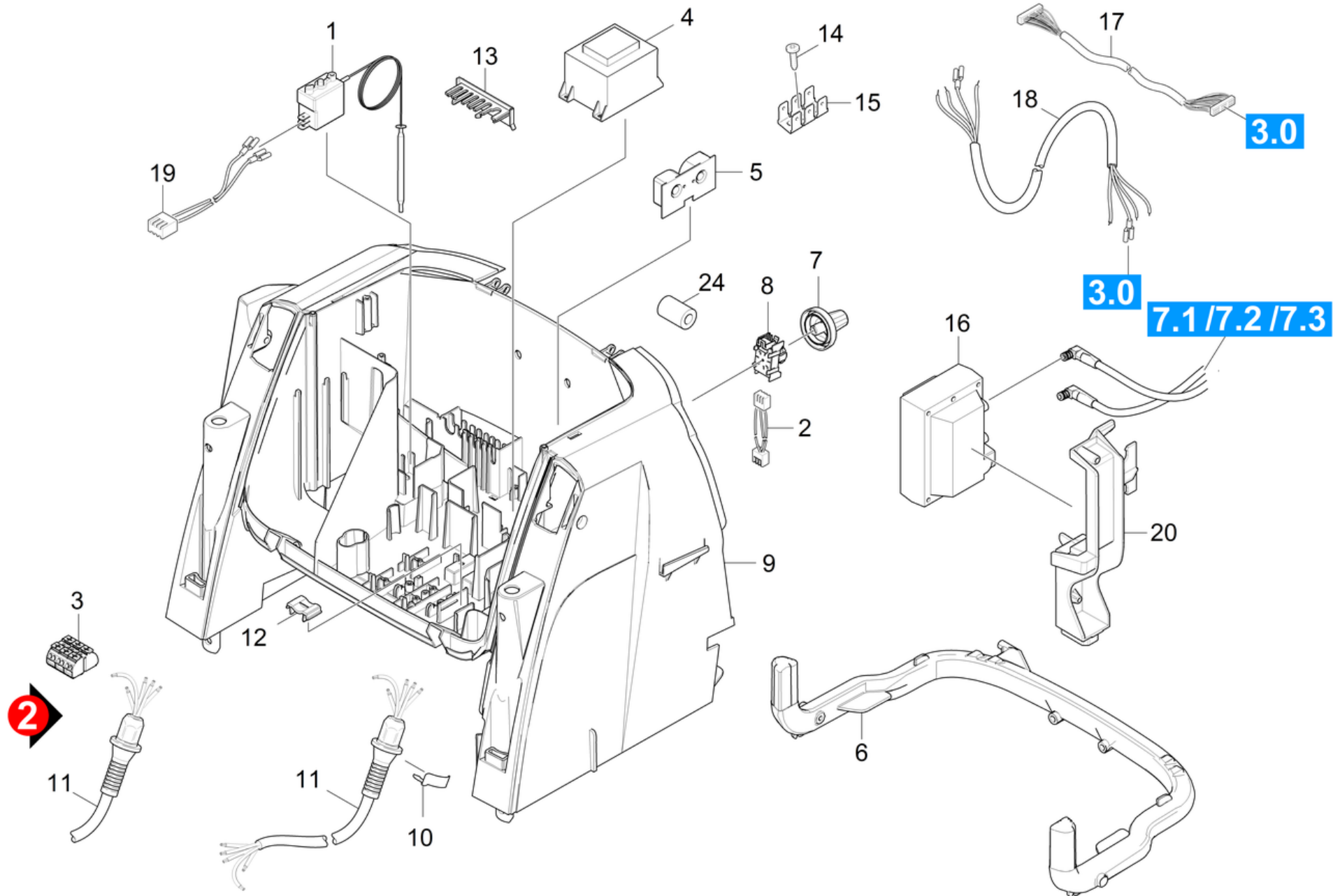


# 60 Electric control box

Professional \ High pressure cleaner hotwater \ Electric motor \ HDS 9/18-4M V2A \*EU-I \ Spare parts list HDS 9/18 \ Electric control box



## 60 Electric control box

Professional \ High pressure cleaner hotwater \ Electric motor \ HDS 9/18-4M V2A \*EU-I \ Spare parts list HDS 9/18 \ Electric control box

**KÄRCHER**

POS	Article no.	Description	Quantity	Unit	Remark
19	6.649-383.0	Cable 2x0,35 700mm	1	PC	
2	6.649-533.0	Cable 3xAWG22 500mm	1	PC	
18	6.649-462.0	Cable 4x1,5mm <sup>2</sup>	1	PC	
	<b>Item text1:</b> 1.077-801.0 /-805.0 /-851.0				
18	6.649-645.3	Cable 4x2,5mm <sup>2</sup>	1	PC	
	<b>Item text1:</b> 1.077-802.0				
11	6.649-463.3	Cable with plug 4x1,5mm <sup>2</sup>	1	PC	VERSION 1
	<b>Item text1:</b> 1.077-802.0				
11	6.649-463.3	Cable with plug 4x1,5mm <sup>2</sup>	1	PC	
	<b>Item text1:</b> 1.077-801.0 /-805.0 /-851.0				
5	6.682-881.3	Circuit board current transformer for replacement	1	PC	
11	6.649-644.0	Connection cable complete 4x2,5mm <sup>2</sup>	1	PC	VERSION 2
	<b>Item text1:</b> 1.077-802.0				
17	2.885-110.0	Control cable complete only for replacem	1	PC	
4	6.622-283.3	Control transformer	1	PC	
	<b>Item text1:</b> 1.077-801.0 /-805.0 /-851.0				
4	4.622-015.0	Control transformer -nur für Ersatz-	1	PC	
	<b>Item text1:</b> 1.077-802.0				
24	6.614-007.0	Ferrite ring	1	PC	
20	5.424-140.0	Fixing	1	PC	
7	5.324-172.0	Handle qusty grey RAL 7037	1	PC	
12	5.802-307.0	Holder cable	1	PC	
16	6.622-286.0	Ignition transformer -230V, 50Hz	1	PC	
	<b>Item text1:</b> 1.077-802.0				
16	6.622-275.0	Ignition transformer -400V, 50 Hz	1	PC	
	<b>Item text1:</b> 1.077-801.0 /-805.0 /-851.0				
10	6.343-186.0	Locking ring	1	PC	
9	5.801-153.0	Mounting plate	1	PC	
	<b>Item text1:</b> 1.077-801.0 /-802.0 /-805.0				
9	5.801-153.0	Mounting plate	1	PC	
	<b>Item text1:</b> 1.077-851.0				
15	6.641-270.0	Plug	1	PC	
6	5.033-111.0	Profile	1	PC	

## 60 Electric control box

Professional \ High pressure cleaner hotwater \ Electric motor \ HDS 9/18-4M V2A \*EU-I \ Spare parts list HDS 9/18 \ Electric control box

POS	Article no.	Description	Quantity	Unit	Remark
14	7.303-106.0	Screw 4x12 -10.9-R2R (IN6RD)	1	PC	
8	6.630-423.0	Switch service	1	PC	
13	5.263-086.0	Tensioning part	1	PC	
	<b>Item text1:</b> 1.077-801.0 /-805.0 /-851.0				
13	5.263-091.0	Tensioning part	1	PC	
	<b>Item text1:</b> 1.077-802.0				
3	6.644-364.0	Terminal clamp four-core triple-pole	1	PC	VERSION 2
	<b>Item text1:</b> 1.077-802.0				
1	4.686-029.0	Thermostat only for replacement	1	PC	