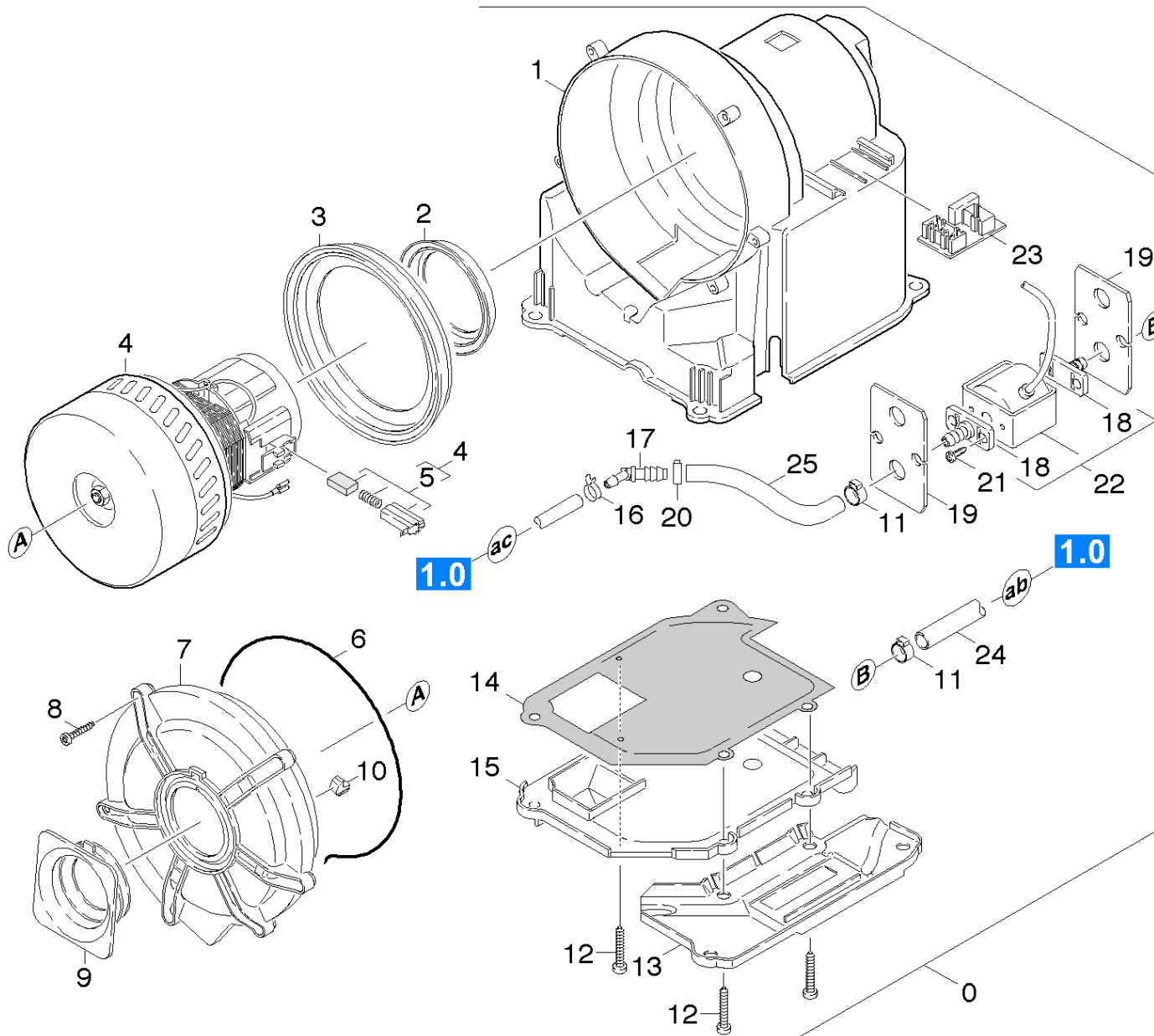


### 30 Housing drawer complete

Overview technical documents/Professional/Spray extraction/PUZZI 100 \*EU (1.100-101.0)/Spare parts list PUZZI 100/30 Housing drawer complete



### 30 Housing drawer complete

Overview technical documents/Professional/Spray extraction/PUZZI 100 \*EU (1.100-101.0)/Spare parts list PUZZI 100/30 Housing drawer complete

Rez.daļas/nodil.pakļ.daļas	Poz.	Materiāla Nr.	Nosaukums	Daudzums	Pārdoš. vienība	no sēr. Nr..	līdz sēr. Nr.
	24	5.442-722.0	Piece of tube	1.000	ST	0000000000	0000000000
	25	5.442-924.0	Piece of tube	1.000	ST	0000000000	0000000000
X-X	23	6.682-391.0	Shēmas plate	1.000	ST	0000000000	0000000000
X-X	22	6.473-376.0	Sūknis ar svārstošu virzuli	1.000	ST	0000000000	0000000000
X	20	6.388-701.0	Hose clip with insert 13,3	1.000	ST	0000000000	0000000000
	21	7.306-625.0	Cylinder head screw M 4x 6-4.8-A2E ISO	4.000	ST	0000000000	0000000000
	3	5.363-393.0	Seal	1.000	ST	0000000000	0000000000
X-X	4	4.610-046.0	Variklis -230V	1.000	ST	0000000000	0000000000
Pozicijas teksts: / 1.100-101.0 / -102.0 / -107.0 / -108.0 / -111.0 / -112.0 / -113.0 / -114.0 / -115.0 / -116.0 / -117.0							
X	8	7.303-084.0	Skrūve 4x25 -10.9-R2R (K-In6Rd)	6.000	ST	0000000000	0000000000
	9	5.363-392.0	Blīve	1.000	ST	0000000000	0000000000
	7	5.063-747.0	Turbīnas vāks	1.000	ST	0000000000	0000000000
	6	6.273-162.0	Porainā gumija	1.000	ST	0000000000	0000000000
	4	4.610-047.0	Vacuum motor complete -250V	1.000	ST	0000000000	0000000000
Pozicijas teksts: / 1.100-103.0 / -104.0 / -114.0							
	5	6.610-204.0	Ogles birstu komplekts - tikai nomainībai	1.000	ST	0000000000	0000000000
	2	5.363-395.0	Blīve	1.000	ST	0000000000	0000000000
	19	5.031-468.0	Bearing pump	2.000	ST	0000000000	0000000000
X-X	11	6.388-683.0	Joint 14/ 9	2.000	ST	0000000000	0000000000
X-X	12	7.303-086.0	Skrūve 5x30 -10.9-R2R (K-In6Rd)	4.000	ST	0000000000	0000000000
	10	5.363-405.0	Blīve	1.000	ST	0000000000	0000000000
	1	5.605-290.0	Turbine	1.000	ST	0000125504	0000000000
	0	4.605-075.0	Housing drawer complete	1.000	ST	0000125504	0000000000
	1	5.605-215.0	Housing turbine	1.000	ST	0000000000	0000125503
	13	5.031-461.0	Covering cap	1.000	ST	0000000000	0000000000

### 30 Housing drawer complete

Overview technical documents/Professional/Spray extraction/PUZZI 100 \*EU (1.100-101.0)/Spare parts list PUZZI 100/30 Housing drawer complete

Rez.daļas/nodil.pakļ.daļas	Poz.	Materiāla Nr.	Nosaukums	Daudzums	Pārdoš. vienība	no sēr. Nr..	līdz sēr. Nr.
	14	5.364-233.0	Plakana blīve	1.000	ST	0000125504	0000000000
	17	5.409-261.0	Nipple	1.000	ST	0000000000	0000000000
	18	5.443-439.0	Hose stem D9,5	1.000	ST	0000000000	0000000000
	16	6.388-555.0	Hose clip 9,0mm	1.000	ST	0000000000	0000000000
	15	5.033-096.0	Covering cap	1.000	ST	0000000000	0000125503
	14	5.364-233.0	Plakana blīve	1.000	ST	0000000000	0000125503
	15	5.033-096.0	Covering cap	1.000	ST	0000125504	0000000000
	0	4.605-032.0	Housing drawer complete -PUZZI 100 (230V	1.000	ST	0000000000	0000125503