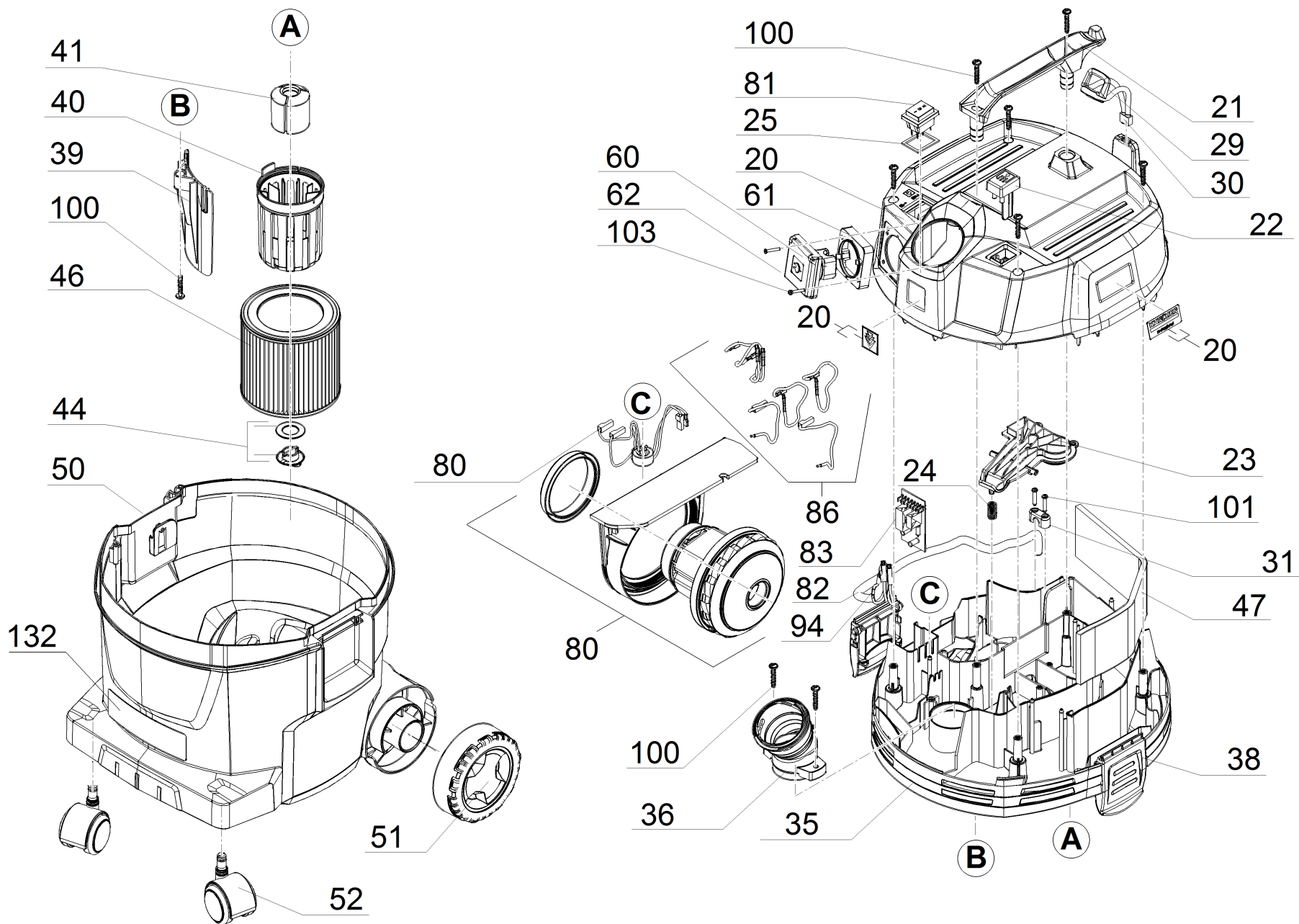


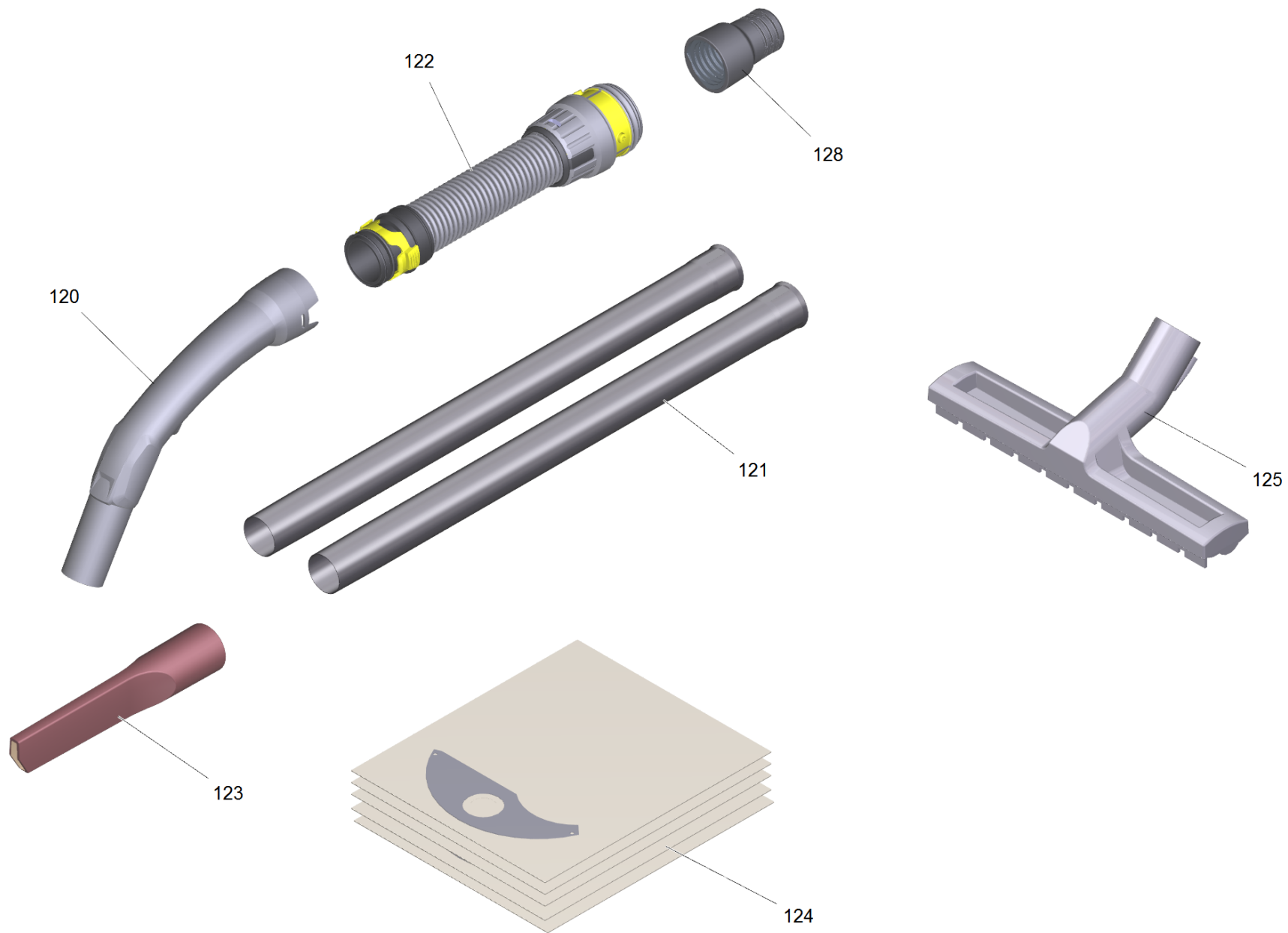
Spare parts list

(1.378-610.0) NT 22/1 Ap Te L *EU

Table of contents

NT 22/1 Ap Te L *EU (1.378-610.0)	3
122 Suction hose complete NW35 1.9m (4.440-085.3)	7
10 Repair set NW35 (2.889-149.0)	8
125 Floor tool packaged grey DN 35 300mm (2.889-263.0)	10



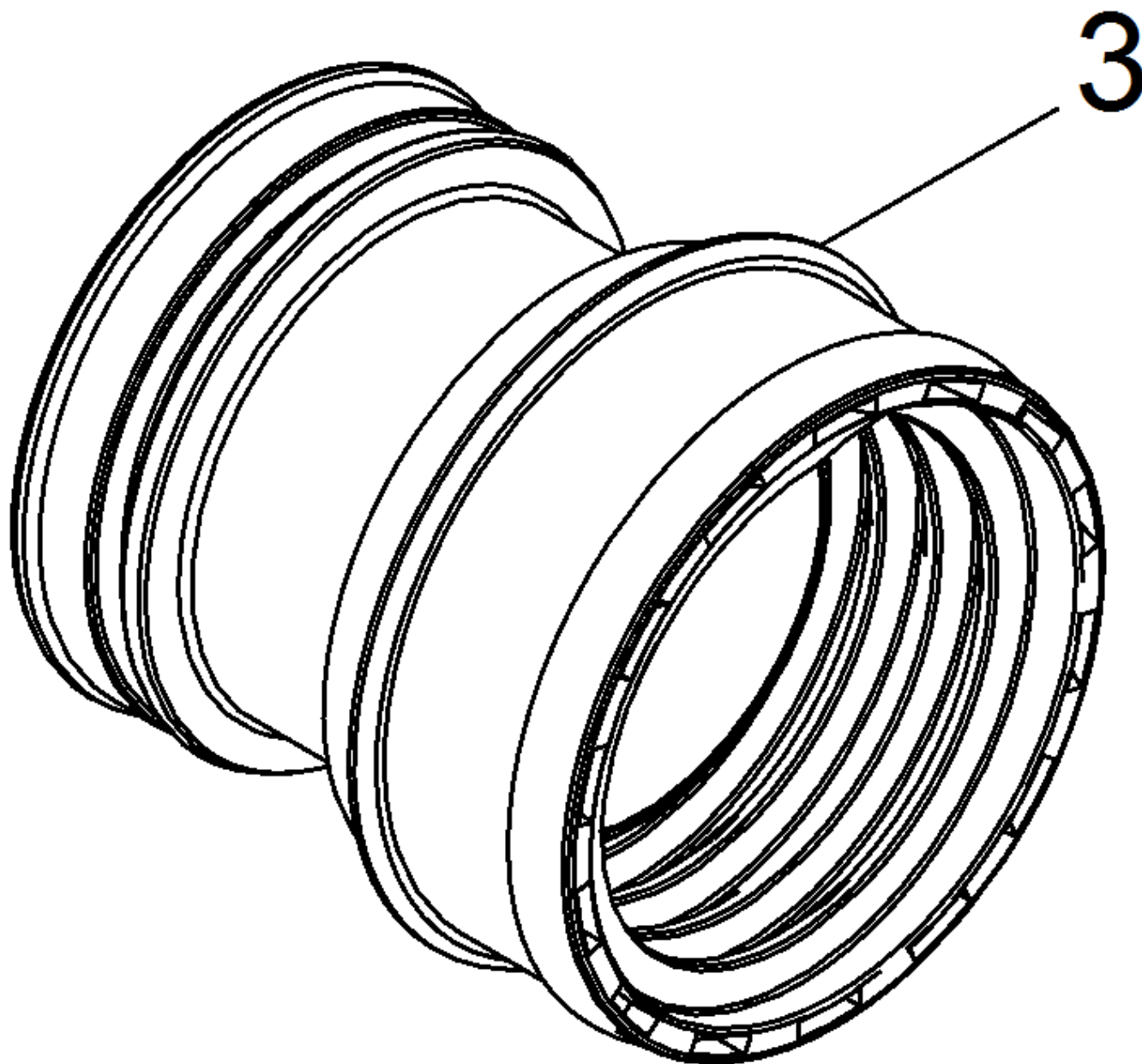


POS	Article no.	Description	Quantity	Unit
20	4.066-041.0	Cover complete only for replacement	1.000	ST
21	5.322-265.3	Handhold	1.000	ST
22	5.324-188.0	Pushbutton dedusting	1.000	ST
23	5.036-176.0	Flap dedusting	1.000	ST
24	5.332-997.0	Helical spring	1.000	ST
25	9.048-077.0	Seal switch TE	1.000	ST
29	5.034-294.0	Handle rope	1.000	ST
30	6.907-623.0	Loop	1.000	ST
31	5.034-505.0	Retaining bracket cable	1.000	ST
35	5.605-086.0	Housing base plate	1.000	ST
36	5.034-284.0	Suction connection NT 22/1	1.000	ST
38	5.034-021.0	Strap closure RAL 1018	2.000	ST
39	5.036-200.0	Filter protection	1.000	ST
40	5.032-108.0	Filtering basket NT 22/1	1.000	ST
41	5.585-054.0	Floater	1.000	ST
44	4.075-012.0	Closure complete	1.000	ST
46	2.889-219.0	Cartridge filter packaged PES	1.000	ST
47	5.286-015.3	Insulating mat air circulation 1	1.000	ST
50	5.070-184.3	Tank NT 22/1	1.000	ST
51	5.515-224.0	Wheel D120	2.000	ST
52	6.435-420.0	Double castor	2.000	ST
60	6.646-561.0	Plug socket *EU	1.000	ST
61	9.037-001.0	Frame PT	1.000	ST
62	5.392-775.3	Label (100-2100W)	1.000	ST
80	4.610-057.0	Blower motor complete replacement	1.000	ST
81	6.630-835.0	Switch for version Ap Te	1.000	ST
82	6.650-332.0	Power cable 6m PVC *EU	1.000	ST
83	6.683-021.0	Electronics NT Good	1.000	ST
86	2.850-165.0	Set cable replacement	2.000	ST
94	6.647-748.0	Insulation sheath	2.000	ST
96	6.641-458.0	Cable tape nature 4,6x150mm	1.000	ST
100	7.303-086.0	Screw 5x30 -10.9-R2R (K-In6Rd)	11.000	ST
101	6.303-150.0	Screw 4,2x 22	2.000	ST

POS	Article no.	Description	Quantity	Unit
103	6.633-534.0	Oval head screw with Kombi-Torx 3x18	2.000	ST
120	2.889-199.0	Elbow packaged NW35 1K	1.000	ST
121	6.902-074.0	Suction tube chromed NW35 - 505mm	2.000	ST
122	4.440-085.3	Suction hose complete NW35 1.9m	1.000	ST
123	2.889-159.0	Crevice nozzle wet and dry packaged NW35	1.000	ST
124	2.889-217.0	Filter bags fleece 5ST	1.000	ST
125	2.889-263.0	Floor tool packaged grey DN 35 300mm	1.000	ST
128	5.303-877.0	Attachment rubber sleeve	1.000	ST
132	5.392-837.0	Label L-label	1.000	ST

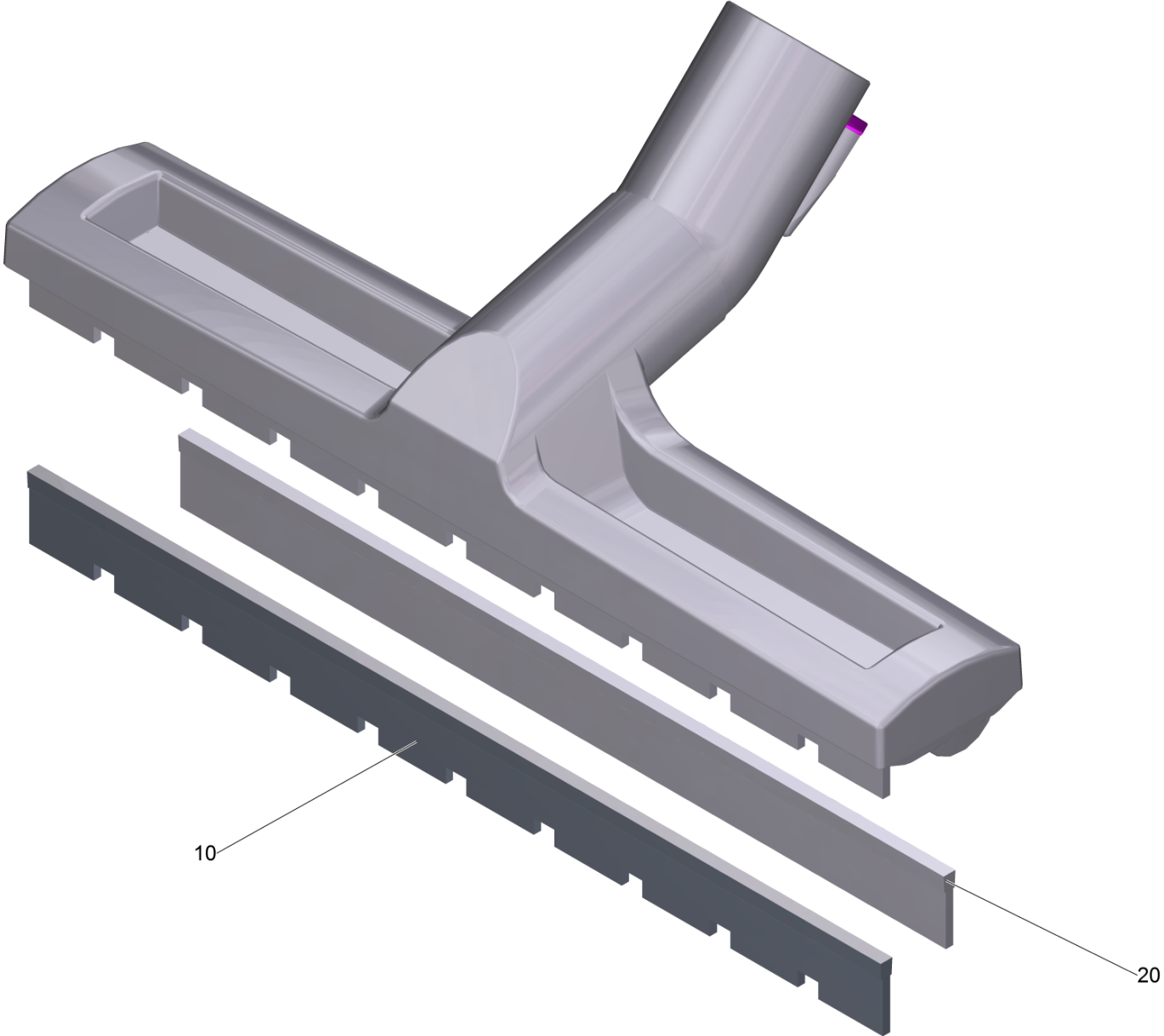
122 Suction hose complete NW35 1.9m (4.440-085.3)

POS	Article no.	Description	Quantity	Unit
10	2.889-149.0	Repair set NW35	1.000	ST



10 Repair set NW35 (2.889-149.0)

POS	Article no.	Description	Quantity	Unit
3	5.406-005.0	Threaded ring electrically conducting NW	1.000	ST



125 Floor tool packaged grey DN 35 300mm (2.889-263.0)

POS	Article no.	Description	Quantity	Unit
10	6.903-278.0	Brush strips set	1.000	ST
20	6.903-277.0	Set suction lips	1.000	ST