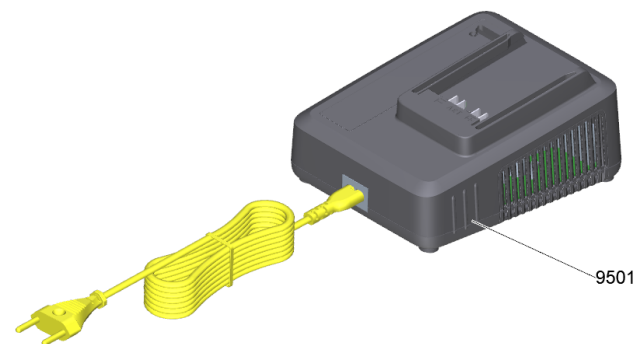
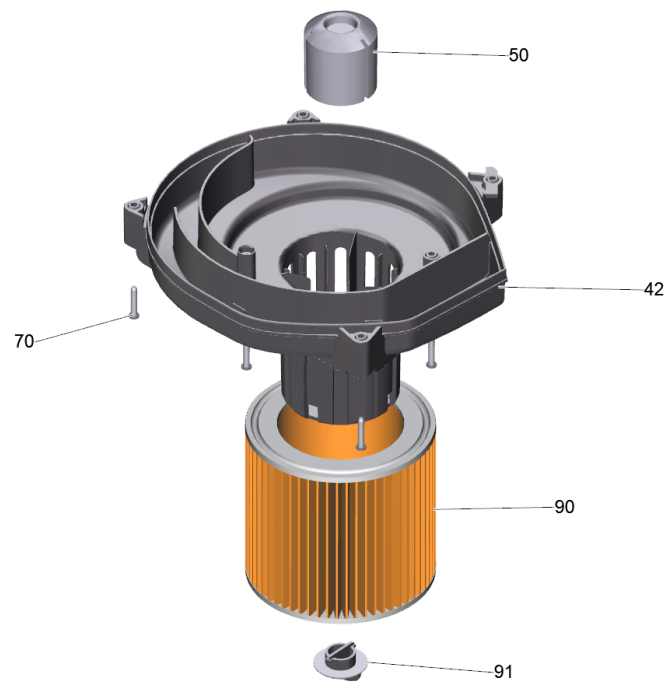
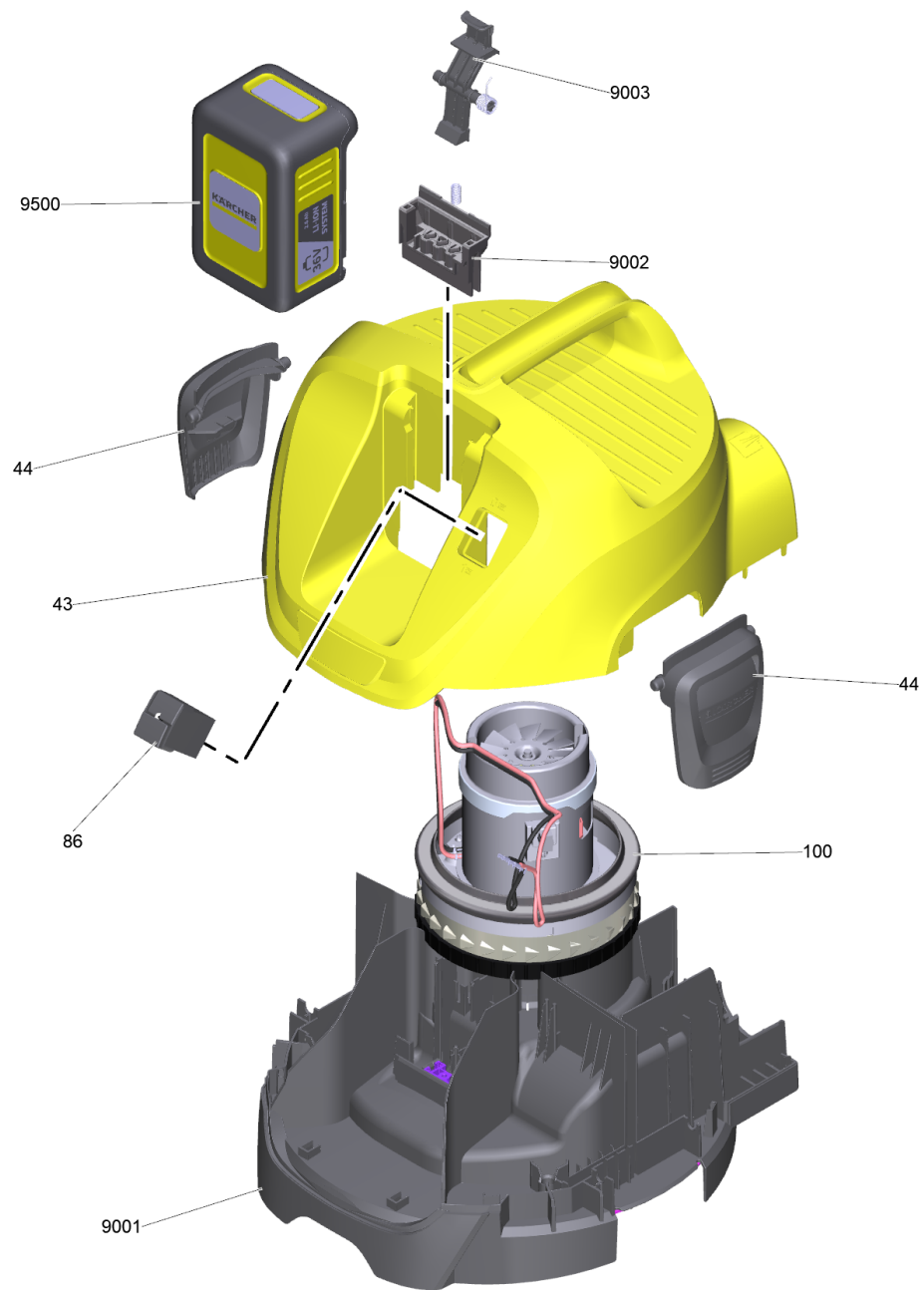


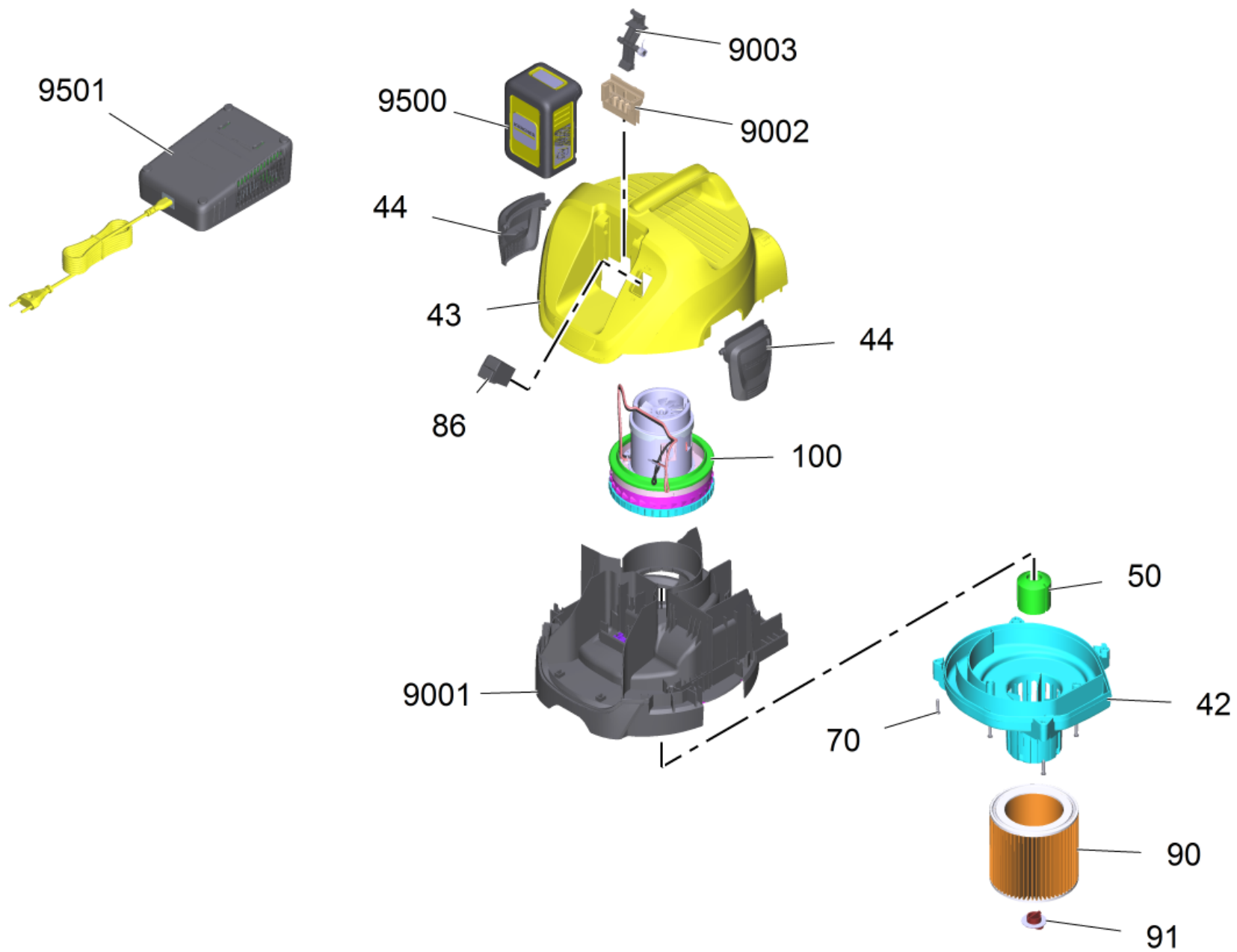
Spare parts list

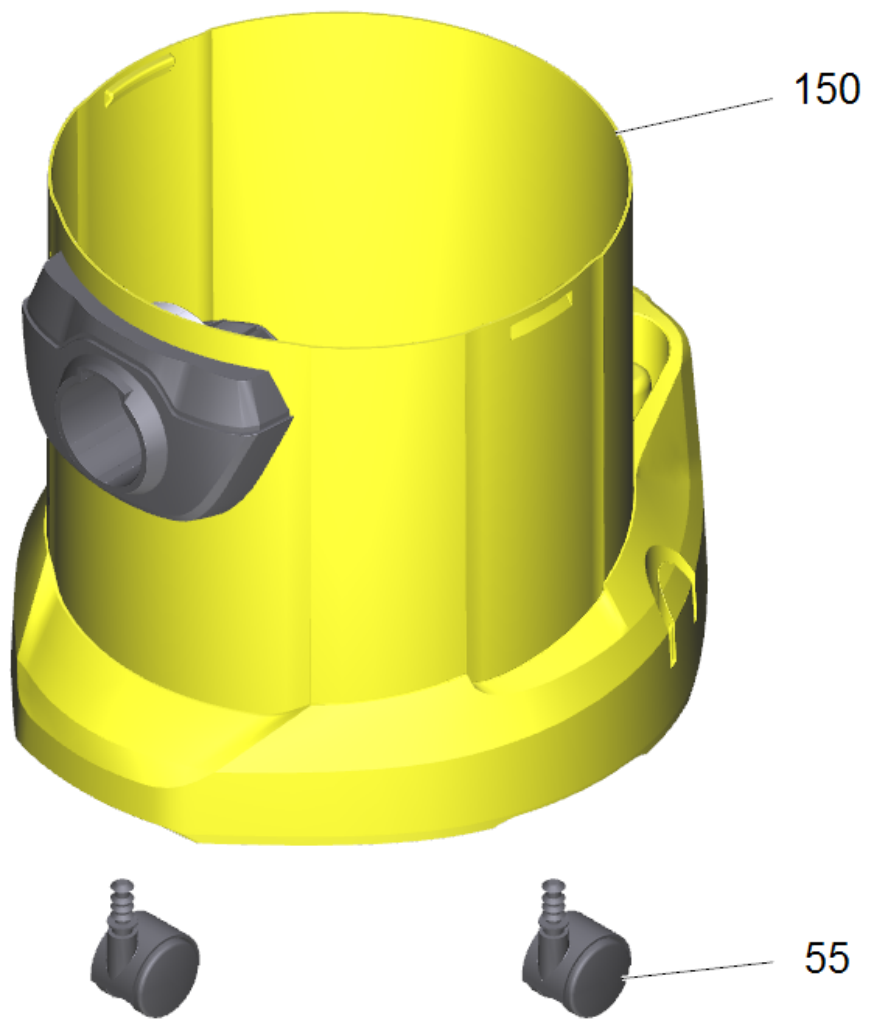
(1.629-910.0) WD 3 Battery *INT

Table of contents

WD 3 Battery *INT (1.629-910.0)	3
90 Cartridge filter WD/SE (6.414-552.0)	7
150 Tank plastics packaged (4.440-010.0)	9
9000 Accessories	11

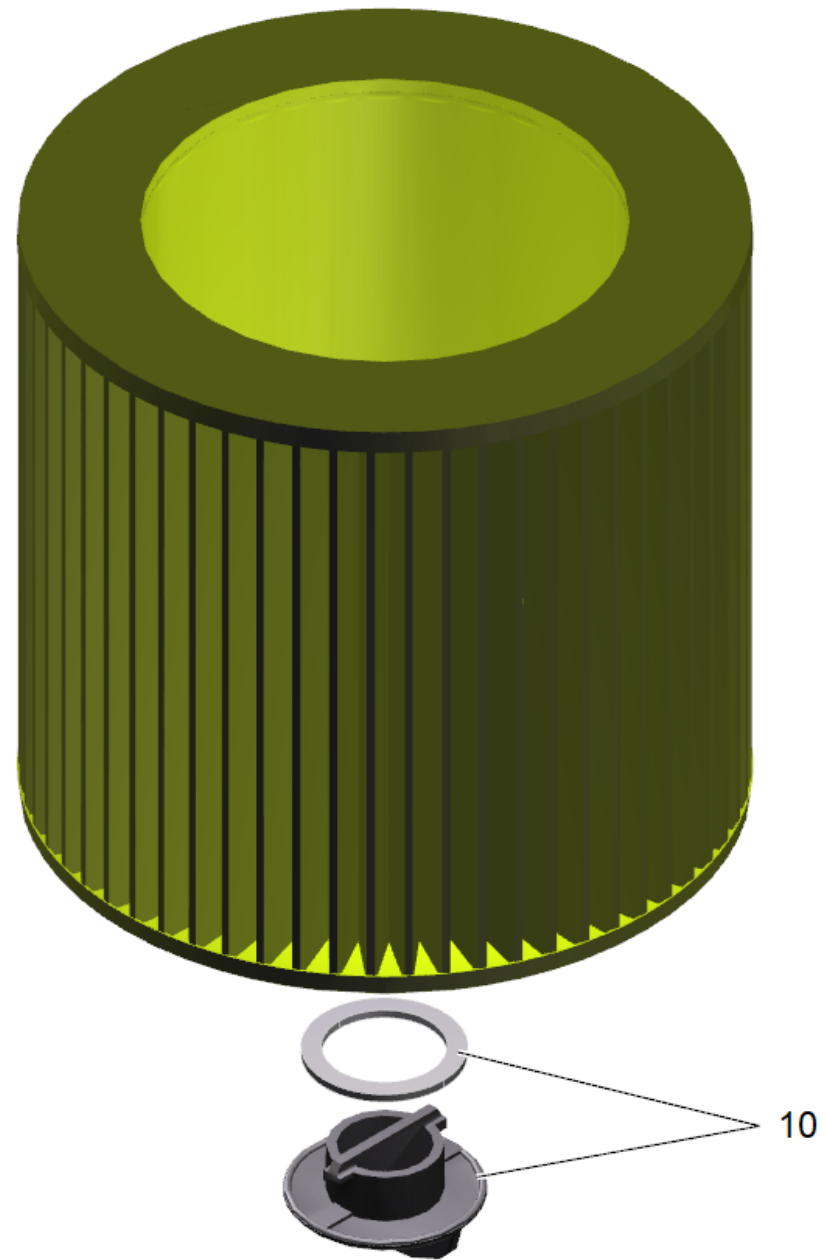






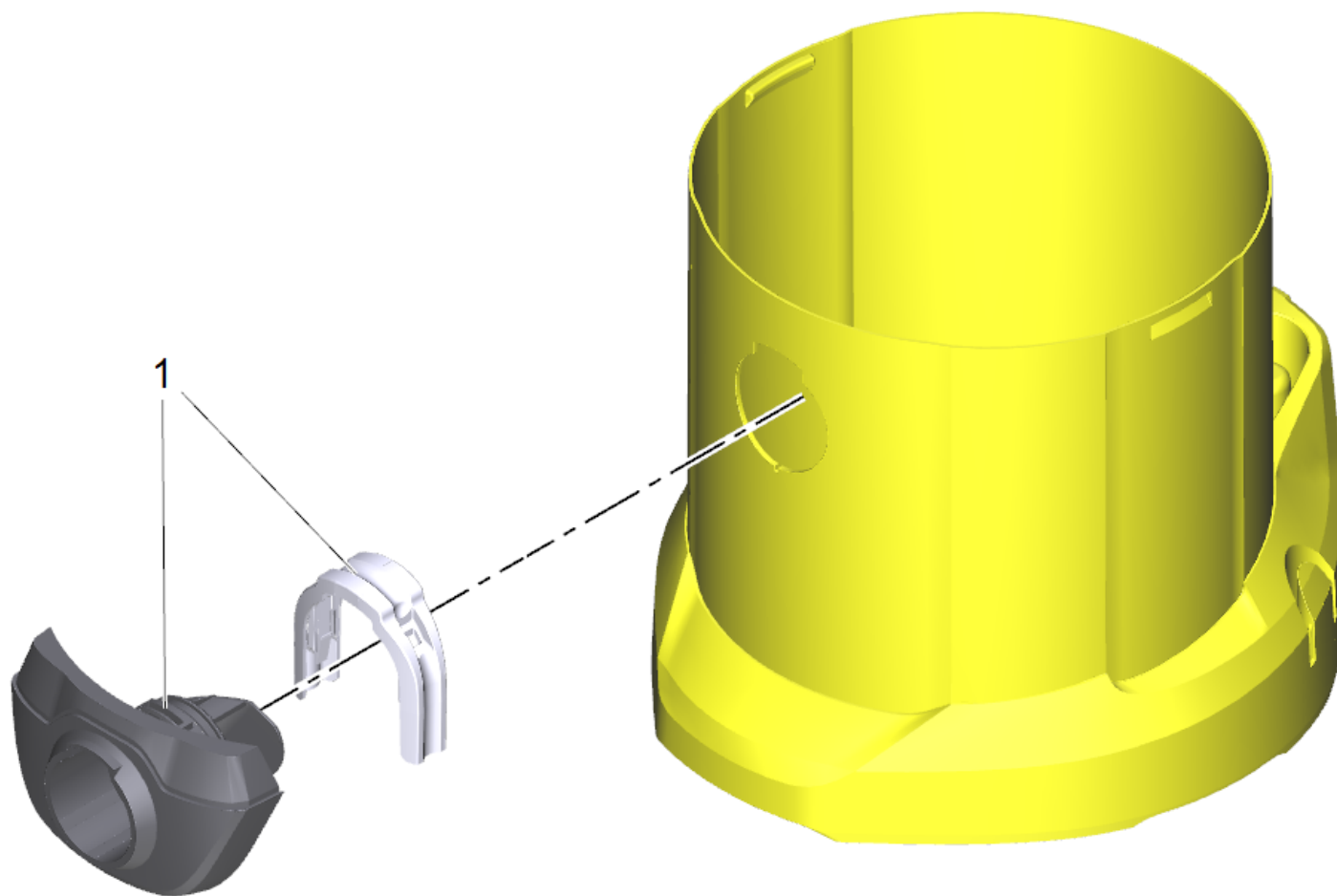
WD 3 Battery *INT (1.629-910.0)

POS	Article no.	Description	Quantity	Unit	Remark
42	5.731-646.0	Filter cage	1	PC	
43	4.069-055.0	Cover WD 3 Battery complete	1	PC	
44	5.075-037.0	Closure	2	PC	
50	5.585-062.0	Float ECO	1	PC	
55	6.435-353.0	Castor D 42	4	PC	
70	6.303-150.0	Screw 4,2x 22	6	PC	
86	6.630-087.0	Switch	1	PC	
90	6.414-552.0	Cartridge filter WD/SE	1	PC	
91	4.075-012.0	Closure complete	1	PC	
100	4.624-353.3	Blower motor only for replacement	1	PC	
150	4.440-010.0	Tank plastics packaged	1	PC	
9000		Accessories	1	PC	
9001	4.053-005.0	Set motor bracket	1	PC	
9002	4.053-006.0	Set ejector accumulator	1	PC	
9003	4.053-007.0	Set releasing device accumulator	1	PC	
9500	2.445-031.0	Battery Power 36/50 DW *INT	1	PC	36V/5,0Ah
9500	2.445-030.0	Battery Power 36/25 DW *INT	1	PC	36V/2,5Ah
9501	2.445-033.0	Fast battery recharger Battery Power 36 V *EU	1	PC	36V/2,5A *EU
9501	2.445-033.0	Fast battery recharger Battery Power 36 V *EU	1	PC	36V/2,5A *EU
9501	2.445-037.0	Fast battery recharger Battery Power 36 V *GB	1	PC	36V/2,5A *GB
9501	2.445-039.0	Fast battery recharger Battery Power 36 V *JP	1	PC	36V/2,5A *JP
9501	2.445-041.0	Fast battery recharger Battery Power 36 V *AU	1	PC	36V/2,5A *AU
9501	2.445-045.0	Battery charger Battery Power+ 36/60 *EU	1	PC	36V/6,0A *EU
9501	2.445-047.0	Battery charger Battery Power+ 36/60 *GB	1	PC	36V/6,0A *GB
9501	2.445-049.0	Battery charger Battery Power+ 36/60 *JP	1	PC	36V/6,0A *JP
9501	2.445-051.0	Battery charger Battery Power+ 36/60 *AU	1	PC	36V/6,0A *AU
9501	2.445-053.0	Battery charger Battery Power+ 36/60 *CUL	1	PC	36V/6,0A *US
9501	2.445-054.0	Uni-Charger Battery Power+ 18-36/60 *EU	1	PC	18-36V/2,5-6A *EU
9501	2.445-055.0	Uni-Charger Battery Power+ 18-36/60 *GB	1	PC	18-36V/2,5-6A *GB
9501	2.445-056.0	Uni-Charger Battery Power+ 18-36/60 *JP	1	PC	18-36V/2,5-6A *JP
9501	2.445-057.0	Uni-Charger Battery Power+ 18-36/60 *AU	1	PC	18-36V/2,5-6A *AU
9501	2.445-058.0	Uni-Charger Battery Power+ 18-36/60 *CUL	1	PC	18-36V/2,5-6A *US



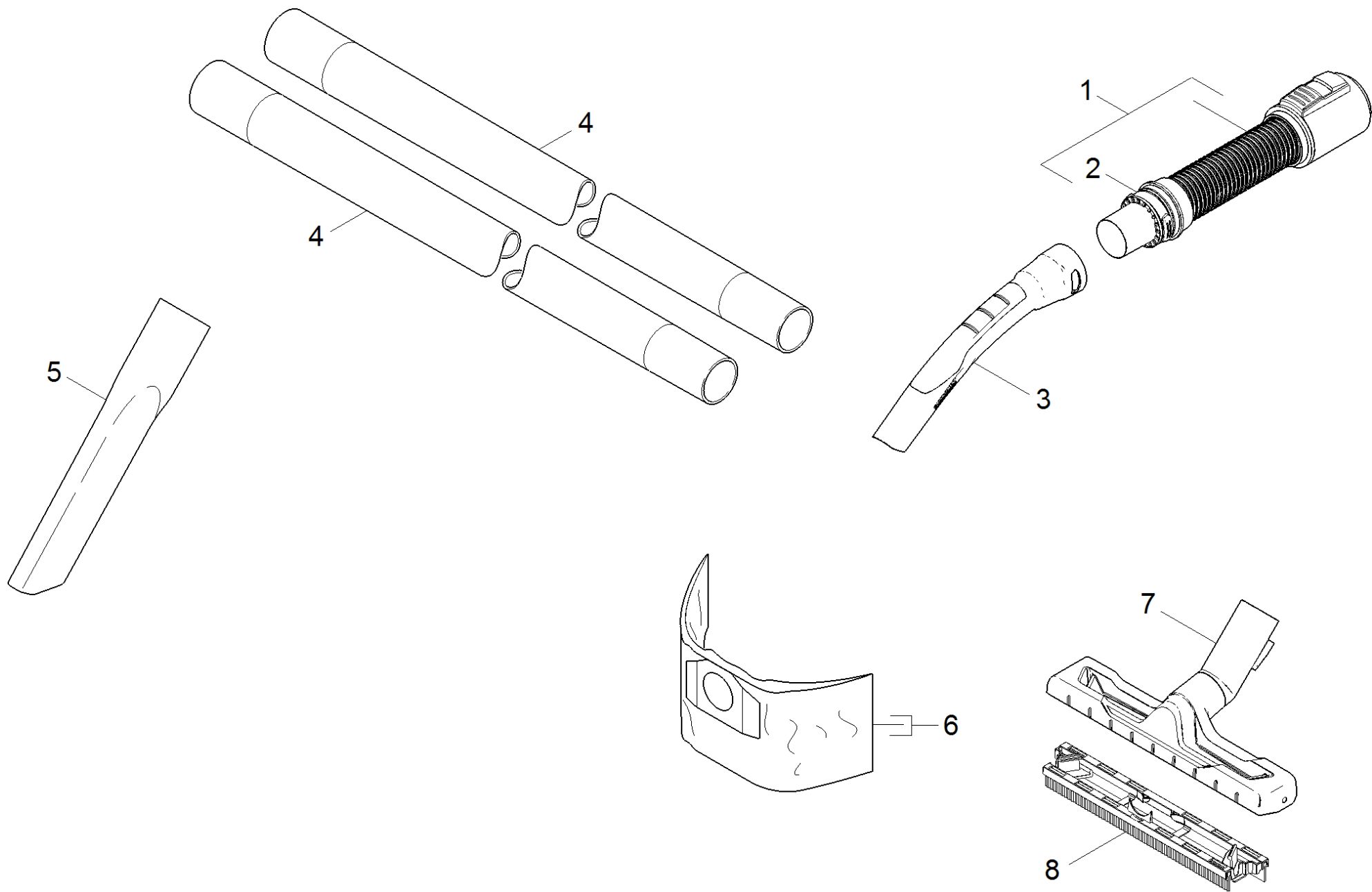
90 Cartridge filter WD/SE (6.414-552.0)

POS	Article no.	Description	Quantity	Unit
10	4.075-012.0	Closure complete	1	PC



150 Tank plastics packaged (4.440-010.0)

POS	Article no.	Description	Quantity	Unit
1	2.885-402.0	Suction connection complete packaged	1	PC



9000 Accessories

POS	Article no.	Description	Quantity	Unit
1	4.441-066.0	Hose complete packaged	1	PC
2	6.645-688.0	Spring washer suction hose	1	PC
3	2.863-012.0	Hand grip suction hose	1	PC
4	2.863-308.0	Extension suction tube WD ID 35	2	PC
5	6.900-385.0	Crevice nozzle DN35	1	PC
6	6.959-130.0	Filter bag WD/SE 5pc.	1	ZSA
7	4.629-013.0	Floor tool clip packaged	1	PC
8	4.629-014.0	Insert wet floor nozzle packaged	1	PC
8	4.629-015.0	Insert dry floor nozzle packaged	1	PC
8	4.629-016.0	Mixing insert floor nozzle packaged	1	PC