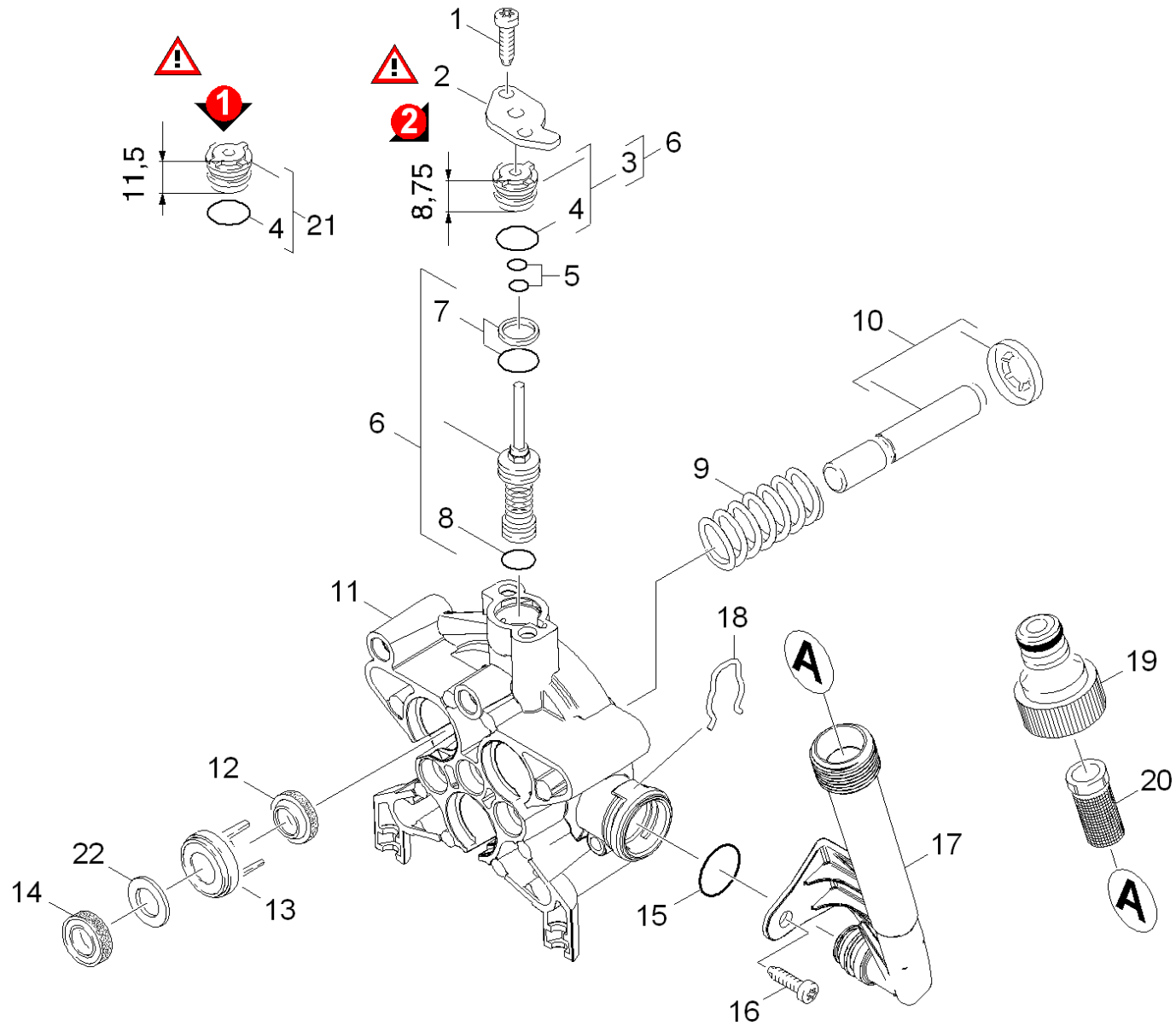


22 Thrust guidance

Home and Garden \ High pressure cleaner cold water \ Electric motor \ K 5 \ K 5.91 MD PLUS SWB*EU \ Spare parts list K5.91M \ Pump set \ Thrust guidance

KÄRCHER



22 Thrust guidance

Home and Garden \ High pressure cleaner cold water \ Electric motor \ K 5 \ K 5.91 MD PLUS SWB*EU \ Spare parts list K5.91M \ Pump set \ Thrust guidance



| POS | Article no. | Description | Quantity | Unit |
|-----|--------------------------------|--|----------|------|
| 18 | 5.048-915.0 | Clamp | 1.000 | ST |
| 19 | 6.465-031.0 | Connection 3/4 | 1.000 | ST |
| 2 | 5.064-127.0 | Cover | 1.000 | ST |
| 6 | 4.580-666.0 | Excess-current complete D5,7 PUR | 1.000 | ST |
| 20 | 5.731-620.0 | Fine filter | 1.000 | ST |
| 14 | 6.362-875.0 | Grooved ring | 3.000 | ST |
| 14 | 6.365-394.0 | Grooved ring 12x20x5,3/2,8 | 3.000 | ST |
| | Item text1: 1.396-809.0 | | | |
| 3 | 4.030-123.0 | Moulded part complete only for replaceme | 1.000 | ST |
| 21 | 4.030-069.0 | Moulded part complete only for replaceme | 1.000 | ST |
| 8 | 6.362-958.0 | O-Ring seal 9 x 2-NBR 90 | 1.000 | ST |
| 4 | 6.362-169.0 | O-Ring seal 12,0 X 2,0 | 1.000 | ST |
| 15 | 6.363-610.0 | O-Ring seal 13 x 3 -NBR | 1.000 | ST |
| 5 | 6.362-852.0 | O-Ring seal complete 3,69 | 1.000 | ST |
| 7 | 6.363-174.0 | O-Ring seal complete 12,42 | 1.000 | ST |
| 12 | 6.365-393.0 | Oil sealing 12x20x4/6 | 3.000 | ST |
| 10 | 4.553-228.0 | Piston complete D12 | 3.000 | ST |
| 10 | 4.553-276.0 | Piston complete D12 | 3.000 | ST |
| | Item text1: 1.396-809.0 | | | |
| 11 | 5.060-943.0 | Piston guidance | 1.000 | ST |
| 9 | 5.332-391.0 | Pressure spring | 3.000 | ST |
| 16 | 7.303-037.0 | Screw M5x10 -St-P2R (In6Rd) | 1.000 | ST |
| 1 | 6.303-265.0 | Self-tapping screw M6x20 | 2.000 | ST |
| 17 | 5.128-762.0 | Tube water intake | 1.000 | ST |
| 22 | 5.115-721.0 | Washer | 3.000 | ST |
| | Item text1: 1.396-809.0 | | | |
| 13 | 5.116-062.0 | Washer | 3.000 | ST |
| | Item text1: 1.396-809.0 | | | |
| 13 | 5.116-078.0 | Washer K5.. | 3.000 | ST |