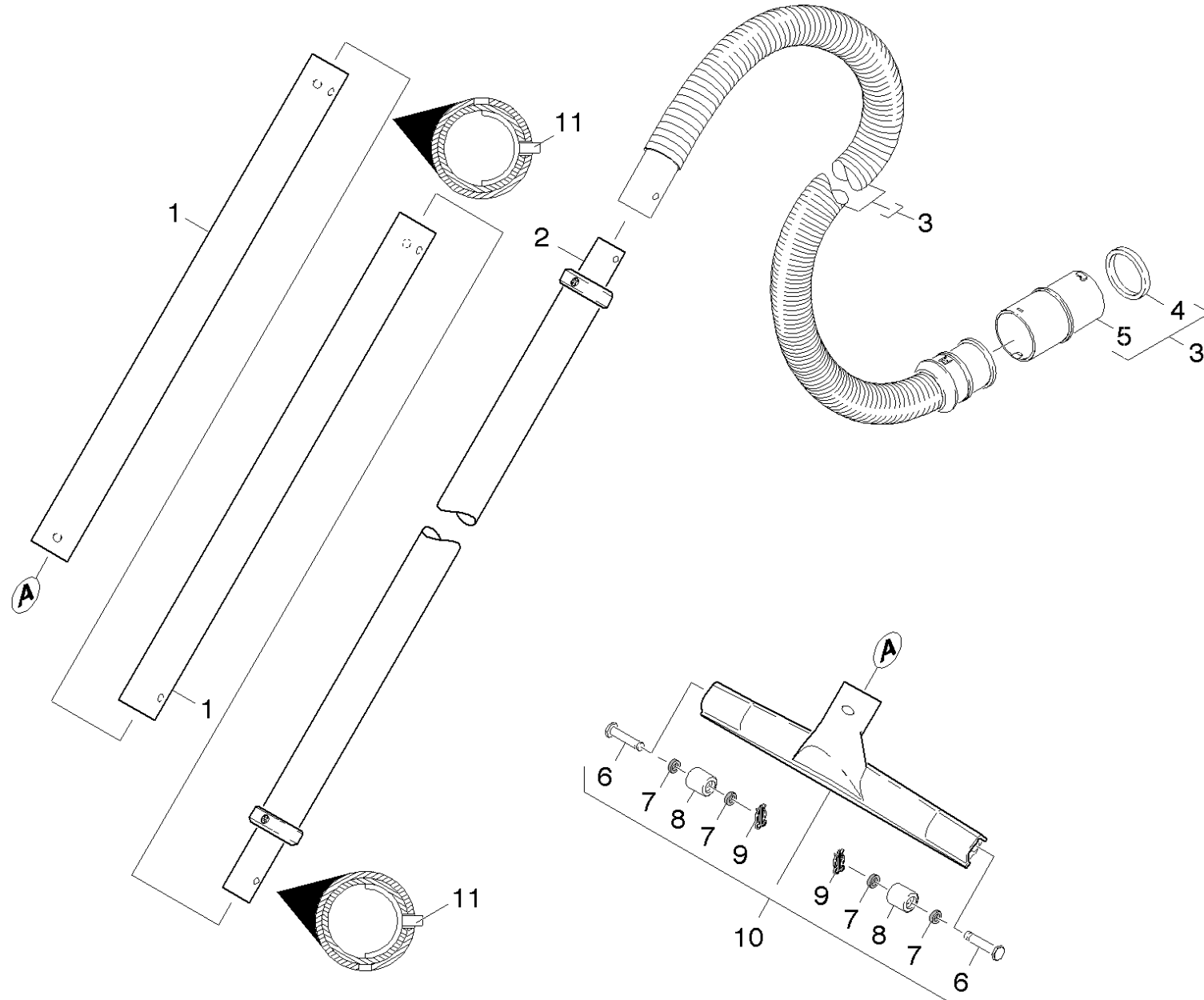


# 10 Oven set

Professional \ Vacuum cleaner \ Wet-/dry vacuum cleaner \ NT 40/1 Tact Bs \*EU \ Oven set \ Oven set



## 10 Oven set

Professional \ Vacuum cleaner \ Wet-/dry vacuum cleaner \ NT 40/1 Tact Bs \*EU \ Oven set \ Oven set

**KÄRCHER**

POS	Article no.	Description	Quantity	Unit
1	6.902-124.0	Suction tube DN35	2	PC
2	4.321-161.0	Suction tube complete	1	PC
3	4.440-731.0	Suction hose DN 35	1	PC
4	5.114-105.0	Ring	1	PC
5	5.470-014.0	Coupler	1	PC
6	5.317-105.0	Bolt	2	PC
7	6.276-043.0	Washer felt	4	PC
8	5.515-196.0	Roller	2	PC
9	6.330-222.0	Spring clip	2	PC
10	4.130-173.0	Bakery nozzle DN35	1	PC
11	6.903-239.0	Plate spring	2	PC