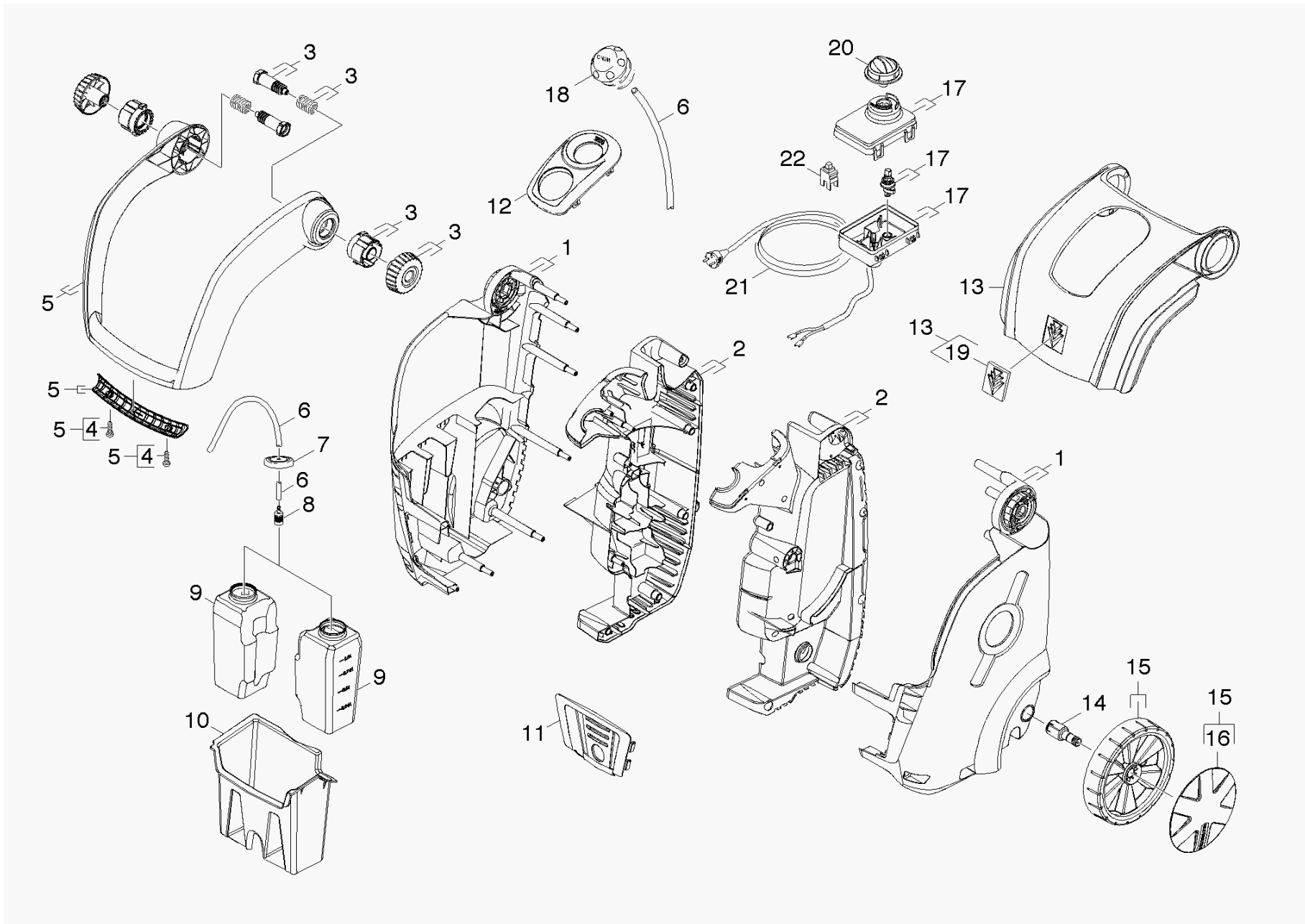


# 11 Housing

Home and Garden \ High pressure cleaner cold water \ Electric motor \ K 5 \ K 5.96 Plus M \*EU \ Spare parts list K 5.96 \ Housing \ Housing



## 11 Housing

Home and Garden \ High pressure cleaner cold water \ Electric motor \ K 5 \ K 5.96 Plus M \*EU \ Spare parts list K 5.96 \ Housing \ Housing



POS	Article no.	Description	Quantity	Unit	Foot note text
14	9.037-103.0	Axle	2.000	ST	
21	9.084-181.0	Cable with plug	1.000	ST	
	<b>Item text1:</b> 1.630-502.0				
21	9.084-155.0	Cable with plug *EU K496/596	1.000	ST	
7	6.412-057.0	Cap of a tank with valve	1.000	ST	
13	9.001-345.0	Cover complete	1.000	ST	
11	9.001-347.0	Covering cap	1.000	ST	
17	9.001-349.0	Electric box complete	1.000	ST	
8	5.731-652.0	Filter with weight	1.000	ST	
5	9.001-344.0	Handhold complete	1.000	ST	
20	9.037-011.0	Handle	1.000	ST	
10	9.037-092.0	Holder tank	1.000	ST	
6	6.388-216.0	Hose DN 5	1.000	M	TO ORDER AS CUT GOODS
1	9.001-346.0	Housing complete	1.000	ST	
2	9.001-343.0	Housing complete	1.000	ST	
19	9.036-941.0	Label FIRMENLOGO	1.000	ST	
18	4.580-000.0	Proportioning valve chemistry	1.000	ST	
4	9.086-221.0	Screw ATF 4.1x22	2.000	ST	
15	2.884-860.0	Spare part set wheel	1.000	ST	
16	2.884-861.0	Spare part set wheel cap	1.000	ST	
12	9.037-107.0	Switch faceplate K5	1.000	ST	
22	9.085-031.0	Switch two-pole	1.000	ST	
9	9.037-105.0	Tank	1.000	ST	
3	9.001-341.0	Turning knob complete	2.000	ST	