

## **Spare parts list**

(1.439-310.0) SV 1902 \*EU

## Table of contents

---

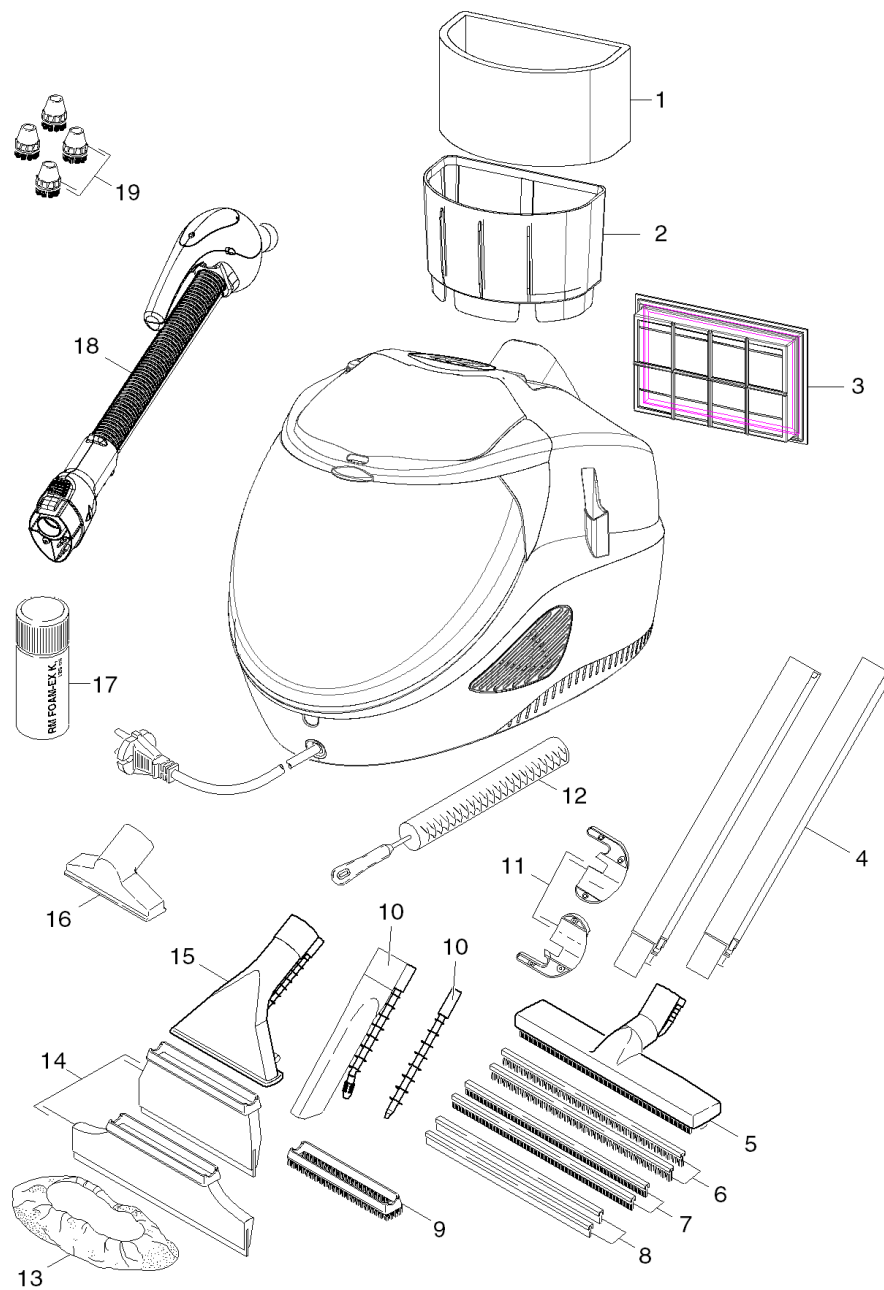
SV 1902 *EU (1.439-310.0)	3
Short spare parts list	4
Spare parts list SV 1902 (5.970-491.0)	6
10 Individual parts	7
11 Top part	8
12 Bottom part	10
13 Filter	12
20 Boiler	14
30 Accessories	16
40 Smoothing iron	18
41 Smoothing iron	19
42 Smoothing iron	21
43 Smoothing iron I 6006 - SV 7 (4.862-005.0)	23

SV 1902 \*EU (1.439-310.0)

---

POS	Article no.	Description	Quantity	Unit
0		Short spare parts list	1.000	ST
0	5.970-491.0	Spare parts list SV 1902	1.000	ST

Short spare parts list



## Short spare parts list

POS	Article no.	Description	Quantity	Unit
1	6.402-024.0	Filter foam replacement SV	1.000	ST
2	6.402-029.0	Filter cartridge replacement SV	1.000	ST
3	2.860-229.0	Filter /Hepa SV	1.000	ST
4	6.402-035.0	Suction tube SV1802/1902 n.f.Ersatz	2.000	ST
5	6.402-034.0	Floor tool only for replacement SV1802/1	1.000	ST
6	6.402-037.0	Strip set brush lamellas SV1802/1902	1.000	ST
7	6.402-038.0	Strip set rubber SV1802/1902	1.000	ST
8	6.402-039.0	Strip set hard rubber SV1802/1902	1.000	ST
9	6.402-041.0	Brush-corona SV 1802/1902	1.000	ST
10	6.402-044.0	Point jet nozzle SV 1802/1902	1.000	ST
11	6.402-036.0	Bracket for replacement SV1802/1902	1.000	ST
12	6.402-043.0	Brush pipe cleaning replacement SV	1.000	ST
13	6.370-990.0	Cloth set	1.000	ST
14	6.402-042.0	Set rubber lip hand nozzle SV 1802/1902	1.000	ST
15	6.402-040.0	Housing hand nozzle upholstery nozzle	1.000	ST
16	6.905-998.0	Upholstery nozzle complete NW35	1.000	ST
17	6.290-852.0	RM FOAMSTOP neutral,125ml*DE,FR,IT,EN,NL	1.000	ST
18	6.402-185.0	Steam hose replacement new SV1802/1902	1.000	ST
19	2.860-231.0	Set brushes SV	4.000	ST

Spare parts list SV 1902 (5.970-491.0)

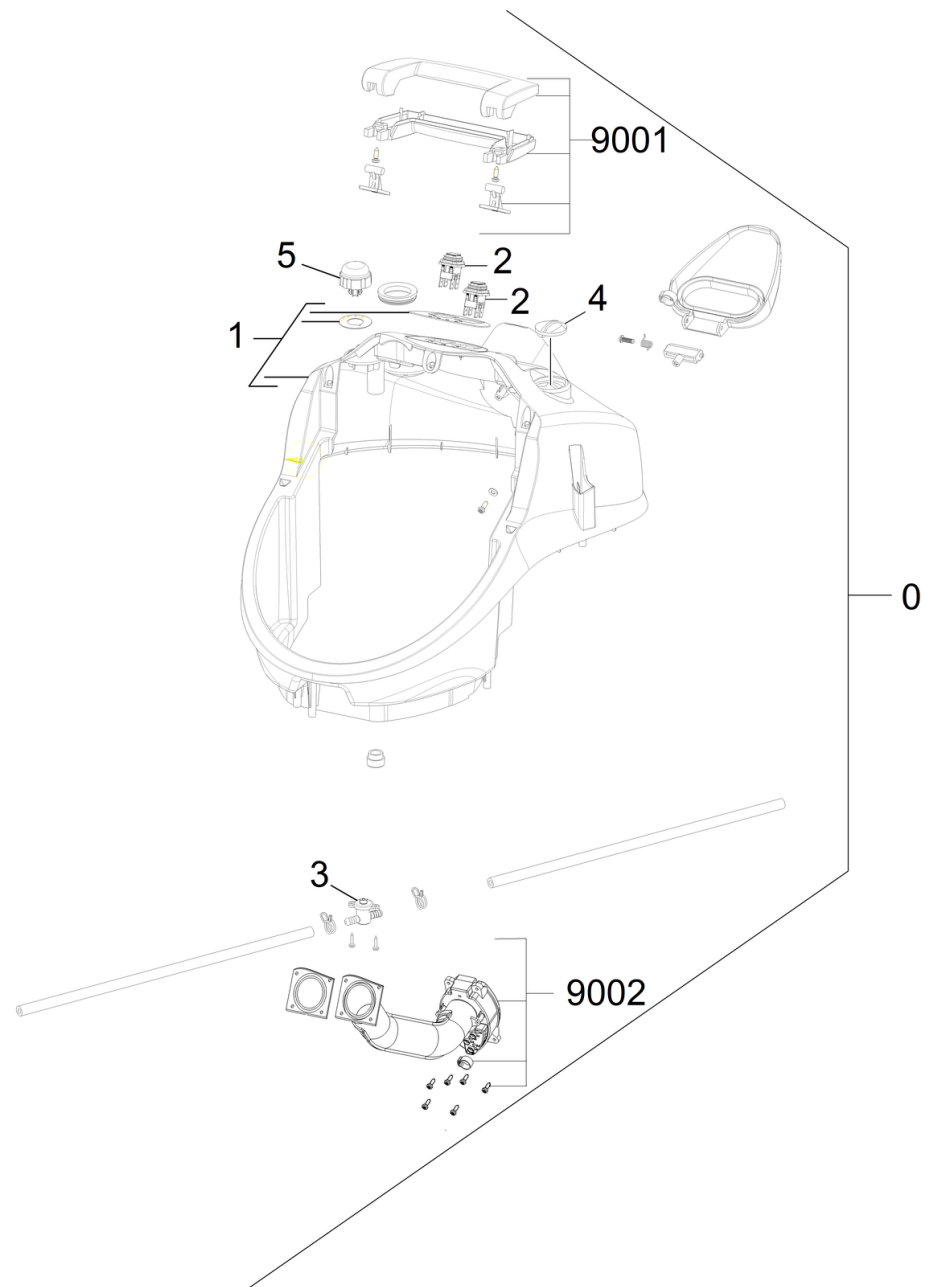
---

<b>POS</b>	<b>Description</b>	<b>Quantity</b>	<b>Unit</b>
10	Individual parts	1.000	ST
20	Boiler	1.000	ST
30	Accessories	1.000	ST
40	Smoothing iron	1.000	ST

## 10 Individual parts

---

<b>POS</b>	<b>Description</b>	<b>Quantity</b>	<b>Unit</b>
11	Top part	1.000	ST
12	Bottom part	1.000	ST
13	Filter	1.000	ST

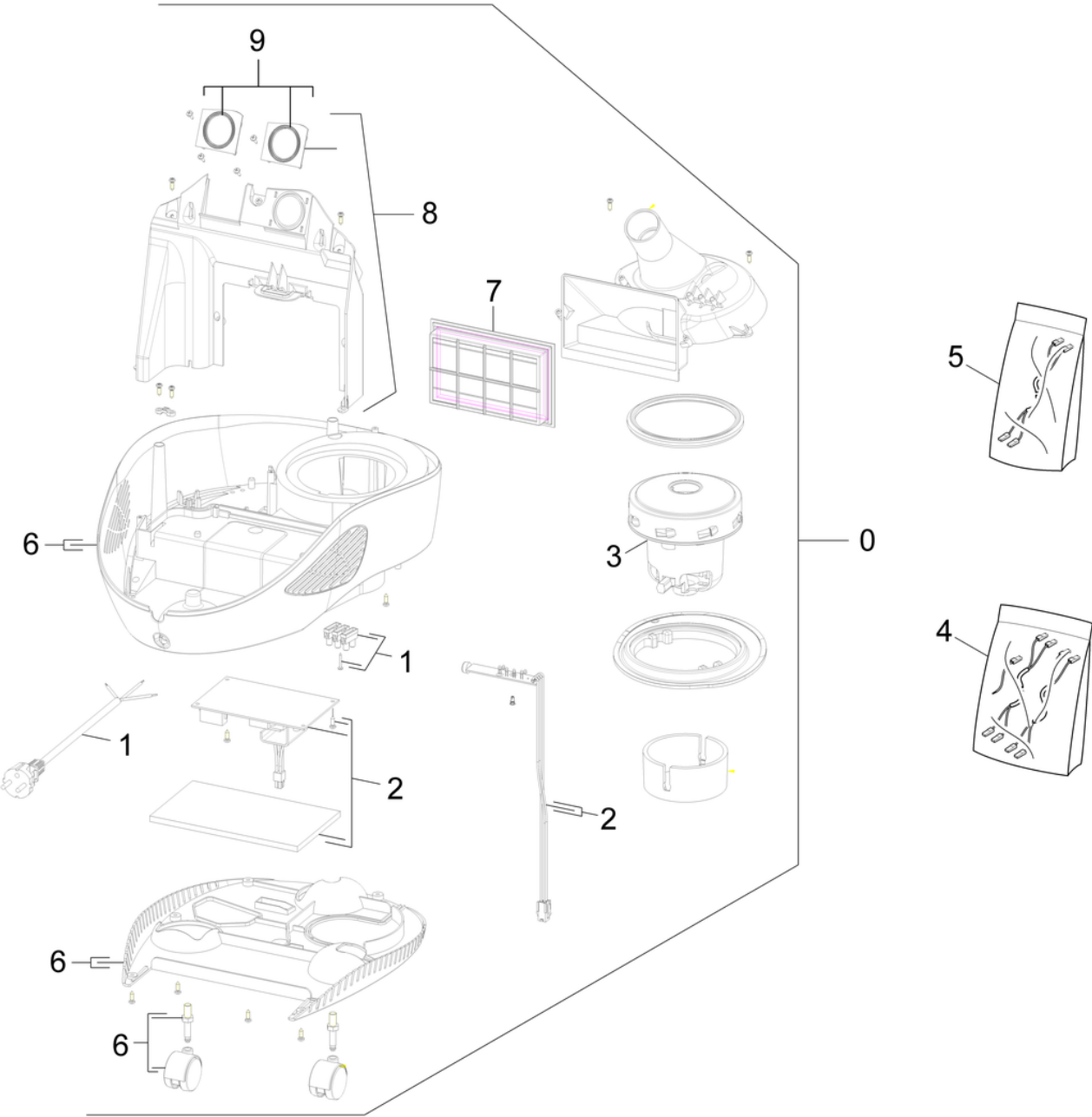




## 11 Top part

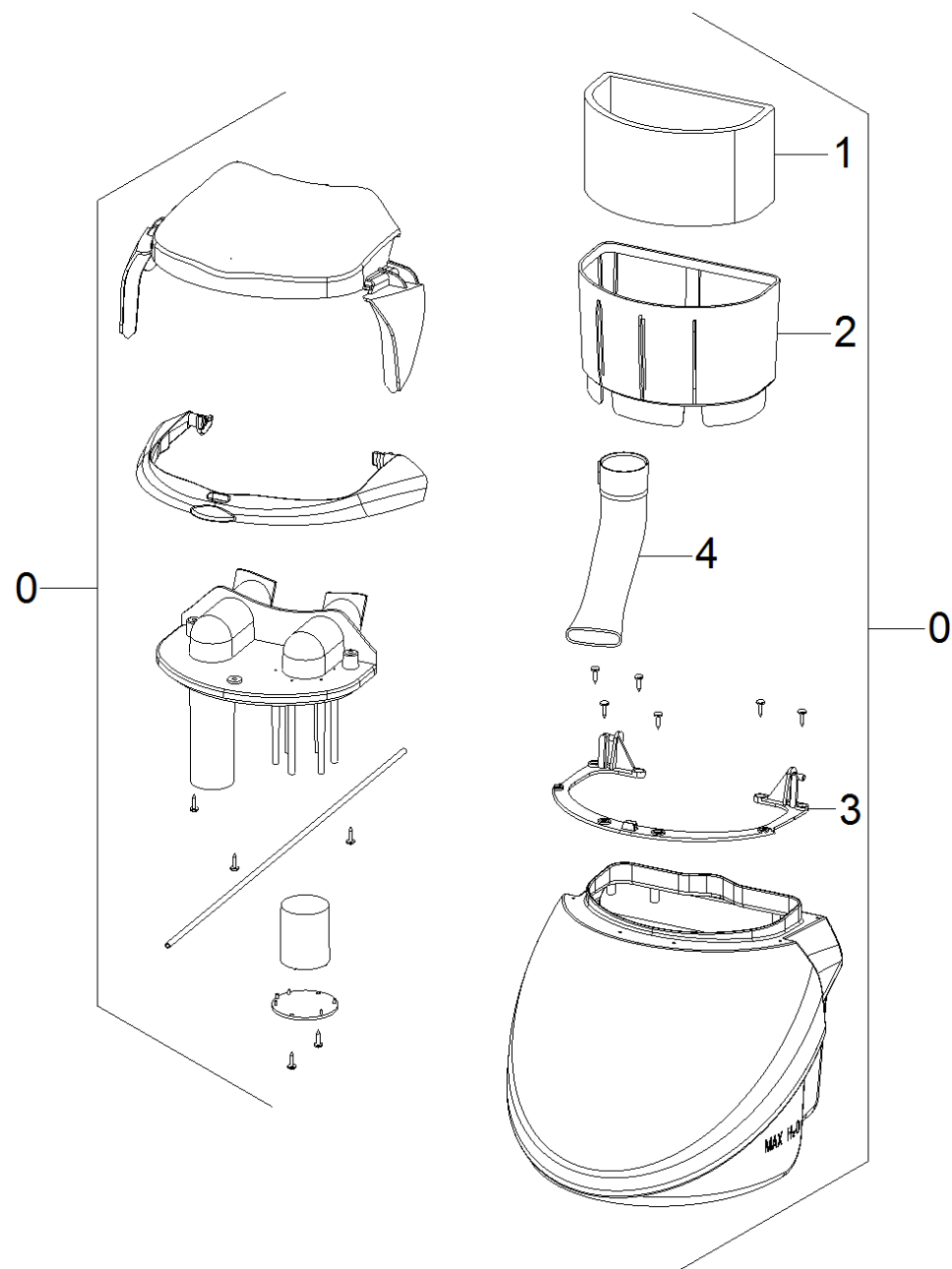
---

<b>POS</b>	<b>Article no.</b>	<b>Description</b>	<b>Quantity</b>	<b>Unit</b>
0	6.402-018.0	Housing top part only for replacement SV	1.000	ST
1	6.402-031.0	Housing top part SV 1902	1.000	ST
2	6.402-030.0	Pushbutton replacement SV	2.000	ST
3	6.402-046.0	Control device replacement SV	1.000	ST
4	6.402-051.0	Cover for water tank	1.000	ST
5	6.402-052.0	Turning knob SV 1802/1902	1.000	ST
9001	6.402-176.0	Set handhold replacement SV 1802/1902	1.000	ST
9002	6.402-177.0	Set elbow replacement SV 1802/1902	1.000	ST



## 12 Bottom part

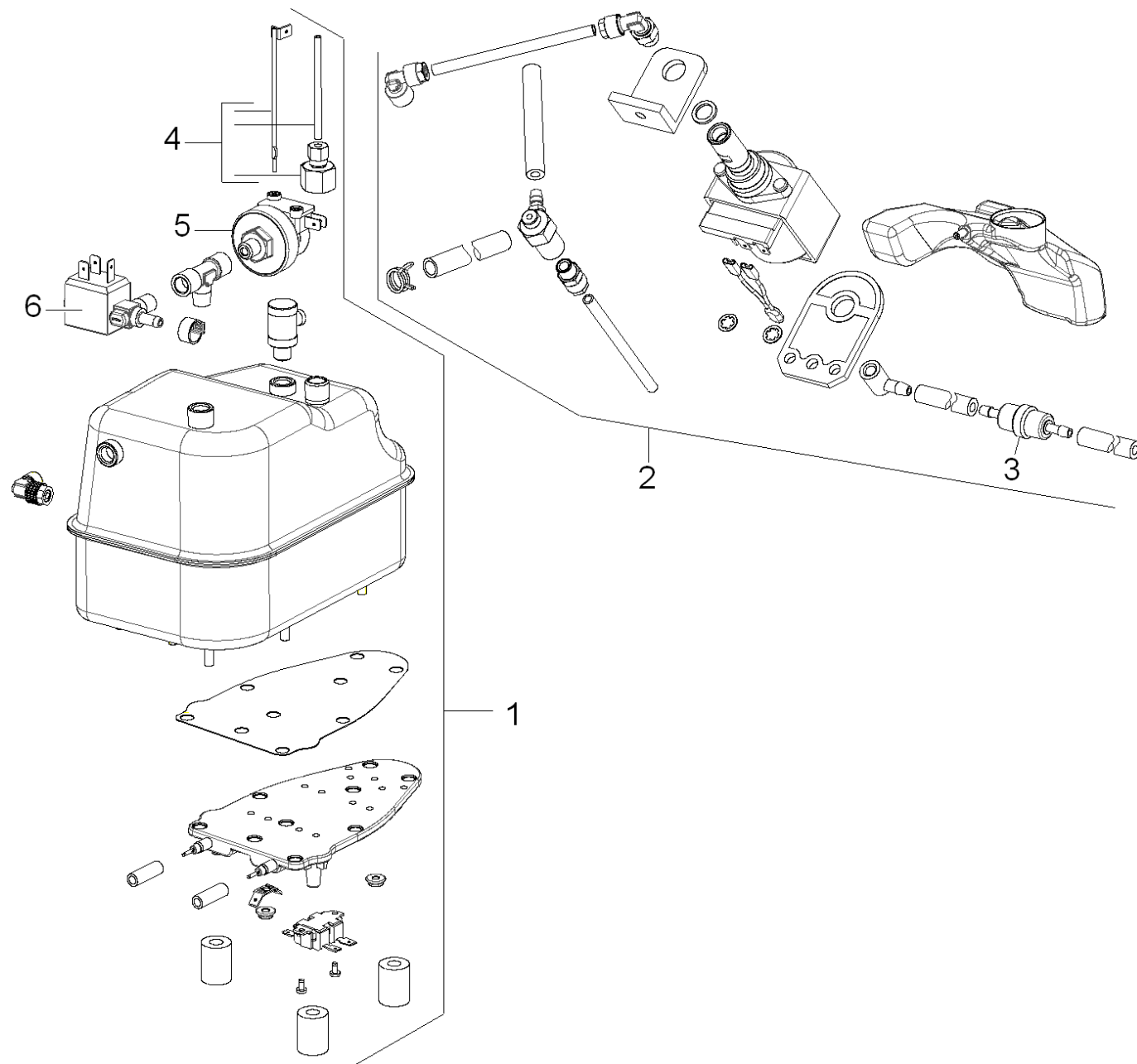
POS	Article no.	Description	Quantity	Unit	Remark
0	6.402-019.0	Housing bottom part only for replacement	1.000	ST	
1	6.402-062.0	Cable with plug *GB	1.000	ST	*GB
1		Cable with plug *CH	1.000	ST	*CH
1	6.402-009.0	Cable with plug	1.000	ST	*EU
2	6.402-021.0	Electronics complete only for replacemen	1.000	ST	
3	6.402-011.0	Turbine replacement Ametek SV 1802/1902	1.000	ST	
4	6.402-020.0	Cable set only for replacement SV 1902	1.000	ST	
5	6.402-016.0	Cable set only for replacement SV 1802/1	1.000	ST	
6	6.402-028.0	Housing bottom part m.Lenkrollen	1.000	ST	
7	2.860-229.0	Filter /Hepa SV	1.000	ST	
8	6.402-078.0	Filter frame complete replacement SV	1.000	ST	
9	6.402-090.0	Seal bracket replacement SV	1.000	ST	



## 13 Filter

---

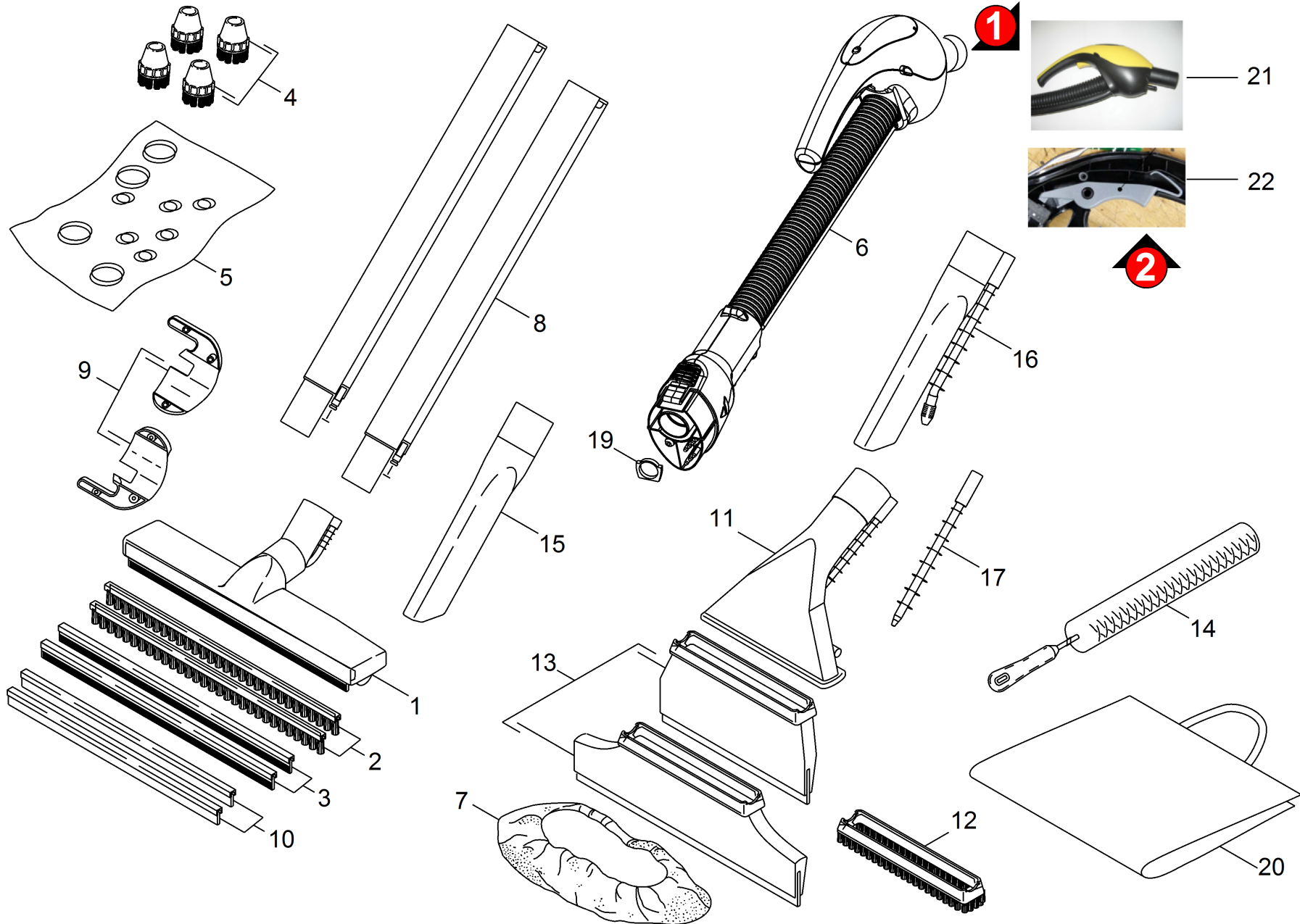
<b>POS</b>	<b>Article no.</b>	<b>Description</b>	<b>Quantity</b>	<b>Unit</b>
0	6.402-022.0	Filter complete replacement SV	1.000	ST
1	6.402-024.0	Filter foam replacement SV	1.000	ST
2	6.402-029.0	Filter cartridge replacement SV	1.000	ST
3	6.402-061.0	Holder handhold replacement SV	1.000	ST
4	6.402-091.0	Elbow replacement SV	1.000	ST



## 20 Boiler

---

<b>POS</b>	<b>Article no.</b>	<b>Description</b>	<b>Quantity</b>	<b>Unit</b>
1	6.402-017.0	Boiler complete only for replacement SV	1.000	ST
2	6.402-033.0	Pump complete SV 1902	1.000	ST
3	6.414-439.0	Filter fine dust	1.000	ST
4	6.402-047.0	Probe boiler SV 1902	1.000	ST
5	6.402-049.0	Pressure switch SV 1802/1902	1.000	ST
6	6.402-050.0	Solenoid valve SV 1802/1902	1.000	ST





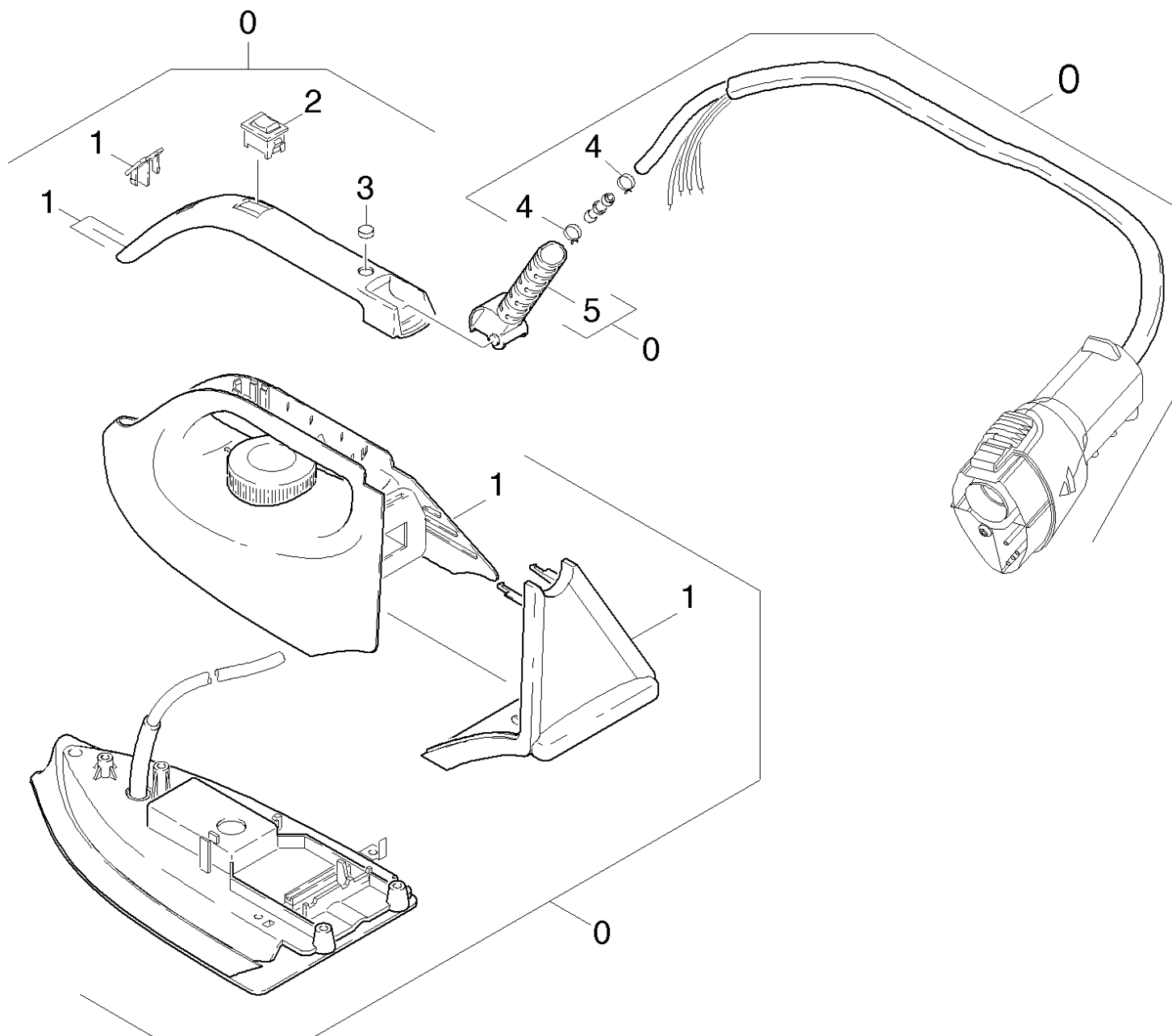
## 30 Accessories

POS	Article no.	Description	Quantity	Unit	Foot note text
1	6.402-034.0	Floor tool only for replacement SV1802/1	1.000	ST	
2	6.402-037.0	Strip set brush lamellas SV1802/1902	1.000	ST	
3	6.402-038.0	Strip set rubber SV1802/1902	1.000	ST	
4	2.860-231.0	Set brushes SV	1.000	ST	
5	6.402-005.0	O-Ring seal set SV 1802/1902	1.000	ST	
6	6.402-185.0	Steam hose replacement new SV1802/1902	1.000	ST	
7	6.370-990.0	Cloth set	1.000	ST	
8	6.402-035.0	Suction tube SV1802/1902 n.f.Ersatz	2.000	ST	
9	6.402-036.0	Bracket for replacement SV1802/1902	1.000	ST	
10	6.402-039.0	Strip set hard rubber SV1802/1902	1.000	ST	
11	6.402-040.0	Housing hand nozzle upholstery nozzle	1.000	ST	
12	6.402-041.0	Brush-corona SV 1802/1902	1.000	ST	
13	6.402-042.0	Set rubber lip hand nozzle SV 1802/1902	1.000	ST	
14	6.402-043.0	Brush pipe cleaning replacement SV	1.000	ST	
15	6.900-385.0	Crevice nozzle DN35	1.000	ST	
16	6.402-044.0	Point jet nozzle SV 1802/1902	1.000	ST	
17	6.402-045.0	Extension point jet nozzle SV 1802/1902	1.000	ST	
18	6.905-998.0	Upholstery nozzle complete NW35	1.000	ST	
19	5.439-002.0	Form seal steam hose replacement SV	1.000	ST	
20	6.402-048.0	Pocket accessories SV	1.000	ST	
21	6.402-174.0	Lever steam hose replacement SV 1802/190	1.000	ST	VERSION 1
22	6.402-178.0	Lever steam hose replacement SV 7	1.000	ST	VERSION 2

## 40 Smoothing iron

---

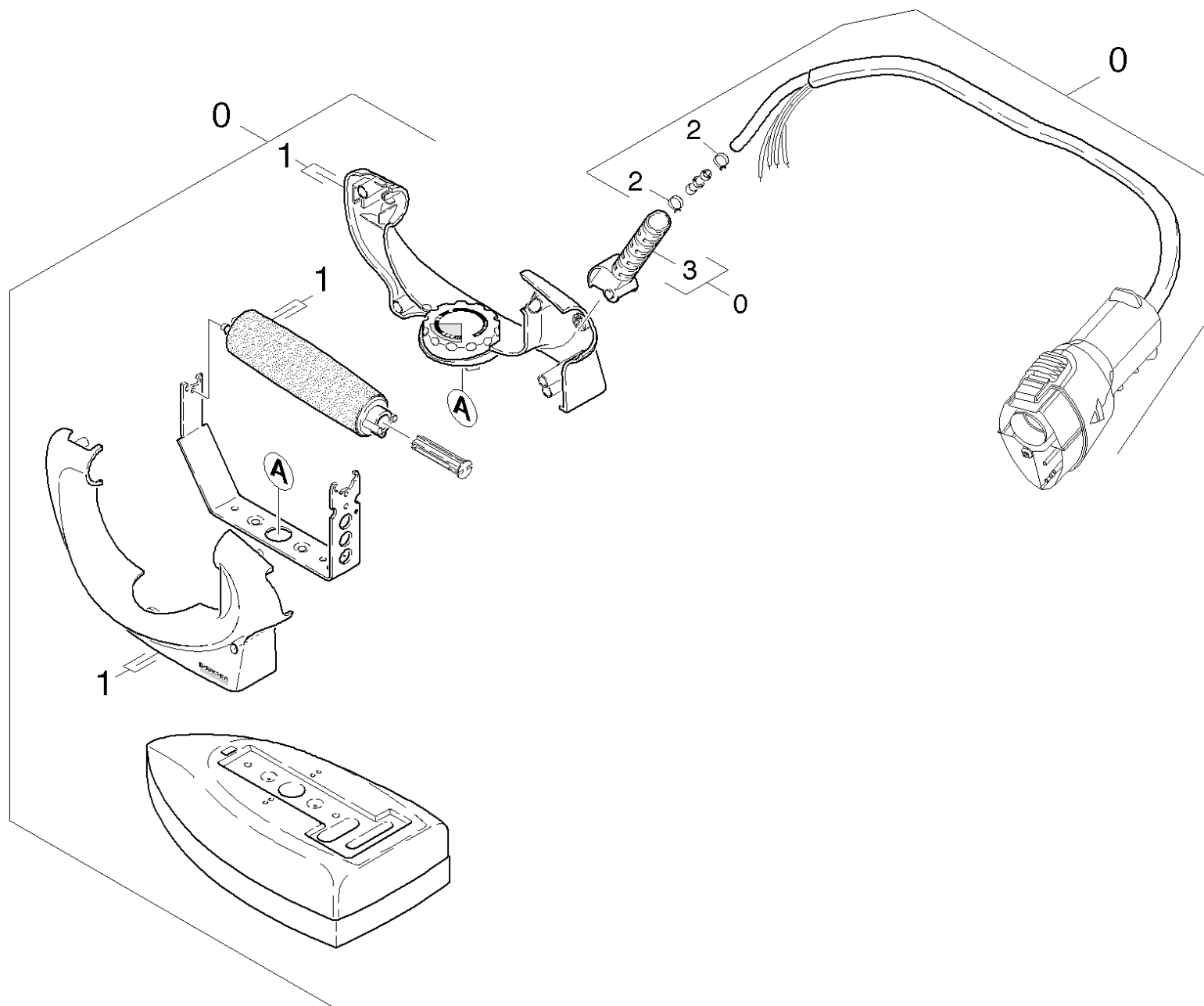
POS	Article no.	Description	Quantity	Unit	Foot note text
41		Smoothing iron	1.000	ST	VERSION 1
42		Smoothing iron	1.000	ST	VERSION 2
43	4.862-005.0	Smoothing iron I 6006 - SV 7	1.000	ST	



## 41 Smoothing iron

---

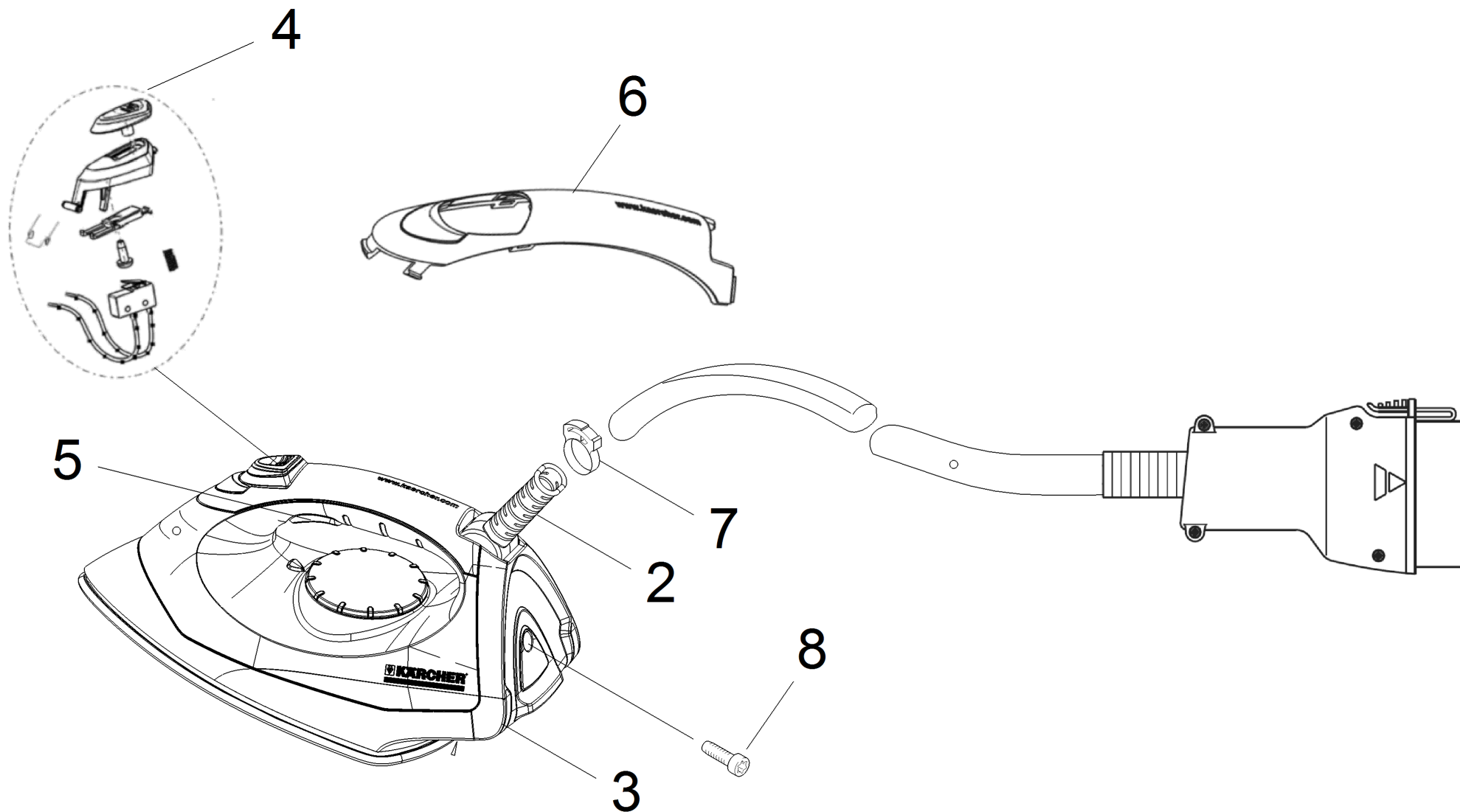
<b>POS</b>	<b>Article no.</b>	<b>Description</b>	<b>Quantity</b>	<b>Unit</b>
0	7.777-999.0	Stockpiling discontinued	1.000	ST
1	4.060-546.0	Housing complete	1.000	ST
2	7.777-999.0	Stockpiling discontinued	1.000	ST
3	5.032-476.0	Cap	1.000	ST
4	6.992-085.0	Clamp	2.000	ST
5	5.394-678.0	Bend protection	1.000	ST



## 42 Smoothing iron

---

<b>POS</b>	<b>Article no.</b>	<b>Description</b>	<b>Quantity</b>	<b>Unit</b>
0	7.777-999.0	Stockpiling discontinued	1.000	ST
1	7.777-999.0	Stockpiling discontinued	1.000	ST
2	6.992-085.0	Clamp	2.000	ST
3	5.394-681.0	Bend protection	1.000	ST



43 Smoothing iron I 6006 - SV 7 (4.862-005.0)

POS	Article no.	Description	Quantity	Unit
2	5.862-023.0	Bend protection I 6006 bk	1.000	ST
3	6.862-000.0	Rear panel smoothing iron replacement I	1.000	ST
4	4.862-006.0	Set pushbutton smoothing iron I 6006	1.000	ST
5	5.862-031.0	Pushbutton bottom I 6006 bk	1.000	ST
6	4.512-113.0	Covering cap handhold replacement yw	1.000	ST
7	6.389-993.0	Hose clip 7,5 - 9,0	1.000	ST
8	7.303-092.0	Screw 3x12 -10.9-R2R (K-In6Rd)	1.000	ST