

**Rezerves daļu saraksts
(5.970-925.0) Spare parts list BR 30/4 C**

DE HINWEISE

Weitere Sprachen:

Diese Ersatzteilliste ist in weiteren Sprachen erhältlich. Sie erhalten diese unter www.kaercher.com im Bereich Service. Die Schreibweise der Teilenummer, z.B. 75456380, entspricht der Teilenummer 7.545-638.0.

Mengenangaben:

Die Mengenangaben in der Ersatzteilliste entsprechen den in der Baugruppe verbauten Stückzahlen der Bauteile.

Meterware:

Ersatzteile welche als Meterware geliefert werden sind auf Einbaulänge selbst zu kürzen. Die Stückzahlen sind als Mindestbestellmenge =1m angegeben und müssen je nach Bedarf auf weitere volle Meterzahlen erhöht werden.

Versionen/ Werknummern:

Sind Versionen oder Werknummern in der Ersatzteilliste angegeben, ist anhand dieser vor Bestellung zu prüfen, welches Bauteil für ihr Gerät verwendet werden muss.

Lackierte Teile:

Bei Bestellungen von lackierten Teilen welche in der Ersatzteilliste nicht in verschiedenen Farben ausgewiesen sind, ist zusätzlich die Farbnummer oder Farbe mit anzugeben.

Technische Änderungen:

Technische Änderungen sowie das Recht der ausschließlichen Auswertung unseres geistigen Eigentums behalten wir uns vor.

EN INSTRUCTIONS

Other languages:

This list of spare parts is also available in other languages. You can get this list from www.kaercher.com in the Service division. The designation of the part number e.g. 75456380 is equal to 7.545-638.0.

Quantity details:

The quantity details in the spare parts list correspond to the number of pieces of the component installed in the assembly group.

Piece goods:

Spare parts that are sold as piece goods are to be cut to the desired length. The quantities have been indicated as minimum order quantity =1m and must be rounded off to the full meter figure depending on your requirements.

Version/ Plant numbers:

If version or plant numbers are mentioned in the spare parts list, then use the same to check before ordering which spare part needs to be used for your appliance.

Painted parts:

While ordering painted parts that are not mentioned in the spare parts list in their colour variations, please mention the colour number or the colour you require.

Technical changes:

We reserve the right to make technical changes as well as the right to exclusive use of our intellectual property.

FR REMARQUES

Autres langues:

Cette liste de pièces de rechange est disponible en autres langues. Cela est disponible sous www.kaercher.com dans le menu Service. La désignation du numéro de pièce, par ex. 75456380, correspond au numéro de pièce 7.545-638.0.

Indications de quantité:

Les indications de quantité dans la liste de pièces de rechange correspondre aux nombres de pièces des composant utilisées dans la construction.

Matériel au mètre:

Les pièces de rechange qui sont livrées au mètre doivent être raccourcies à longueur souhaitée par l'acheteur même. Les nombres des pièces sont indiquées en quantité de commande minimale = 1m et doivent être augmentés selon le besoin à une chiffre de mètre complète.

Versions/ Numéros d'usine:

Lorsqu'il sont indiquées des versions ou des numéros d'usine dans la liste de pièces de rechange, vous devez vérifier que composant doit être utilisé pour votre appareil.

Pièces laquées:

Pour commander des pièces laquées, où les différentes couleurs ne sont pas indiquées dans la liste des pièces de rechange, vous devez indiquer en plus le numéro de la couleur ou seulement la couleur.

Modifications techniques:

Nous nous réservons la possibilité des modifications techniques ainsi le droit d'exploitation exclusive de notre propriété intellectuelle.

IT AVVERTENZE

Altre lingue:

Il presente elenco di parti di ricambio è disponibile sul nostro sito Web anche in altre lingue: sotto www.kaercher.com alla voce "Service".

L'indicazione del codice pezzo, ad es. 75456380, corrisponde al codice pezzo 7.545-638.0

Indicazioni di quantità:

Le indicazioni di quantità riportate dall'elenco "parti di ricambio" corrispondono al numero delle singole componenti contenute nella rispettiva unità.

Merce a metro:

Le parti di ricambio fornite come "merce a metro" devono venire in seguito accorciate alla lunghezza necessaria per il montaggio. La quantità unitaria è indicata come "quantità minima di ordinazione = 1m" e deve all'occorrenza venire moltiplicata per il numero intero di metri necessari.

Versioni / Numeri di fabbricazione:

Quando l'elenco "parti di ricambio" riporta diverse versioni o numeri di fabbricazione, confrontare la versione o il numero di fabbricazione del ricambio desiderato con quelle/i presenti nell'elenco e indicarla/o al momento dell'ordinazione.

Parti di ricambio verniciate:

Nel caso di ricambi verniciati, se l'elenco parti di ricambio non ne riporta espressamente i diversi colori, al momento dell'ordinazione è necessario indicare anche il colore o il numero del colore desiderato.

Modifiche tecniche:

Ci riserviamo il diritto di apportare modifiche tecniche così come il diritto di utilizzo esclusivo della nostra proprietà intellettuale.

ES INDICACIONES

Otros idiomas:

La lista de piezas de repuesto se puede adquirir en otros idiomas. La puede adquirir en www.kaercher.com en el área de servicios.

La notación de los números de las piezas, p.ej. 75456380 corresponde al número de pieza 7.545-638.0.

Cantidades:

Las indicaciones de cantidades de la lista de piezas de repuesto corresponden al número de piezas montadas en el componente.

Mercancía por metros:

Las piezas de repuesto que se suministran por metros se pueden cortar al largo deseado. La unidad mínima de pedido es de = 1 m y el número de metros completos se puede aumentar según necesidad.

Versiones/números de fábrica:

Si se indica la versión o número de fábrica en la lista de piezas de repuesto, se debe comprobar en ella la pieza a usar para su aparato antes de realizar el pedido.

Piezas lacadas:

Al realizar pedidos de piezas lacadas que no estén indicadas en los diferentes colores en la lista de piezas de repuesto, se debe indicar también la referencia del color o el color.

Modificaciones técnicas:

Reservados los derechos de realizar modificaciones técnicas y aprovechar nuestra propiedad intelectual.

PL WSKAZÓWKI

Pozostałe języki:

Ta lista części zamiennych jest dostępna w także w innych językach. Mogą ją Państwo pobrać ze strony www.kaercher.com w dziale Serwis.

Sposób zapisywania numeru części, np. 75456380, odpowiada numerowi części 7.545-638.0.

Dane ilości:

Dane ilości podane w liście części zamiennych odpowiadają liczbie sztuk podzespołów tworzących dany moduł.

Towar sprzedawany na metry:

Części zamienne dostarczane jako towar sprzedawany na metry po zamontowaniu należy samodzielnie skrócić do potrzebnej długości. Liczba sztuk podana jest jako minimalna ilość zamówienia = 1m i w zależności od potrzeb zwiększa się ją o kolejne pełne metry.

Wersje/ Numer zakładu:

Jeżeli w liście części zamiennych podane są wersje lub numery zakładu, przed zamówieniem na ich podstawie należy sprawdzić, który podzespół stosuje się w Państwa urządzeniu.

Części lakierowane:

W przypadku zamówień części lakierowanych, które w liście części zamiennych nie podano w wielu kolorach, należy dodatkowo zaznaczyć nr koloru lub kolor.

Zmiany techniczne:

Zastrzegamy sobie prawo do zmian technicznych oraz wyłącznego wykorzystywania naszej własności intelektualnej.

RU УКАЗАНИЯ:

Другие языки:

Данный список запасных частей также доступен на других языках. Вы найдете его на сайте www.kaercher.com в разделе Service. Маркировка номера детали, например, 75456380, соответствует номеру детали 7.545-638.0.

Указание количества:

Количественные данные в списке запасных частей соответствуют числу компонентов, входящих в состав узлов.

Товар, продаваемый на метры:

Запасные части, продающиеся на метры, необходимо обрезать до нужной длины. Число изделий указано в виде минимального объема заказа = 1м и их количество можно округлить до требуемого по мере необходимости.

Варианты исполнения/заводские номера:

Если варианты исполнения или заводские номера указаны в списке запасных частей, то перед заказом необходимо проверить, какая деталь подходит для вашего устройства.

Лакированные детали:

При заказе лакированных деталей, варианты расцветки которых не указаны в списке запасных частей, необходимо дополнительно указать номер цвета или необходимый для вас цвет.

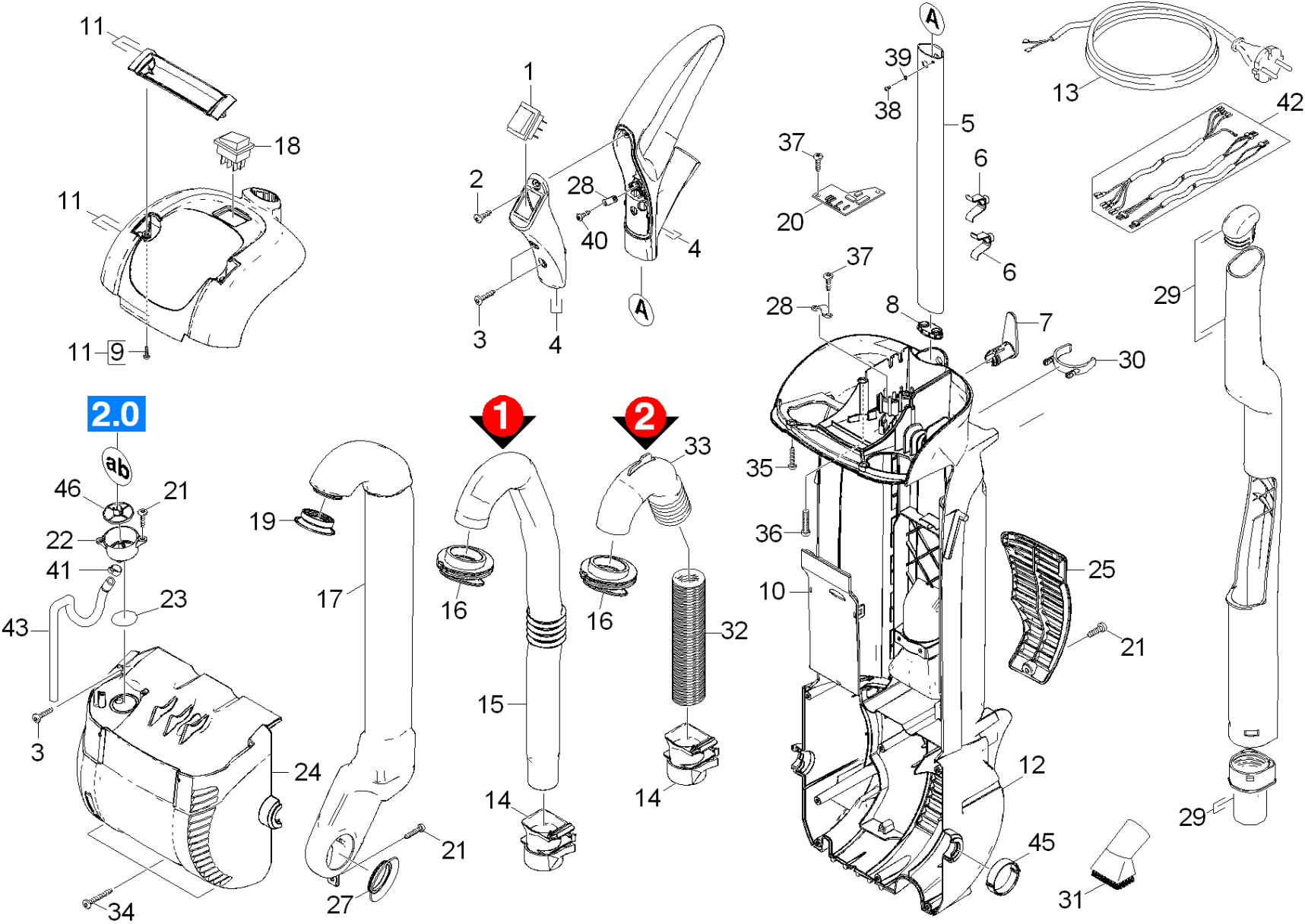
Технические изменения:

Мы оставляем за собой право на технические изменения, а также право на исключительное использование нашей интеллектуальной собственности.

| | |
|---|----|
| Spare parts list BR 30/4 C (5.970-925.0) | 6 |
| 10 Housing..... | 7 |
| 20 Tank..... | 11 |
| 30 Turbine..... | 13 |
| 40 Brush-head..... | 15 |
| 50 Add-on kit carpet cleaning..... | 19 |
| 200 Special tools..... | 21 |
| 200 Tool measuring instrument current AC/DC..... | 22 |
| 210 Tool tool - extractor system Molex..... | 24 |
| 220 Tool tester electric Metratester5..... | 26 |
| 230 Tool tester electric Metrel MI3309..... | 28 |

Spare parts list BR 30/4 C (5.970-925.0)

| Poz. | Nosaukums | Daudzums | Pārdoš. vienība |
|-------------|----------------------------|-----------------|------------------------|
| 10 | Housing | 1.000 | ST |
| 20 | Tank | 1.000 | ST |
| 30 | Turbine | 1.000 | ST |
| 40 | Brush-head | 1.000 | ST |
| 50 | Add-on kit carpet cleaning | 1.000 | ST |
| 200 | Special tools | 1.000 | ST |



10 Housing

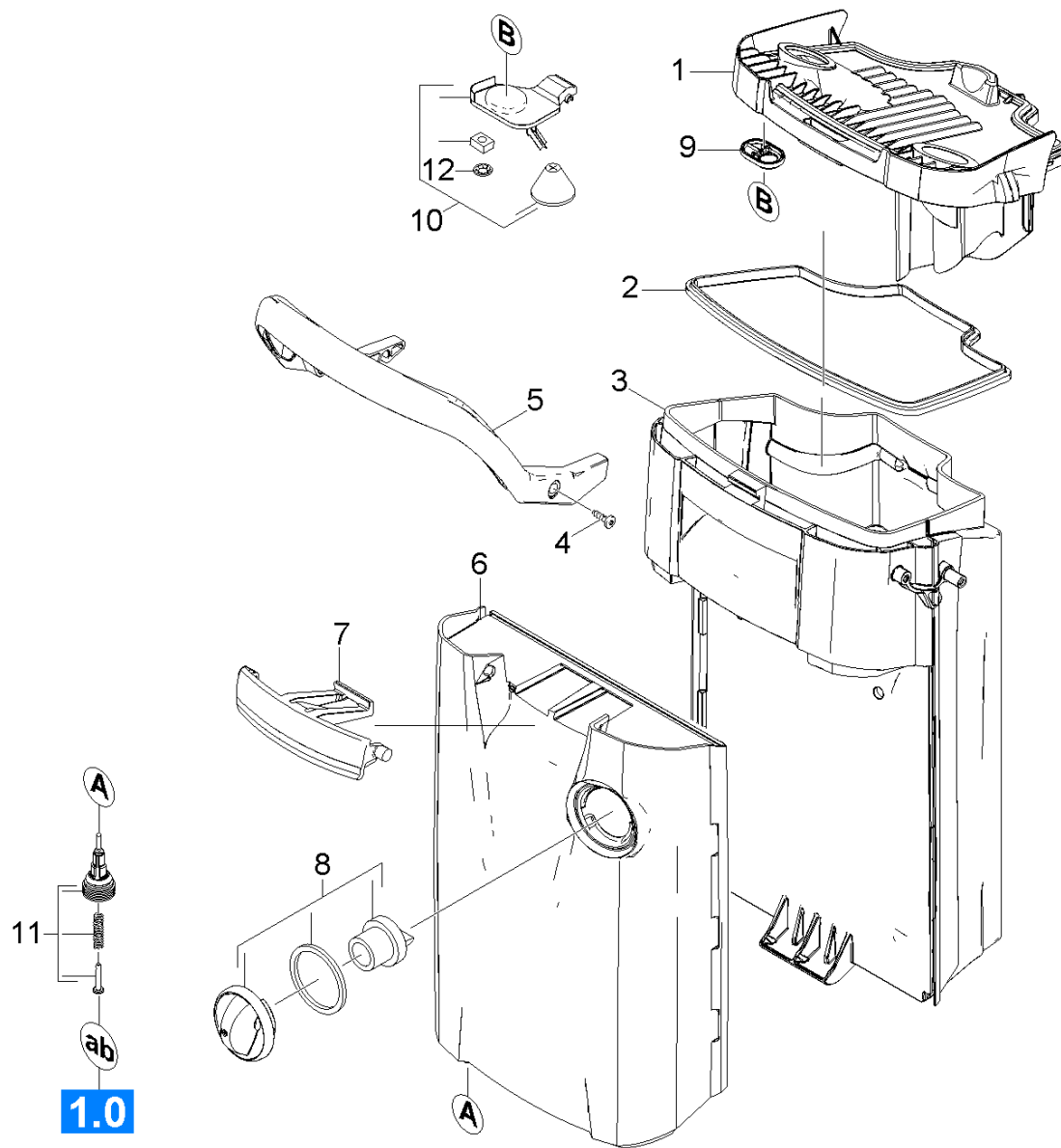
| Rez.daļas/nodil.pakļ.daļas | Poz. | Materiāla Nr. | Nosaukums | Daudzums | Pārdoš. vienība | Daž. informācija |
|---|------|---------------|----------------------------------|----------|-----------------|------------------|
| X-X | 1 | 6.632-493.0 | Switch two-pole water | 1.000 | ST | |
| X-X | 2 | 7.303-212.0 | Skrūve 5x20 -A2-70 (In6Rd) | 1.000 | ST | |
| X-X | 3 | 7.303-118.0 | Skrūve 5x40 -A2-70 (IN6Rd) | 5.000 | ST | |
| X-X | 4 | 4.033-170.0 | handhold complete | 1.000 | ST | |
| | 5 | 5.033-228.0 | handle | 1.000 | ST | |
| | 6 | 5.033-195.0 | Spring handle | 2.000 | ST | |
| X-X | 7 | 5.044-661.0 | Catch for cable | 1.000 | ST | |
| | 8 | 5.033-196.0 | Plug handle | 1.000 | ST | |
| X-X | 9 | 7.303-107.0 | Skrūve 5x16 -10.9-P2R (K-In6Rd) | 2.000 | ST | |
| X-X | 10 | 5.033-175.0 | Covering cap cable | 1.000 | ST | |
| | 11 | 4.033-162.0 | Covering cap housing replacement | 1.000 | ST | |
| | 12 | 5.033-172.0 | Housing | 1.000 | ST | |
| X-X | 13 | 6.649-514.0 | Power cable 10m *EU | 1.000 | ST | *EU |
| Pozīcijas teksts: /1.783-200.0 / -205.0 / -211.0 / -213.0 | | | | | | |
| | 13 | 6.649-600.0 | Power cable 10m *USA | 1.000 | ST | *US |
| Pozīcijas teksts: /1.783-202.0 | | | | | | |
| | 13 | 6.649-770.0 | Power cable 12m *GB | 1.000 | ST | *GB |
| Pozīcijas teksts: /1.783-207.0 | | | | | | |
| | 13 | 6.649-658.0 | Power cable 10m *JP 50Hz | 1.000 | ST | *JP |
| Pozīcijas teksts: /1.783-203.0 / -204.0 | | | | | | |
| | 14 | 5.407-115.0 | Sleeve suction tube | 1.000 | ST | |
| | 15 | 5.033-179.0 | Suction pipe tank | 1.000 | ST | |
| Pozīcijas teksts: /1.783-200.0 / -202.0 / -203.0 / -204.0/ -211.0 | | | | | | |
| | 16 | 5.363-688.0 | Sealing lip SWT-SL-SB | 1.000 | ST | |
| | 17 | 5.033-178.0 | Suction pipe turbine | 1.000 | ST | |

10 Housing

| Rez.daļas/nodil.pakļ.daļas | Poz. | Materiāla Nr. | Nosaukums | Daudzums | Pārdoš. vienība | Daž. informācija |
|--------------------------------|------|---------------|--------------------------------------|----------|-----------------|------------------|
| X-X | 18 | 6.630-385.0 | Switch | 1.000 | ST | |
| | 19 | 5.363-687.0 | Sealing lip SWT-SL-T | 1.000 | ST | |
| | 20 | 6.682-974.0 | Distribution circuit board BR 30/4 C | 1.000 | ST | |
| X-X | 21 | 7.303-104.0 | Skrūve 5x16 -A2-70 (IN6RD) | 5.000 | ST | |
| X | 22 | 5.033-190.0 | Funnel valve | 1.000 | ST | |
| | 23 | 6.362-604.0 | O-Ring seal 27,0 X 3,0 | 1.000 | ST | |
| | 24 | 5.033-173.0 | Motor housing | 1.000 | ST | |
| | 25 | 5.033-174.0 | Flap ventilation | 1.000 | ST | |
| | 27 | 5.363-689.0 | Sealing lip vac motor SL | 1.000 | ST | |
| | 28 | 6.903-241.0 | Clamp clip | 3.000 | ST | |
| | 29 | 4.033-227.0 | Hand tube replacement | 1.000 | ST | |
| Pozīcijas teksts: /1.783-205.0 | | | | | | |
| | 30 | 5.041-111.0 | Clip accessories | 2.000 | ST | |
| Pozīcijas teksts: /1.783-205.0 | | | | | | |
| | 31 | 6.000-011.0 | Suction brush DN35 | 1.000 | ST | |
| Pozīcijas teksts: /1.783-205.0 | | | | | | |
| | 32 | 6.391-725.0 | Suction hose DN32 - 370mm | 1.000 | ST | |
| Pozīcijas teksts: /1.783-205.0 | | | | | | |
| | 33 | 5.033-237.0 | Suction pipe sleeve tank | 1.000 | ST | |
| Pozīcijas teksts: /1.783-205.0 | | | | | | |
| X | 34 | 7.303-268.0 | Screw 5x30 -A2-70 (In6Rd) | 3.000 | ST | |
| X-X | 35 | 7.303-086.0 | Skrūve 5x30 -10.9-R2R (K-In6Rd) | 2.000 | ST | |
| | 36 | 6.303-294.0 | Screw 5x70 (Kreuzschlitz PZ) | 2.000 | ST | |
| | 37 | 7.303-095.0 | Screw 4x 12-ST-10.9-R2R (IN6RD) | 4.000 | ST | |
| | 38 | 7.303-030.0 | Screw M4x8 -St-P2R (In6Rd) | 1.000 | ST | |

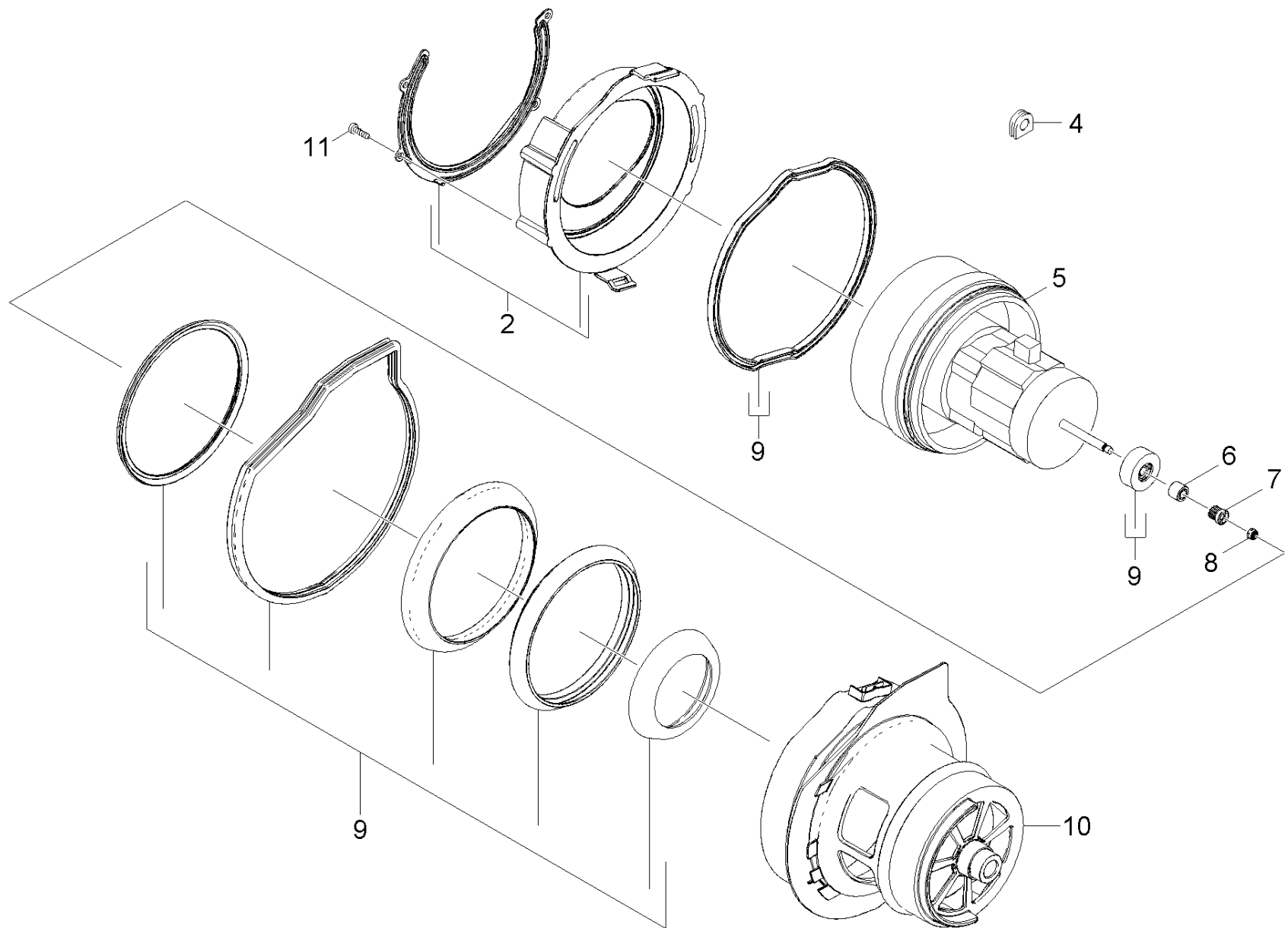
10 Housing

| Rez.daļas/nodil.pakļ.daļas | Poz. | Materiāla Nr. | Nosaukums | Daudzums | Pārdoš. vienība | Daž. informācija |
|----------------------------|------|---------------|---|----------|-----------------|------------------|
| | 39 | 7.312-230.0 | Serrated lock washer A4,3-FSt-A3E DIN67 | 1.000 | ST | |
| X-X | 40 | 7.303-102.0 | Screw 3,5x12 -A2-70-bk (In6Rd) | 2.000 | ST | |
| X | 41 | 6.388-701.0 | Hose clip with insert 13,3 | 1.000 | ST | |
| | 42 | 4.822-540.0 | Cable harness BR 30/4 C | 1.000 | ST | |
| X | 43 | 5.033-952.0 | Form hose fresh water BR 30/4 | 1.000 | ST | |
| | 45 | 4.250-079.0 | BEARING SHELL kpl. | 2.000 | ST | |
| X-X | 46 | 5.033-905.0 | Strainer fresh water | 1.000 | ST | |



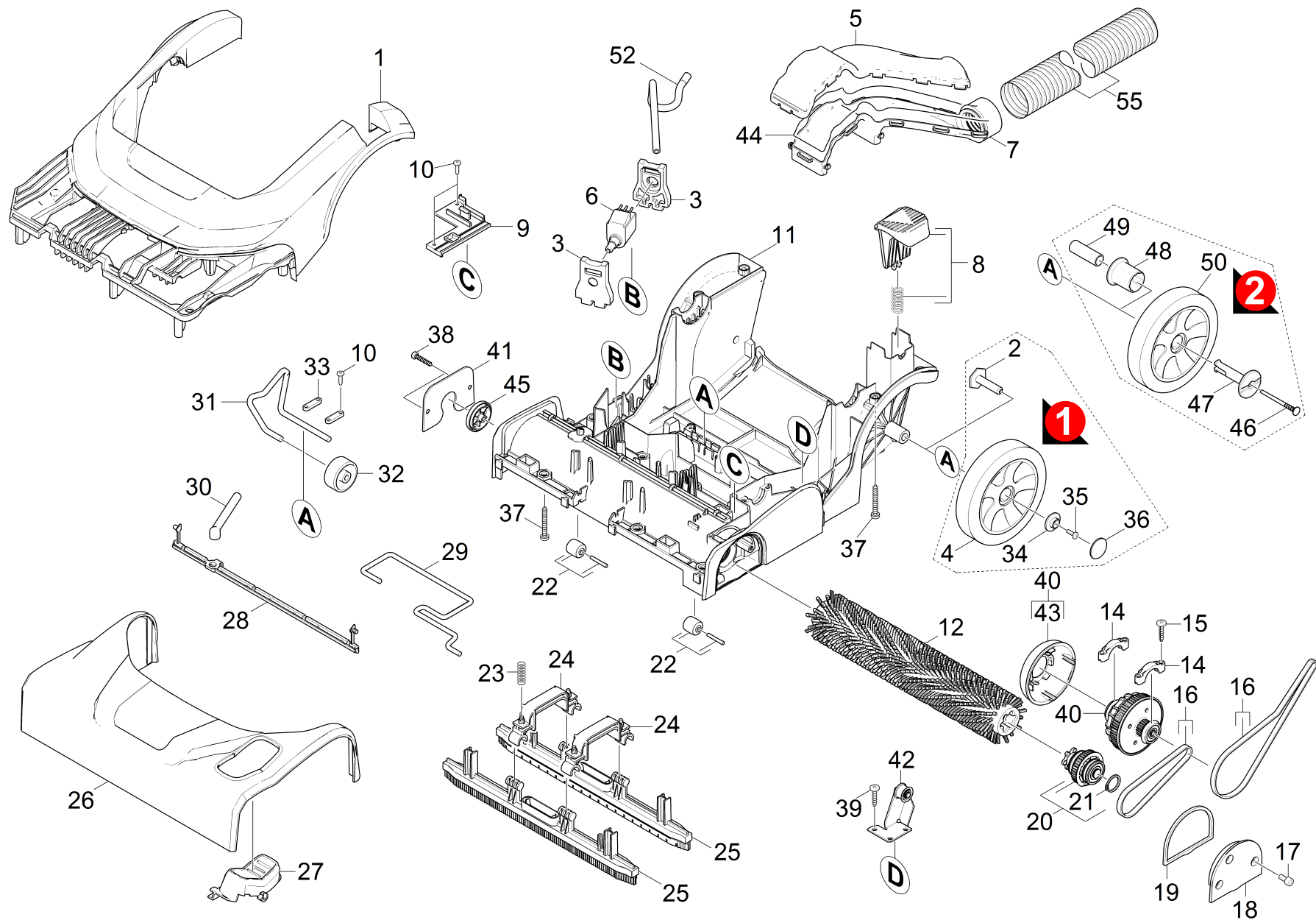
20 Tank

| Rez.daļas/nodil.pakļ.daļas | Poz. | Materiāla Nr. | Nosaukums | Daudzums | Pārdoš. vienība |
|----------------------------|------|---------------|-----------------------------------|----------|-----------------|
| | 1 | 5.033-181.0 | Cover waste water tank | 1.000 | ST |
| X | 2 | 5.363-711.0 | Seal cover tank SW | 1.000 | ST |
| | 3 | 5.033-180.0 | Waste water tank | 1.000 | ST |
| X-X | 3 | 5.033-747.0 | Waste water tank from 5.033-180.0 | 1.000 | ST |
| X-X | 4 | 7.303-107.0 | Skrūve 5x16 -10.9-P2R (K-In6Rd) | 2.000 | ST |
| X | 5 | 5.033-183.0 | Carrier handle tank | 1.000 | ST |
| | 6 | 5.033-185.0 | Fresh water tank | 1.000 | ST |
| X-X | 6 | 5.033-754.0 | Fresh water tank from 5.033-185.0 | 1.000 | ST |
| X | 7 | 5.033-748.0 | Notch fresh water tank | 1.000 | ST |
| | 7 | 5.033-186.0 | Notch fresh water tank | 1.000 | ST |
| | 8 | 4.033-187.0 | Fuel tank filler cap replacement | 1.000 | ST |
| X-X | 8 | 4.033-749.0 | Fuel tank filler cap replacement | 1.000 | ST |
| X | 9 | 5.363-702.0 | Seal float | 1.000 | ST |
| X | 10 | 4.033-750.0 | Float replacement | 1.000 | ST |
| X-X | 11 | 4.190-260.0 | Valve | 1.000 | ST |
| X | 12 | 6.343-149.0 | Quick-fastener | 1.000 | ST |



30 Turbine

| Rez.daļas/nodil.pakļ.daļas | Poz. | Materiāla Nr. | Nosaukums | Daudzums | Pārdoš. vienība |
|---|------|---------------|--------------------------------|----------|-----------------|
| | 2 | 4.033-176.0 | Cover enclosure replacement | 1.000 | ST |
| | 4 | 6.648-064.0 | Cable bushing | 1.000 | ST |
| | 5 | 4.490-244.0 | Turbine set JP | 1.000 | ST |
| Pozīcijas teksts: /1.783-203.0 / -204.0 | | | | | |
| | 5 | 4.490-231.0 | Turbine set EU | 1.000 | ST |
| Pozīcijas teksts: /1.783-200.0 / -205.0 / -207.0 / -211.0/ -213.0 | | | | | |
| | 5 | 4.490-243.0 | Turbine set USA | 1.000 | ST |
| Pozīcijas teksts: /1.783-202.0 | | | | | |
| X-X | 6 | 5.033-194.0 | Flanged pulley pinion | 1.000 | ST |
| X-X | 7 | 5.033-263.0 | Motor pinion | 1.000 | ST |
| X-X | 8 | 7.311-065.0 | Hexagon nut M 5-A2-70 ISO 4032 | 1.000 | ST |
| | 9 | 4.363-690.0 | Set of gaskets | 1.000 | ST |
| | 10 | 5.033-176.0 | Enclosure motor | 1.000 | ST |
| X-X | 11 | 7.303-104.0 | Skrūve 5x16 -A2-70 (IN6RD) | 4.000 | ST |



40 Brush-head

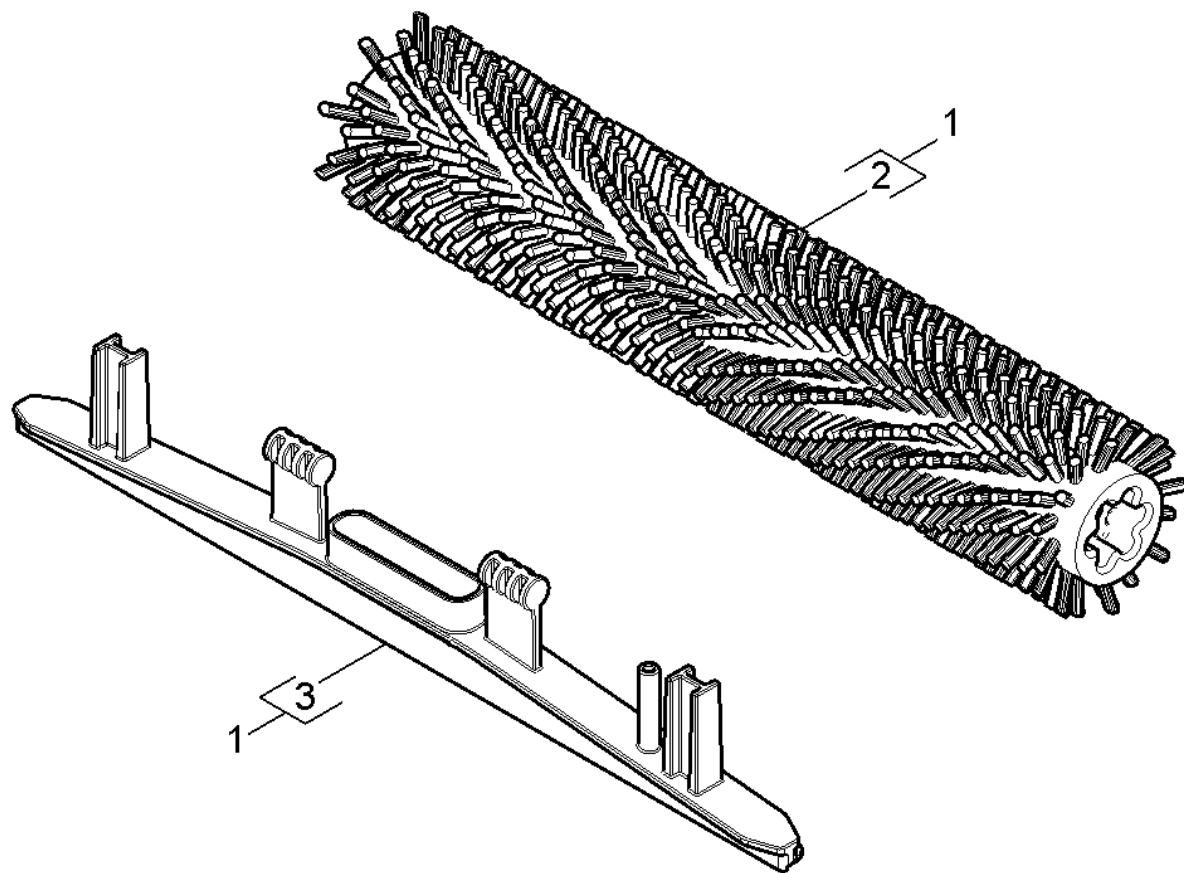
| Rez.daļas/nodil.pakļ.daļas | Poz. | Materiāla Nr. | Nosaukums | Daudzums | Pārdoš. vienība | Daž. informācija |
|---|------|---------------|--|----------|-----------------|------------------|
| | 1 | 5.033-201.0 | Covering cap brush-head | 1.000 | ST | |
| | 1 | 5.033-755.0 | Covering cap brush-head | 1.000 | ST | |
| | 2 | 5.100-590.0 | Wheel stud | 2.000 | ST | |
| | 3 | 5.363-694.0 | rubber pump | 2.000 | ST | |
| | 4 | 5.515-322.0 | Wheel D121 | 2.000 | ST | |
| | 5 | 5.033-258.0 | Suction channel top part | 1.000 | ST | |
| X-X | 6 | 6.473-522.0 | Sūknis | 1.000 | ST | |
| Pozīcijas teksts: /1.783-200.0 / -205.0 / -207.0 / -211.0/ -213.0 | | | | | | |
| | 6 | 6.473-535.0 | pump | 1.000 | ST | |
| Pozīcijas teksts: /1.783-202.0 / -204.0 | | | | | | |
| | 6 | 6.473-536.0 | Pump *JP 50 Hz | 1.000 | ST | |
| Pozīcijas teksts: /1.783-203.0 | | | | | | |
| | 7 | 5.033-207.0 | Suction channel brush-head | 1.000 | ST | |
| X-X | 8 | 4.481-000.0 | Foot pedal complete only for replacement | 1.000 | ST | |
| | 8 | 4.481-291.0 | Pedal complete only for replacement | 1.000 | ST | |
| | 9 | 5.033-238.0 | Covering cap plate switch | 1.000 | ST | |
| | 10 | 7.303-026.0 | Screw 4x16 -A2-70 (In6Rd) | 6.000 | ST | |
| | 11 | 5.033-200.0 | Housing brush-head | 1.000 | ST | |
| | 12 | 2.642-661.0 | Roller brush orange accessories 300mm | 1.000 | ST | |
| X-X | 12 | 4.762-452.0 | Roller brush complete white | 1.000 | ST | |
| X-X | 12 | 4.762-453.0 | Roller brush complete | 1.000 | ST | |
| X-X | 12 | 4.762-005.0 | Roller brush red complete BR 30/4 C | 1.000 | ST | |
| | 14 | 5.033-222.0 | Coupler clamp block | 2.000 | ST | |
| | 15 | 7.303-096.0 | Skrūve 4x22 -ST-10.9-R2R (IN6RD) | 4.000 | ST | |
| X-X | 16 | 4.348-450.0 | Toothed belt set | 1.000 | ST | |

40 Brush-head

| Rez.daļas/nodil.pakļ.daļas | Poz. | Materiāla Nr. | Nosaukums | Daudzums | Pārdoš. vienība | Daž. informācija |
|----------------------------|------|---------------|---------------------------------------|----------|-----------------|------------------|
| X-X | 17 | 7.303-212.0 | Skrūve 5x20 -A2-70 (In6Rd) | 3.000 | ST | |
| | 18 | 5.033-223.0 | cover retainer transmission | 1.000 | ST | |
| | 19 | 5.363-713.0 | Seal Lagerdeckel | 1.000 | ST | |
| X-X | 20 | 3.763-098.0 | Assembly group brushes drive | 1.000 | ST | |
| X | 21 | 7.343-001.0 | Locking ring 10x1-Rf-St DIN 471 | 1.000 | ST | |
| | 22 | 4.880-058.0 | Roller set | 2.000 | ST | |
| X-X | 23 | 5.332-952.0 | Atspere | 4.000 | ST | |
| | 24 | 5.033-224.0 | Web suction bar | 2.000 | ST | |
| X-X | 25 | 4.777-324.0 | Suction bar complete replacement | 2.000 | ST | |
| X-X | 25 | 2.642-662.0 | Set suction lip standart | 1.000 | ST | |
| | 26 | 4.033-202.0 | Bumper replacement | 1.000 | ST | |
| | 27 | 5.033-225.0 | Pedal suction bar | 1.000 | ST | |
| X | 28 | 4.190-000.0 | Set water distributor sleeve | 1.000 | ST | |
| | 29 | 5.034-803.0 | Retaining bracket suction bar | 1.000 | ST | |
| X-X | 30 | 5.363-698.0 | Hose nozzle | 1.000 | ST | |
| | 31 | 5.034-826.0 | Retaining bracket height adjustment | 1.000 | ST | |
| X | 32 | 5.515-069.0 | Ritenis | 1.000 | ST | |
| | 33 | 6.647-513.0 | Strain relief | 2.000 | ZST | |
| | 34 | 5.100-591.0 | Washer wheel | 2.000 | ST | |
| X-X | 35 | 7.306-181.0 | screw | 2.000 | ST | |
| X-X | 36 | 6.343-224.0 | Ātrais savienotājs | 2.000 | ST | |
| X | 37 | 7.303-268.0 | Screw 5x30 -A2-70 (In6Rd) | 12.000 | ST | |
| | 38 | 7.303-269.0 | Countersunk screw 4x20 -A2-70 (In6Rd) | 2.000 | ST | |
| X-X | 39 | 7.303-104.0 | Skrūve 5x16 -A2-70 (IN6RD) | 2.000 | ST | |
| X-X | 40 | 4.470-043.0 | Coupler complete | 1.000 | ST | |

40 Brush-head

| Rez.daļas/nodil.pakļ.daļas | Poz. | Materiāla Nr. | Nosaukums | Daudzums | Pārdoš. vienība | Daž. informācija |
|----------------------------|------|---------------|-------------------------------------|----------|-----------------|------------------|
| | 41 | 5.009-415.0 | Bracket brush | 1.000 | ST | |
| | 42 | 4.470-040.0 | Pressure roller complete | 1.000 | ST | |
| | 43 | 5.033-269.0 | Cap coupler | 1.000 | ST | |
| | 44 | 6.273-037.0 | Plombas aukla no porainas gumijas 3 | 1.000 | M | |
| X-X | 45 | 5.033-230.0 | thread deflector | 1.000 | ST | |
| X-X | 46 | 5.033-279.0 | Pin snap-fit wheel | 2.000 | ST | |
| X-X | 47 | 5.033-208.0 | Snap-fit wheel | 2.000 | ST | |
| X-X | 48 | 5.033-264.0 | Plain bearing with collar | 2.000 | ST | |
| X | 49 | 5.112-863.0 | Bush | 2.000 | ST | |
| | 50 | 5.515-338.0 | Wheel D121 | 2.000 | ST | VERSION 2 |
| X | 50 | 5.515-366.0 | Ritenis D121 | 2.000 | ST | VERSION 2 |
| X | 52 | 5.033-952.0 | Form hose fresh water BR 30/4 | 1.000 | ST | |
| | 55 | 6.391-724.0 | Suction hose DN32 -130mm | 1.000 | ST | |

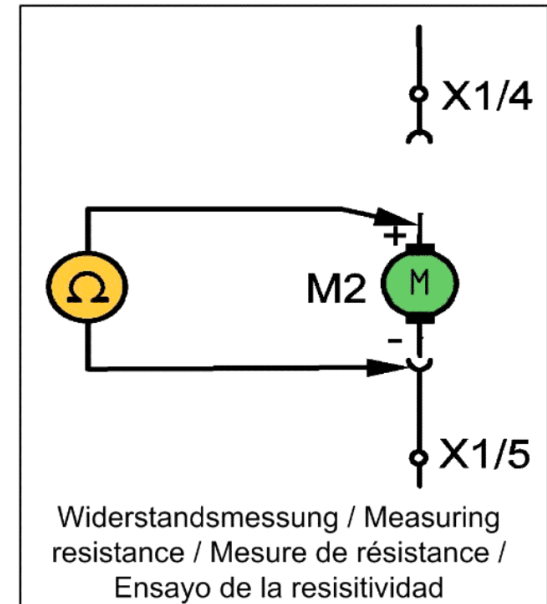
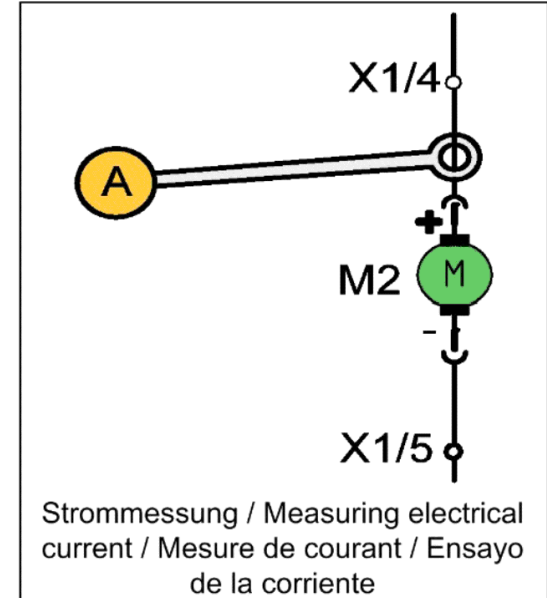
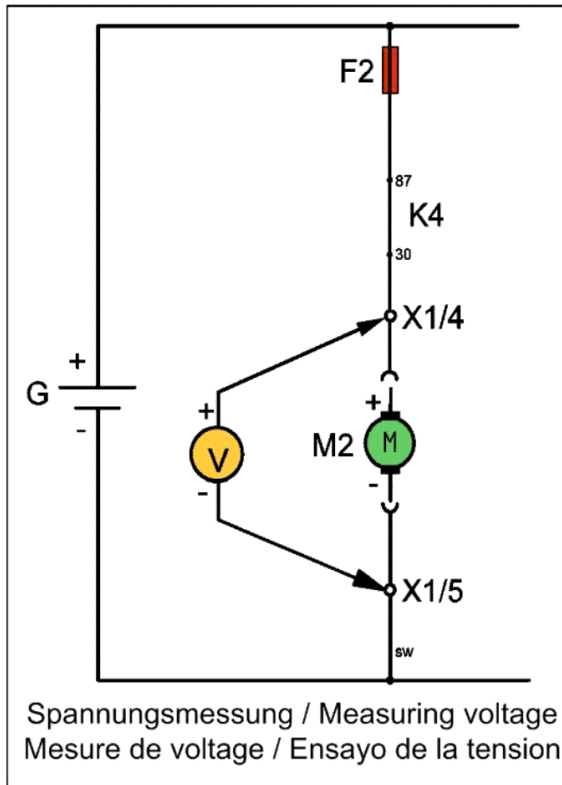
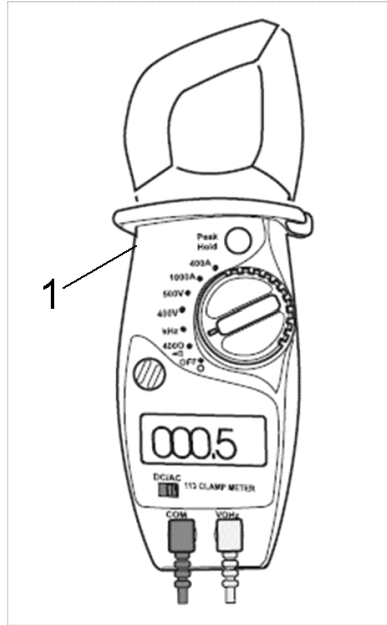


50 Add-on kit carpet cleaning

| Rez.daļas/nodil.pakļ.daļas | Poz. | Materiāla Nr. | Nosaukums | Daudzums | Pārdoš. vienība |
|-----------------------------------|-------------|----------------------|------------------------------------|-----------------|------------------------|
| X-X | 1 | 2.783-005.0 | Add-on kit carpet cleaning BR 30/4 | 1.000 | ST |
| X-X | 2 | 4.762-499.0 | Roller brush blue | 1.000 | ST |
| X-X | 3 | 5.033-275.0 | Suction bar carpet cleaning | 1.000 | ST |

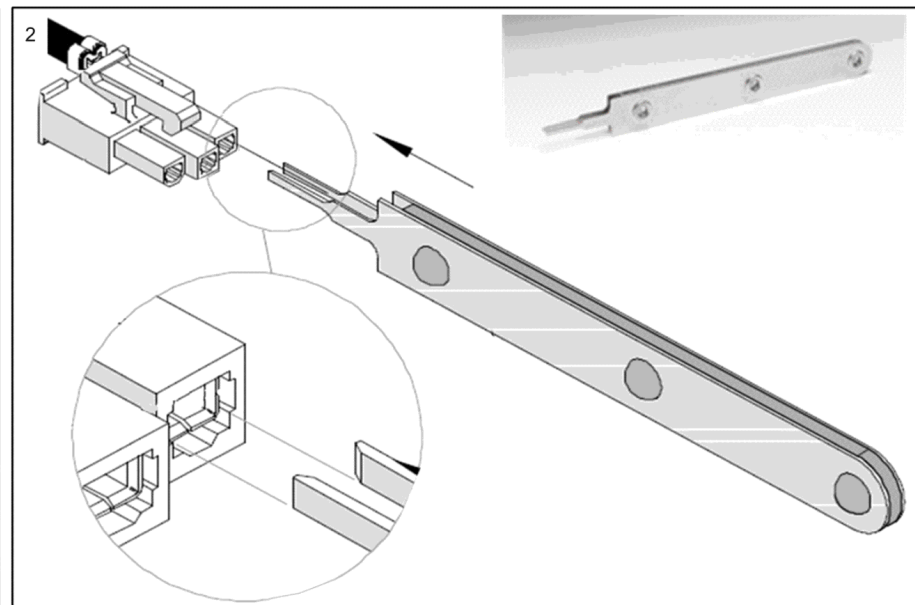
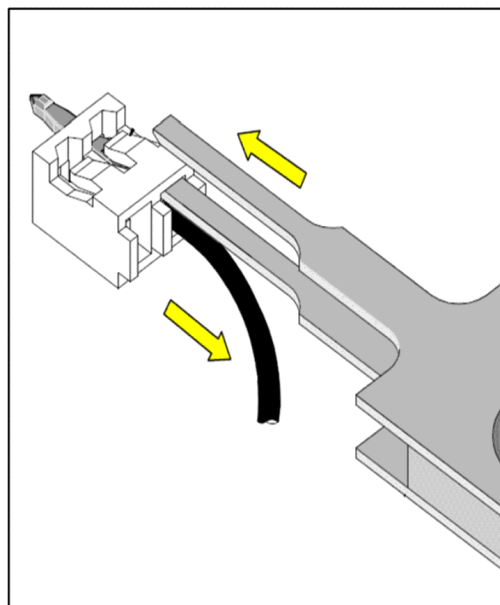
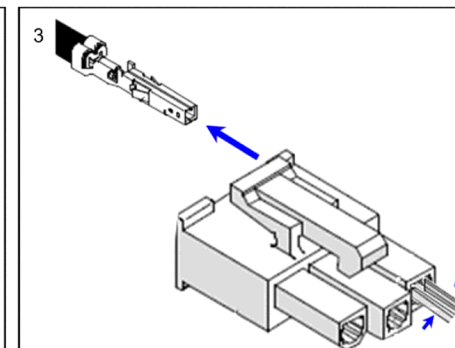
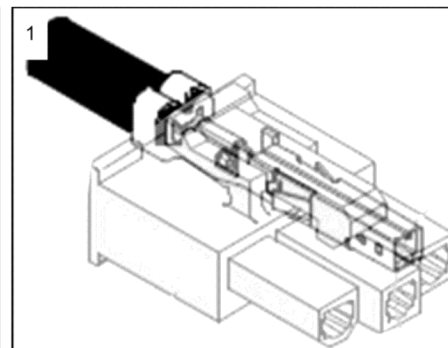
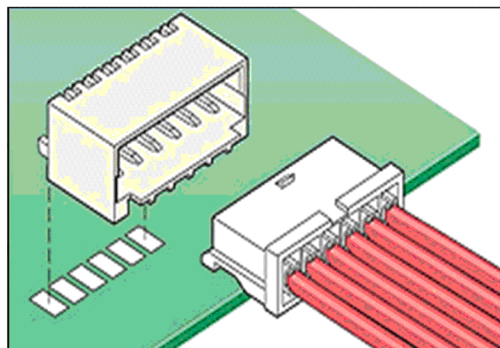
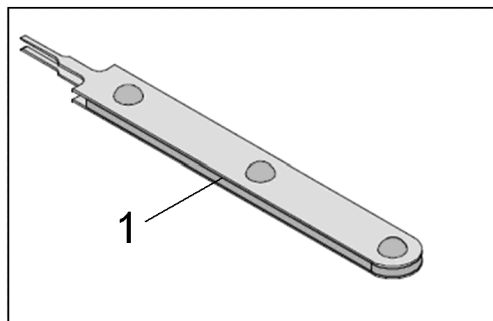
200 Special tools

| Poz. | Nosaukums | Daudzums | Pārdoš. vienība |
|------|--|----------|-----------------|
| 200 | Tool measuring instrument current AC/DC, | 1.000 | ST |
| 210 | Tool tool - extractor system Molex | 1.000 | ST |
| 220 | Tool tester electric Metratester5 | 1.000 | ST |
| 230 | Tool tester electric Metrel MI3309 | 1.000 | ST |



200 Tool measuring instrument current AC/DC,

| Poz. | Materiāla Nr. | Nosaukums | Daudzums | Pārdoš. vienība |
|-------------|----------------------|---------------------------|-----------------|------------------------|
| 1 | 6.803-022.0 | Clamp meter AC/DC,A,V,Ohm | 1.000 | ST |



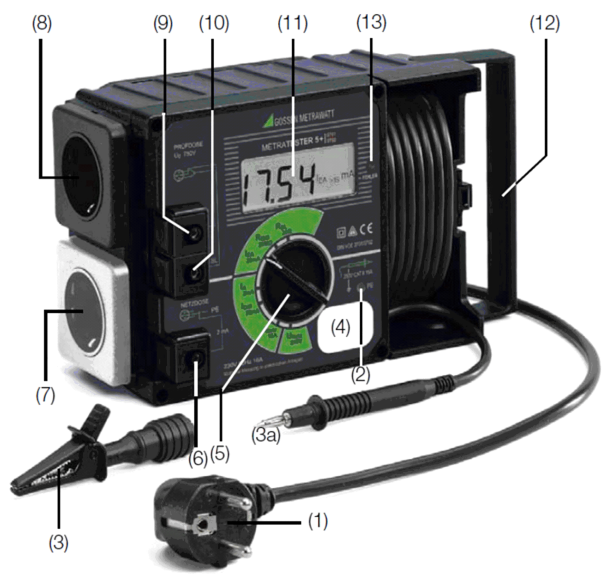
210 Tool tool - extractor system Molex

| Poz. | Materiāla Nr. | Nosaukums | Daudzums | Pārdoš. vienība |
|-------------|----------------------|------------------|-----------------|------------------------|
| 1 | 6.816-086.0 | Pliers Molex | 1.000 | ST |



Das Prüfgerät ist zum Prüfen und Messen an instandgesetzten oder geänderten elektrischen Geräten nach DIN VDE 0701 oder DIN VDE 0702 bestimmt. Gemäß diesen Vorschriften müssen nach einer Instandsetzung oder Änderung elektrischer Geräte der Schutzleiterwiderstand, der Isolationswiderstand, der Ersatz-Ableitstrom und bei Datenverarbeitungseinrichtungen und Büromaschinen die Spannungsfreiheit berührbarer leitfähiger Teile gemessen werden.

The tester is intended for the testing and measurement of repaired or modified electrical devices in accordance with DIN VDE 0701-702. These regulations require the measurement of protective conductor resistance, insulation resistance and equivalent leakage current for repaired or modified electrical devices, as well as testing for the absence of voltage at exposed, conductive parts for data processing systems and office machines.

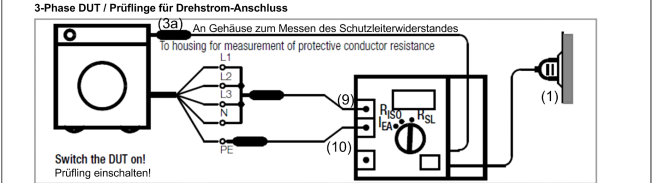
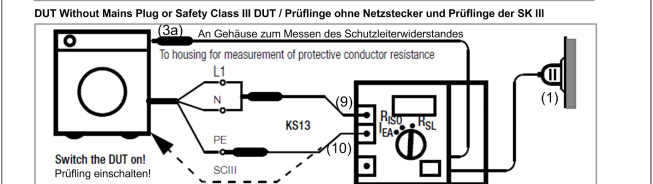
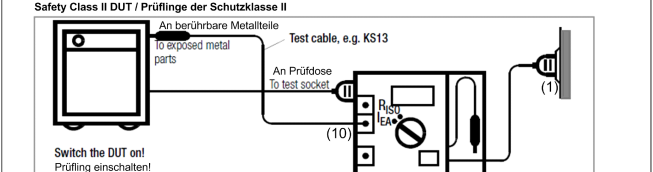
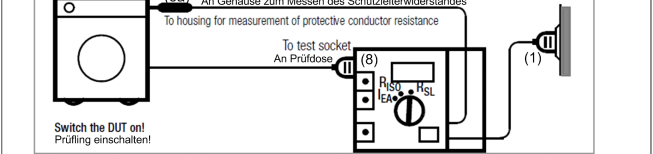


(2) Signallampe PE zur Prüfung des Schutzleiters
Die Signallampe PE leuchtet, wenn zwischen der berührten Kontaktfläche (4) und dem Schutzkontakt des Netzanschlusstekers (1) eine Potentialdifferenz von ≥ 100 V besteht.
(3) Krokodilklemme (Greifklemme zum Aufstecken auf die Prüfspitze)
Mit der Krokodilklemme schließen Sie, zur Messung des Schutzleiterwiderstandes, das Gehäuse des Prüflings an. Achten Sie dabei auf guten Kontakt.
(4) Kontaktfläche für Fingerkontakt
Beim Berühren der Kontaktfläche leuchtet die Signallampe (2), wenn zwischen dem Schutzleiter PE des Netzanschlusstekers (1) und der berührten Kontaktfläche eine Potentialdifferenz von ≥ 100 V besteht. Die Kontaktfläche ist von allen Anschlüssen und von der Messschaltung galvanisch getrennt und entspricht somit der Schutzklasse III
Prüfen des Schutzleiterpotentials
Berühren Sie mit dem Finger die Kontaktfläche (4) und gleichzeitig ein geerdetes Teil (z.B. Wasserleitung). Die Signallampe PE (2) darf dabei nicht leuchten! Das Potential zwischen dem Schutzleiter des Netzanschlusstekers (1) und der Kontaktfläche (4) ist dann ≤ 100 V.

(2) PE Signal Lamp for Protective Conductor Testing
The PE signal lamp lights up, if a potential difference of ≥ 100 V occurs between the contacting surface (4) and the earthing contact at the mains plug (1).
(3) Alligator clip (gripper clip for attachment to the test probe)
Connect the housing of the device under test with the alligator clip for measurement of protective conductor resistance.
(4) Contacting Surface for Contact Finger
The PE signal lamp (2) lights up, if a potential difference of ≥ 100 V occurs between the PE protective conductor at the mains plug (1) and the contacting surface. The contacting surface is electrically isolated from all terminals, as well as from the measuring circuit, and thus conforms to protection class III!
Testing Protective Conductor Potential
Bring the contact finger into contact with the contacting surface (4) and, at the same time, with a grounded object (e.g. a water pipe). The PE signal lamp (2) must not light up! Potential between the mains plug protective conductor (1) and the contacting surface (4) is then ≤ 100 V.

Anschließen des Prüflings (A) an das Prüfgerät
Für die Messung von Schutzleiterwiderstand, Isolationswiderstand und Ersatz-Ableitstrom

Connecting the Device Under Test to the Test Instrument
for the measurement of protective conductor resistance, insulation resistance and equivalent leakage current



220 Tool tester electric Metrater5

| Poz. | Materiāla Nr. | Nosaukums | Daudzums | Pārdoš. vienība |
|------|---------------|--|----------|-----------------|
| 1 | 6.803-034.0 | Test control unit Metrel MI 3309 Delta G | 1.000 | ST |



METREL MI3309 Delta GT



Messfunktionen:

- Schutzleiterwiderstand.
- Isolationswiderstand.
- Isolationswiderstand isolierter berührbarer leitfähiger Teile (S-Sonde).
- Ersatzableitstrom und Ersatzableitstrom isolierter berührbarer leitfähiger Teile (S-Sonde).
- Differenzstrom.
- Behrungsstrom.
- Leistung und RCD/FI Prüfung (Tragbare RCD).
- Funktions- und Stichtprüfung (dreiphasige Prüflinge über optionale Messadapter prüfbar (A 1316, A 1317).
- Polaritätsprüfung von IEC-Anschlusskabeln.

Measuring Functions

- Functional and visual inspection
- Earth bond resistance
- Insulation resistance
- Insulation resistance of isolated accessible conductive parts
- Substitute leakage current
- Substitute leakage current of isolated accessible conductive parts
- Differential leakage current test
- Touch leakage test
- PRCD test
- Power test
- IEC cord polarity test
- TRMS voltage meter

| | | |
|----|------------------|--|
| 1 | LCD-DISPLAY | Punktmatrixdisplay mit Hintergrundbeleuchtung 128 x 64 Pixel. |
| 2 | SCHLECHT | Rote Anzeige bewerten das Messergebnis mit |
| 3 | GUT | Grüne Anzeige GUT/SCHLECHT |
| 4 | TEST | Startet die Prüfung / Bestätigt die gewählte Option. |
| 5 | AUFWÄRTS | Wählt einen Parameter / Ändern des gewählten |
| 6 | ABWÄRTS | Parametervertes. |
| 7 | MEM | Speichern/Abfragen/Löschen von Prüfungen im Speicher des Instruments (Aktiv bei der Delta GT PRC). |
| 8 | TAB | Wählt die Parameter / den Punkt / die Option für die ausgewählte Funktion. Schaltet das Instrument ein oder aus. Um das Instrument auszuscheiden, muss die Taste 2 Sekunden lang gedrückt werden. Das Instrument schaltet sich automatisch 15 Minuten nach der letzten Tastenbetätigung aus. Rückkehr zur vorherigen Ebene. Netz-Prüfsteckdose. |
| 9 | EIN / AUS ESC | |
| 10 | | |
| 1 | LCD | 128 x 64 dots matrix display with backlight. |
| 2 | FAIL | Red indicator Indicates PASS / FAIL of result. |
| 3 | PASS | Green indicator |
| 4 | TEST | Starts testing / confirms selected option. |
| 5 | UP | |
| 6 | DOWN | Selects parameter / changes value of selected parameter. |
| 7 | MEM | Store / recall / clear tests in memory of instrument. |
| 8 | TAB | Selects the parameters / item / option in selected function. Switches the instrument power on or off. To switch the instrument Off the key must be pressed for 2 seconds. The instrument automatically turns off in 15 minutes after the last key was pressed. Returns to previous level. |
| 9 | ON / OFF ESC | |
| 10 | | Test socket. |



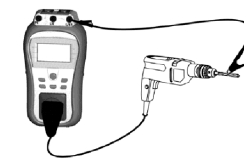
Typical test circuits for Earth continuity resistance measurement

Prüfschaltungen für die Schutzleiterwiderstand-Durchgangswiderstandsmessung



Test circuits for Insulation resistance measurement

Prüfschaltungen für die Messung des Isolationswiderstands



Test circuit for differential leakage current measurement

Prüfschaltung für die Differenzstrom-Messung



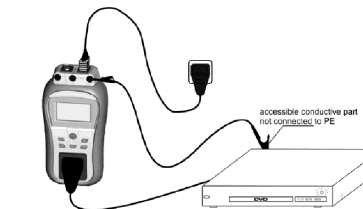
Test circuits for Substitute leakage current measurement

Prüfschaltungen für die Ersatzableitstrommessung



Test circuits for touch leakage current measurement

Prüfschaltungen für die Berührungstrom-Messung



230 Tool tester electric Metrel MI3309

| Poz. | Materiāla Nr. | Nosaukums | Daudzums | Pārdoš. vienība |
|-------------|----------------------|--|-----------------|------------------------|
| 1 | 6.803-034.0 | Test control unit Metrel MI 3309 Delta G | 1.000 | ST |
