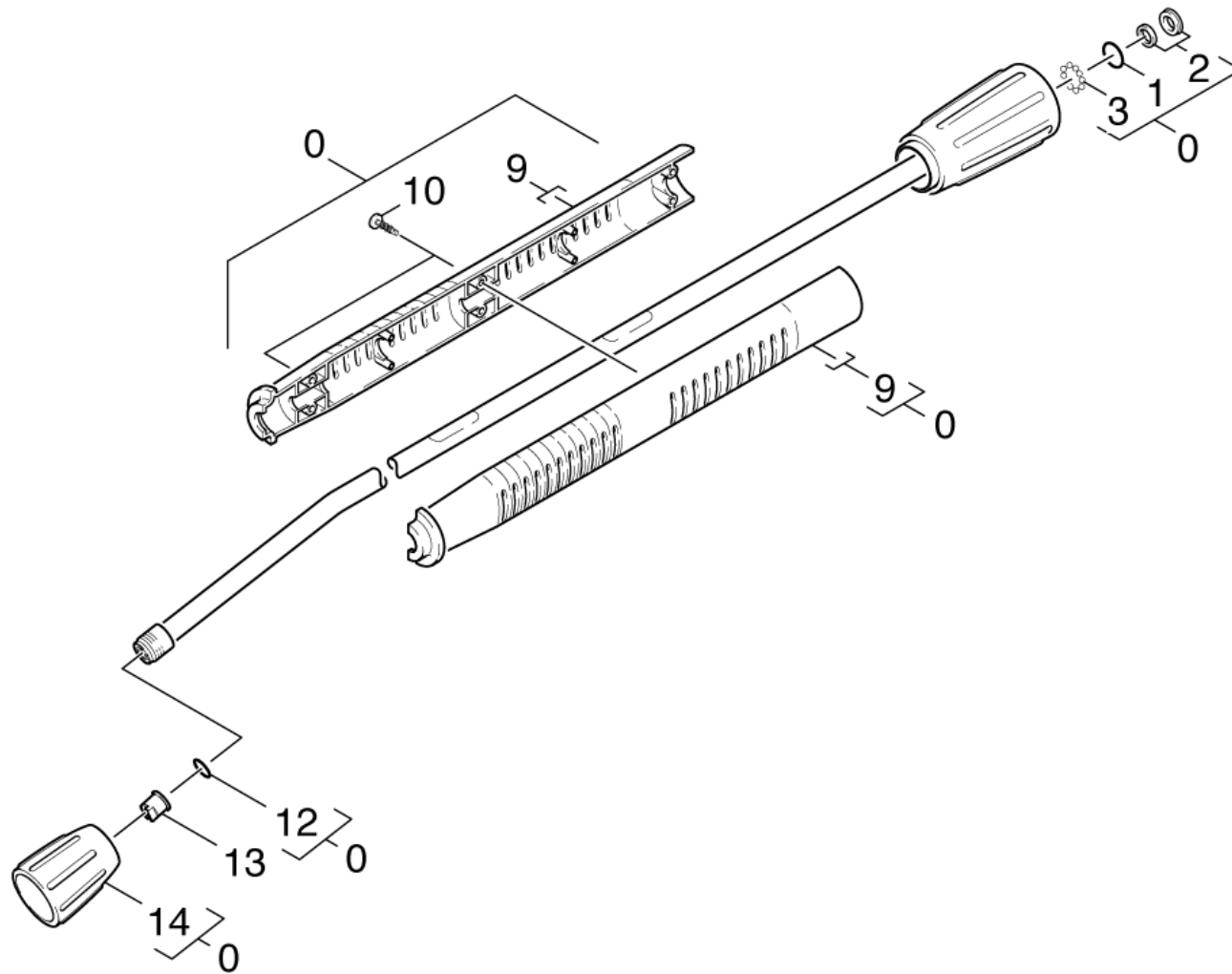


115 Jet pipe

Professional \ High pressure cleaner hotwater \ Electric motor \ HDS 798 C *EU \ Spare parts list HDS 798 C \ Accessories \ Jet pipe



115 Jet pipe

Professional \ High pressure cleaner hotwater \ Electric motor \ HDS 798 C *EU \ Spare parts list HDS 798 C \ Accessories \ Jet pipe

KÄRCHER

POS	Article no.	Description	Quantity	Unit
0	4.760-660.0	Jet pipe packaged only for replacement	1.000	ST
1	6.362-524.0	O-Ring seal 17,0 X 1,5	1.000	ST
2	4.363-692.0	Grooved ring kpl. -nur fuer Ersatz-	1.000	ST
3	7.401-915.0	Sphere 2,5 G40 -1.4034 DIN 5401	20.000	ST
9	5.321-691.0	Handhold few jet pipe	1.000	ST
10	6.303-025.0	Oval head screw 4,2x16-St-vz	6.000	ST
12	2.880-154.0	O-Ring kit	1.000	ST
13	2.883-829.0	Power nozzle 25043	1.000	ST
	Item text1: / 1.174-101.0 / -102.0 / -113.0			
13	2.883-398.0	Power nozzle 25045	1.000	ST
	Item text1: / 1.174-103.0 / -104.0 / -110.0			
14	5.401-129.0	Screw connector part	1.000	ST