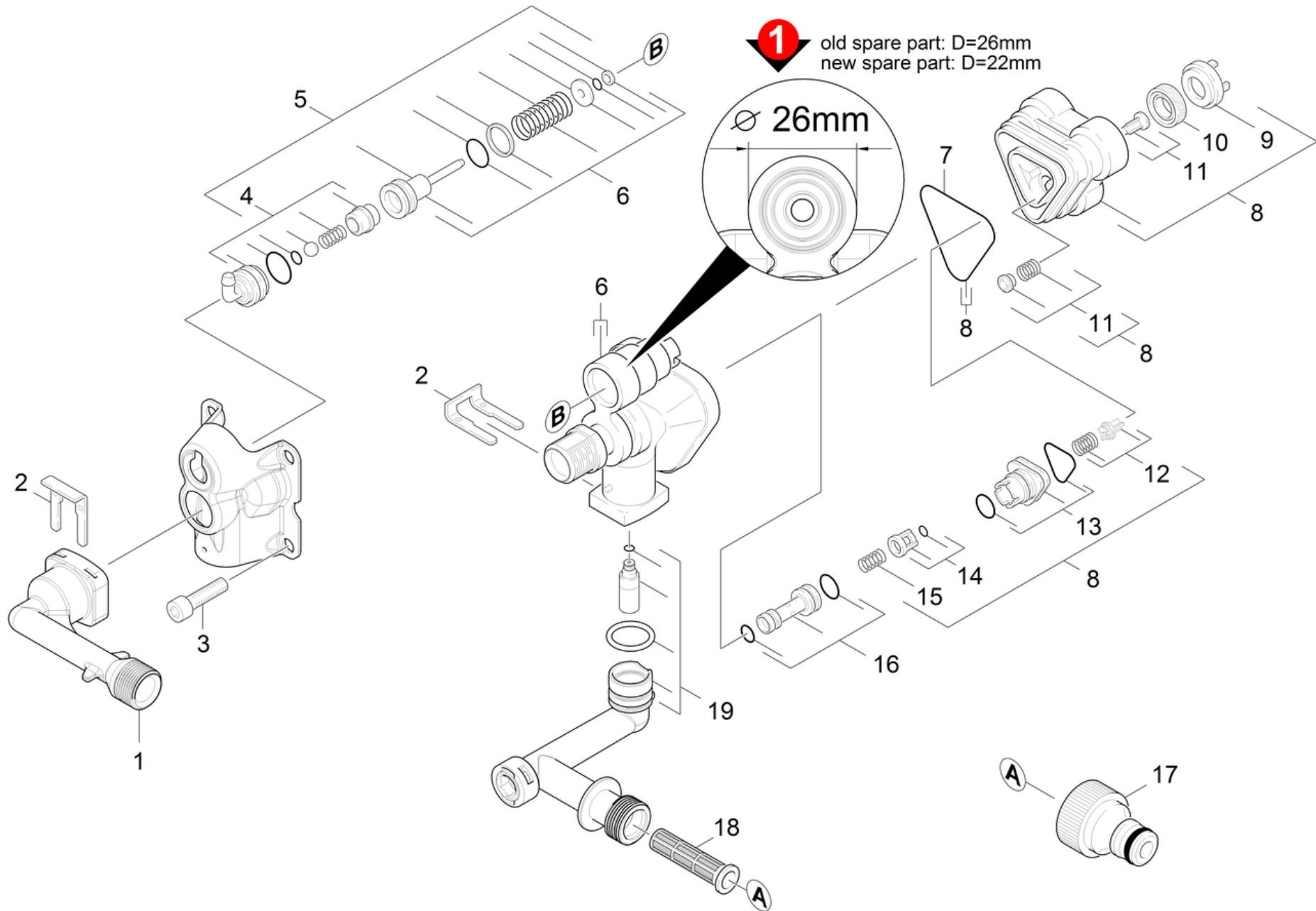


23 Housing

Home and Garden \ High pressure cleaner cold water \ Electric motor \ K 3 \ K 3.80 MD *EU \ Spare parts list K 3.80/K3.08MD *EU \ Pump set \ Housing



23 Housing

Home and Garden \ High pressure cleaner cold water \ Electric motor \ K 3 \ K 3.80 MD *EU \ Spare parts list K 3.80/K3.08MD *EU \ Pump set \ Housing



POS	Article no.	Description	Quantity	Unit	Foot note text
1	9.036-703.0	Connection delivery side	1.000	ST	
2	9.039-148.0	Metal fork	2.000	ST	
3	9.086-200.0	Screw M 8x55 Class 8.8	4.000	ST	
4	9.001-741.0	Aspiration cleaning agents for replaceme	1.000	ST	
5	9.001-972.0	pressure piston complete wcm spare part	1.000	ST	
6	9.002-010.0	Conversion kit housing new D=22mm	1.000	ST	
7	9.081-422.0	Form seal	1.000	ST	
8	9.001-693.0	Spare parts set cylinder head WCP	1.000	ST	
	Item text1: 1.950-100.0				
8	9.001-693.0	Spare parts set cylinder head WCP	1.000	ST	
	Item text1: all other machines				
9	9.038-428.0	Supportring 6,7 mm	3.000	ST	
	Item text1: all other machines				
9	9.038-428.0	Supportring 6,7 mm	3.000	ST	
	Item text1: 1.950-100.0				
10	6.362-875.0	Grooved ring	3.000	ST	
11	9.001-110.0	Moulded part complete	1.000	ST	SET CONSISTS OF 3X MACHINED PART COMPL.
12	9.001-149.0	Spare parts set valve	1.000	ST	SET CONSITSTS OF 3X VALVE
13	9.001-106.0	Joining piece	1.000	ST	
14	9.001-107.0	Cage complete	1.000	ST	
15	9.047-026.0	Spring	1.000	ST	
16	9.001-739.0	Injector complete	1.000	ST	
17	6.465-031.0	Connection 3/4	1.000	ST	
18	5.731-598.0	Fine filter long	1.000	ST	
19	9.001-945.0	inlet fitting complete Kx.80 replacement	1.000	ST	