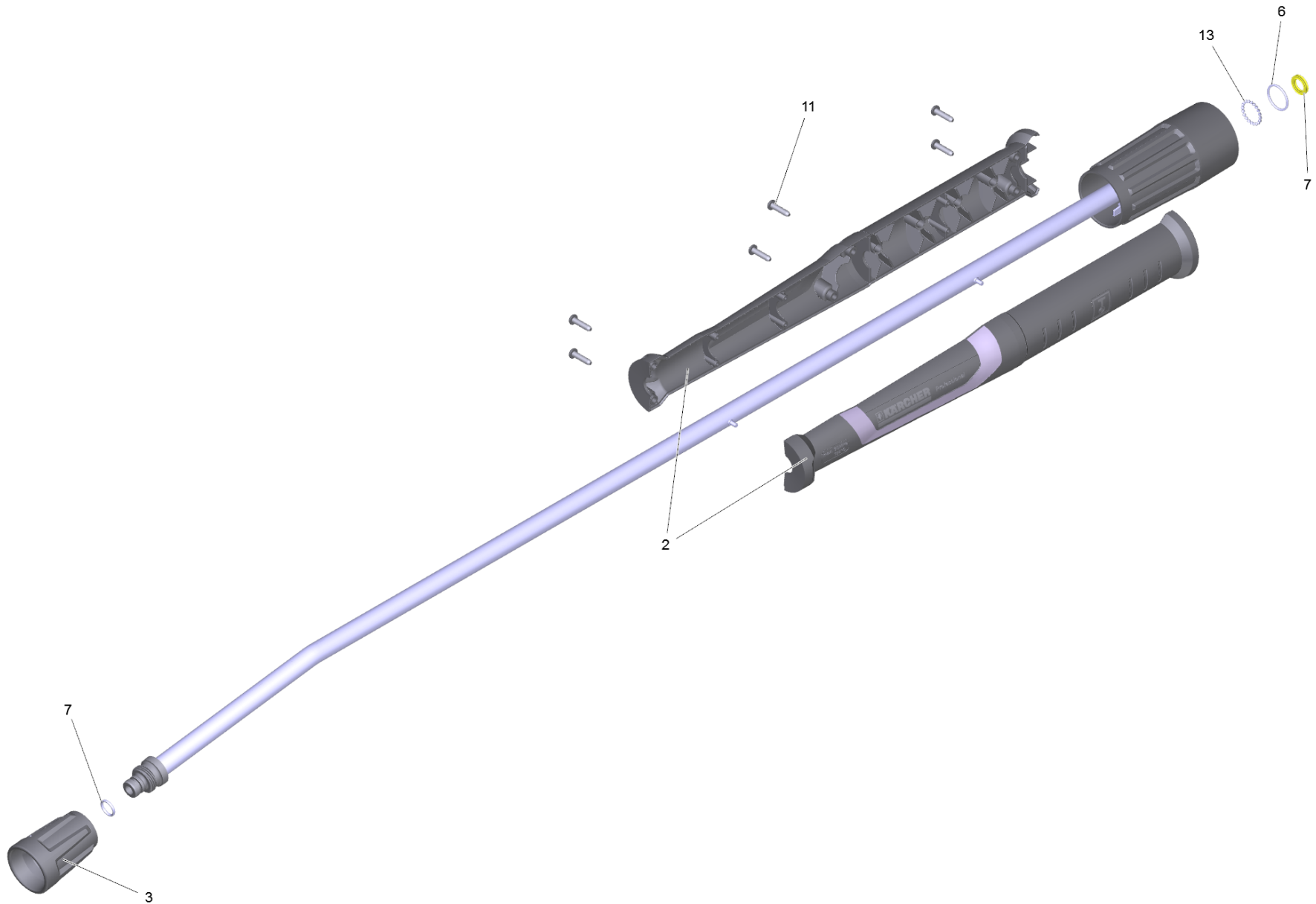


# 1 Jet pipe trapezoidal thread 2050 mm

Professional \ High pressure cleaner hotwater \ Accessories \ Jet pipe TR 2050 mm \ Jet pipe trapezoidal thread 2050 mm



# 1 Jet pipe trapezoidal thread 2050 mm

Professional \ High pressure cleaner hotwater \ Accessories \ Jet pipe TR 2050 mm \ Jet pipe trapezoidal thread 2050 mm

**KÄRCHER**

POS	Preces Nr.	Apraksts	Quantity	Unit
2	5.321-018.3	Handle bowl jet pipe only for replacemen	1.000	ST
6	6.362-067.0	O-Ring seal 16,1x1,6	1.000	ST
3	4.112-011.0	Protection part TR only for replacement	1.000	ST
13	7.401-915.0	Sfēra 2,5 G20 -1.4034 DIN 5401	20.000	ST
11	7.303-129.0	Skrūve 4x16 -10.9-R2R (K-In6Rd)	6.000	ST
7	2.880-001.0	Spare part set seals TR	1.000	ST