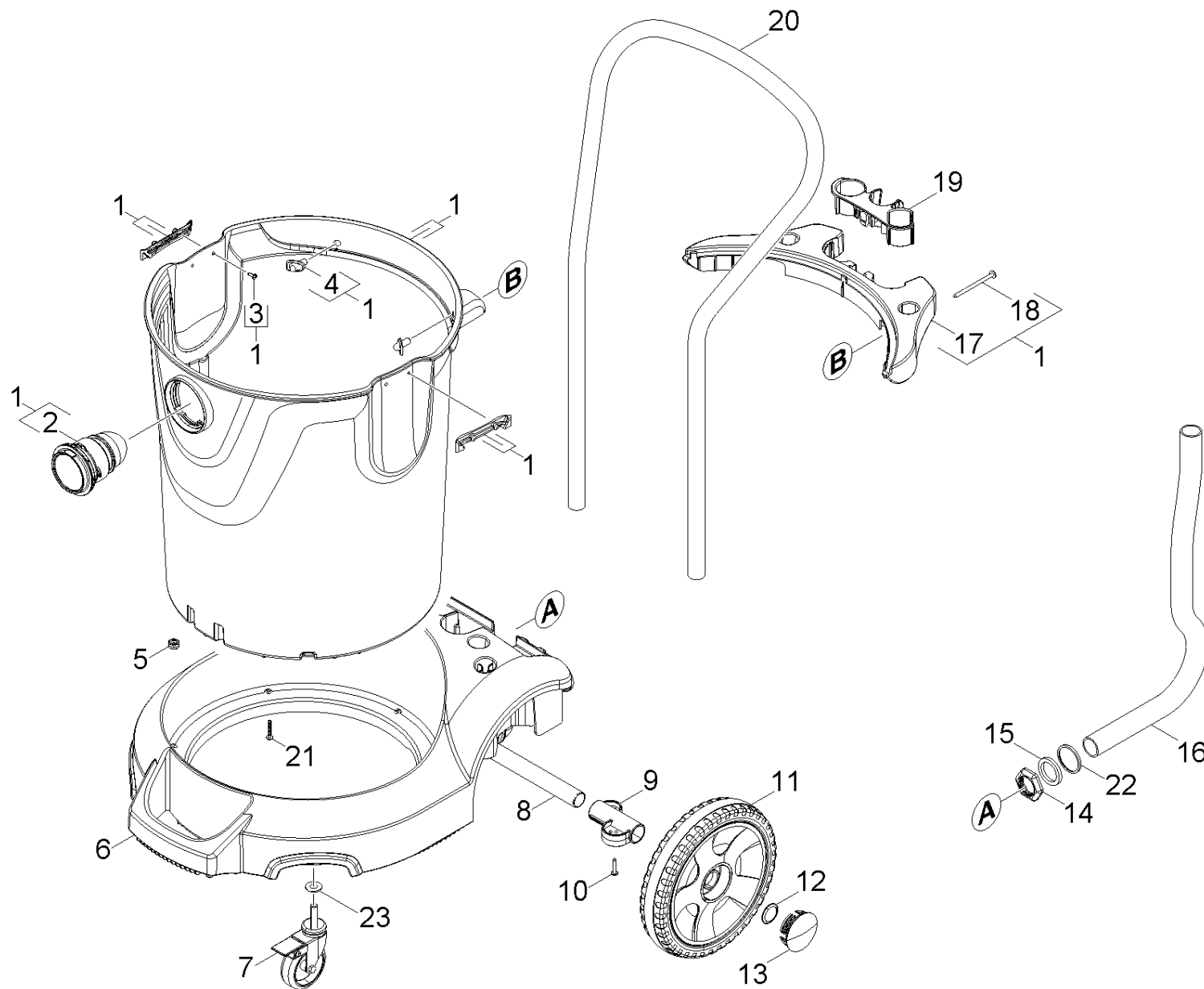


# 41 Tank

Overview technical documents/Professional/Vacuum cleaner/Wet-dry vacuum cleaner/NT 70/2 \*EU (1.667-223.0)/Spare parts list NT 70/x/40 Tank/41 Tank



## 41 Tank

Overview technical documents/Professional/Vacuum cleaner/Wet-/dry vacuum cleaner/NT 70/2 \*EU (1.667-223.0)/Spare parts list NT 70/x/40 Tank/41 Tank

Rez.daļas/nodil.pakļ.daļas	Poz.	Materiāla Nr.	Nosaukums	Daudzums	Pārdoš. vienība
	1	6.394-667.0	Tank complete	1.000	ST
	1	4.060-834.0	Tank complete plastics	1.000	ST
	2	5.031-602.0	Suction connection	1.000	ST
	3	7.303-106.0	Skrūve 4x12 -10.9-R2R (IN6RD)	4.000	ST
	4	5.032-285.0	Fixing	2.000	ST
X-X	5	7.311-423.0	Sešstūra uzgr. M10 -04-A2E ISO 10511	2.000	ST
X-X	6	5.037-196.0	Chassis plastics	1.000	ST
X-X	7	6.435-384.0	Pagriezējveltnītis ar bremzi 75	2.000	ST
	8	5.105-643.0	Axle	1.000	ST
X	9	5.033-437.0	Holder axle	2.000	ST
	10	6.303-200.0	Skrūve 5x25-IN6RD	4.000	ST
	11	4.515-255.0	wheel	1.000	ST
X-X	11	4.515-320.0	Wheel complete	1.000	ST
X-X	12	6.343-217.0	Piespiedējplāksne D25	2.000	ST
X-X	13	2.889-086.0	Set wheel cap	1.000	ST
	14	5.031-940.0	Hexagon nut	1.000	ST
	15	6.363-250.0	Blīvgredzens 32x44	1.000	ST
X-X	16	6.391-879.0	Drain hose	1.000	ST
	17	5.672-307.0	Holder accessories large Kunststoff	1.000	ST
	18	7.303-248.0	Screw 5x80-10.9-R2R (K-In6Rd) (12-0,5)	2.000	ST
	19	5.032-262.0	Holder accessories	1.000	ST
	20	5.034-881.0	Shearing shackle	1.000	ST
X-X	21	7.303-086.0	Skrūve 5x30 -10.9-R2R (K-In6Rd)	6.000	ST
	22	9.411-023.0	Ring	1.000	ST
X-X	23	7.312-107.0	Washer 10,2x40x2 -St-A2K DIN 522	2.000	ST