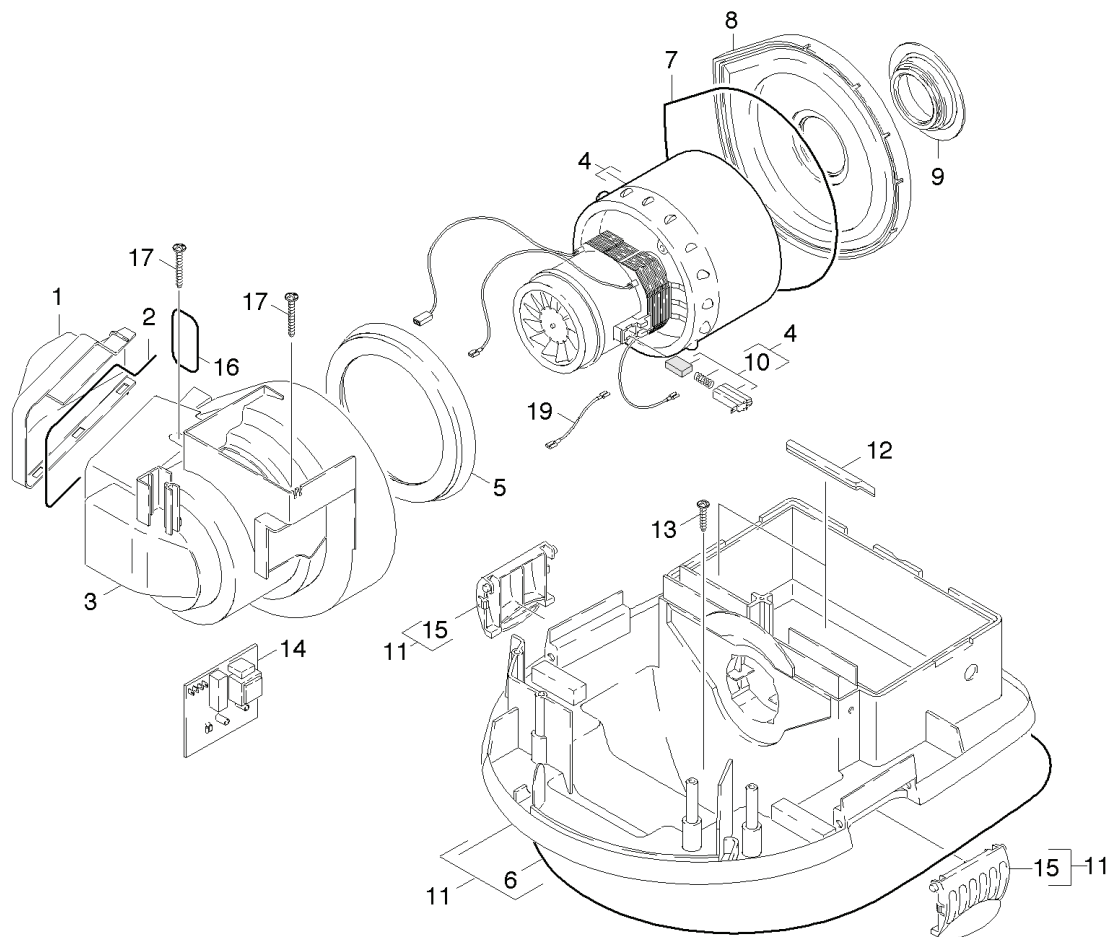


20 Vacuum motor

Professional \ Vacuum cleaner \ Wet-/dry vacuum cleaner \ NT 362 Eco \ Spare parts list NT 360 ECO \ Vacuum motor

KÄRCHER



20 Vacuum motor

Professional \ Vacuum cleaner \ Wet-/dry vacuum cleaner \ NT 362 Eco \ Spare parts list NT 360 ECO \ Vacuum motor

KÄRCHER

POS	Article no.	Description	Quantity	Unit
19	6.648-812.0	Cable black 1,0mm ² x350mm	1.000	ST
10	6.610-246.0	Carbon brush	2.000	ST
7	6.273-162.0	Cellular rubber	1.000	ST
16	6.273-193.0	Cord cellular rubber D5	1.000	ST
6	6.273-192.0	Cord cellular rubber D6	1.000	ST
8	5.363-435.0	Cover turbine	1.000	ST
1	5.063-875.0	Cover working air	1.000	ST
14	6.682-476.0	Electronics	1.000	ZSA
11	4.060-468.0	Housing complete MF EL	1.000	ST
3	5.605-237.0	Housing turbine	1.000	ST
15	5.031-601.0	Locking clip	2.000	ST
12	5.031-626.0	Moulded part	2.000	ST
13	6.303-306.0	Screw 5x16-ST-A2C (KO-IN6RD)	2.000	ST
17	7.303-111.0	Screw 5x50 -10.9-R2R (K-IN6Rd)	2.000	ST
5	5.363-393.0	Seal	1.000	ST
2	6.273-037.0	Seal string cellular rubber 3	1.000	M
9	5.363-475.0	Seal turbine	1.000	ST
4	6.490-166.0	Vacuum motor 230V	1.000	ST