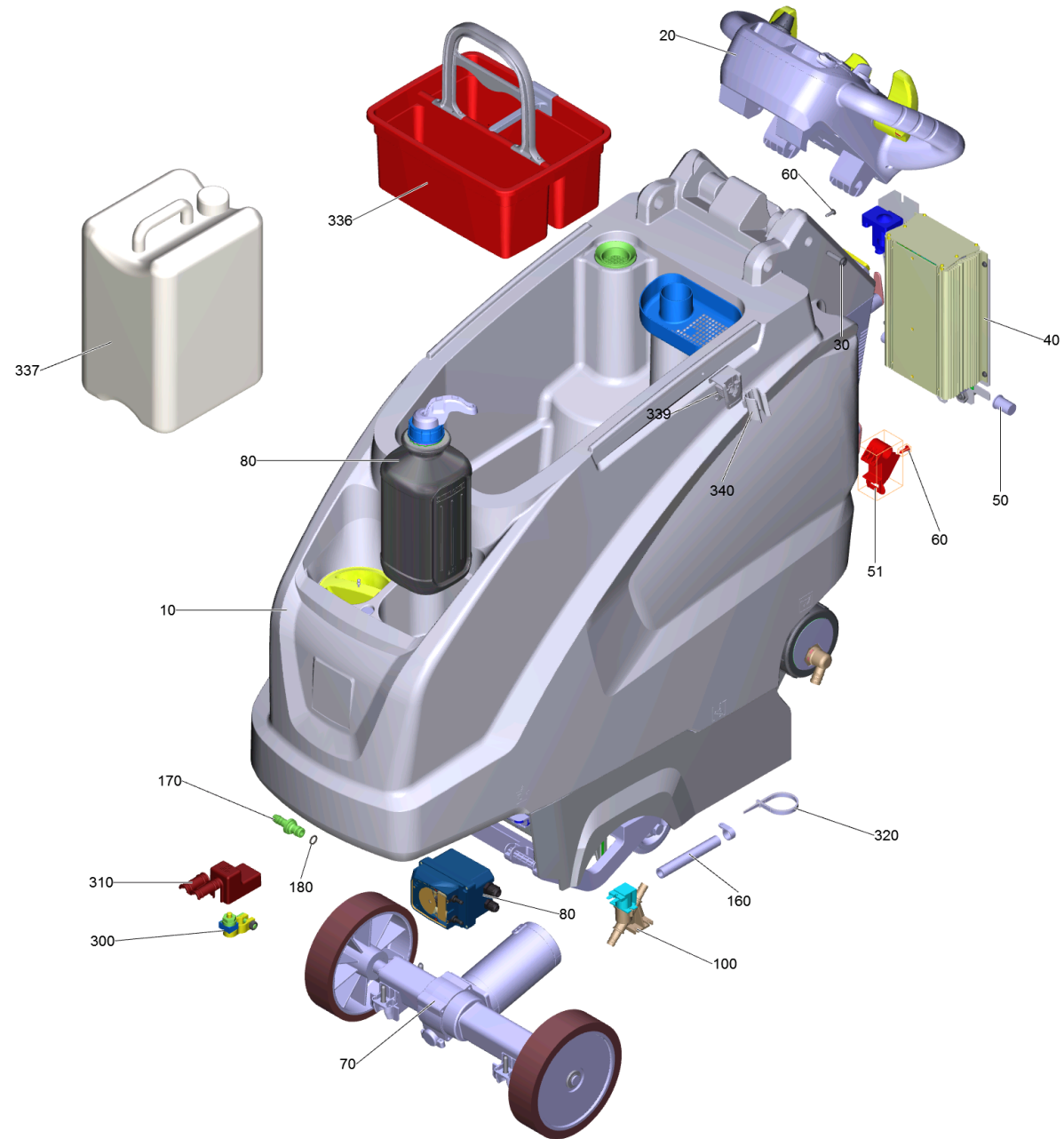
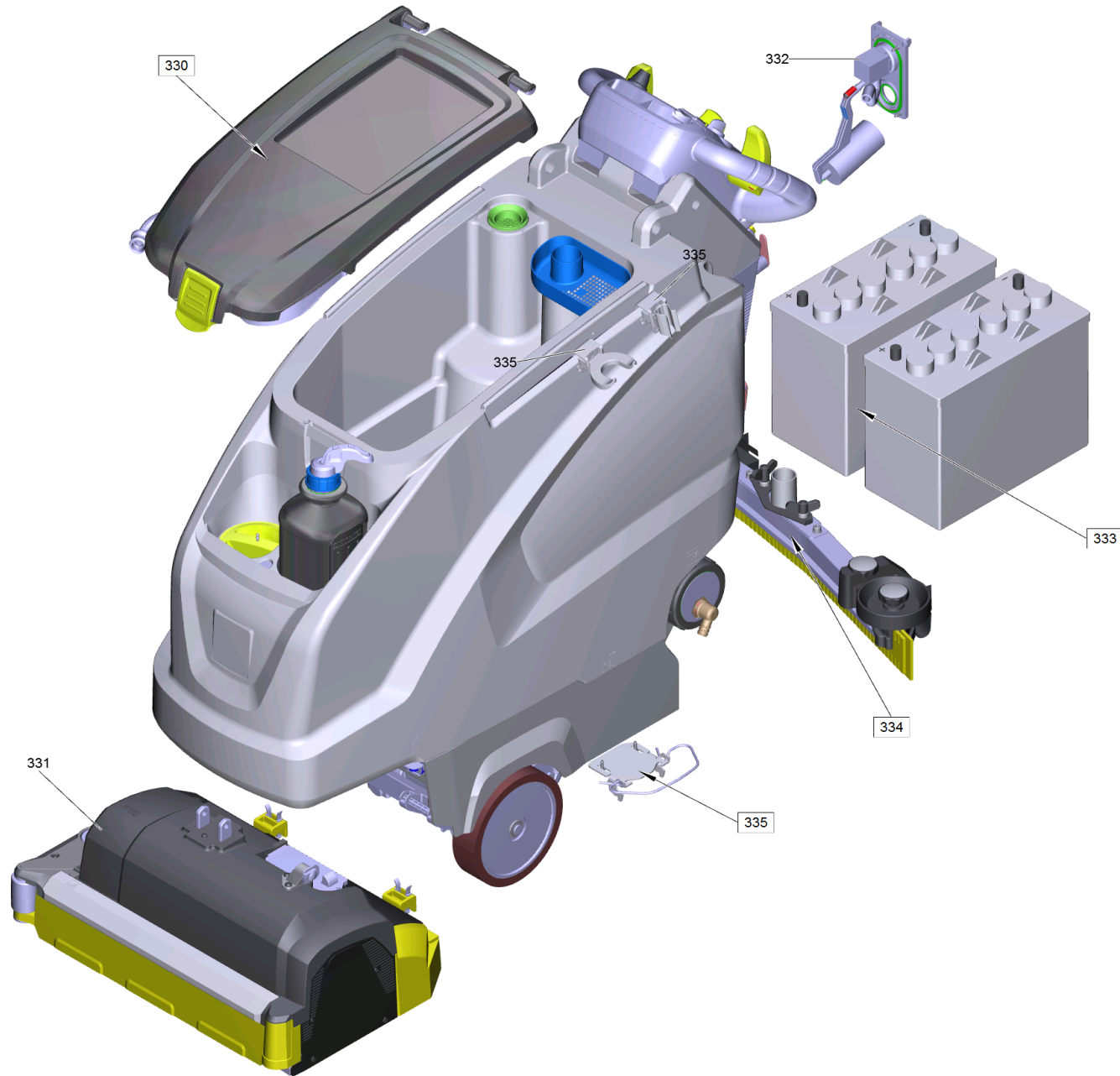


400 Spare parts list B 40 W Bp Dose =>10163 (5.974-058.0)

Professional \ Floor cleaner \ Walk behind \ B 40W+R55+Autofill+Squeeg *RU \ Spare parts list B 40 W Bp Dose =>10163





400 Spare parts list B 40 W Bp Dose =>10163 (5.974-058.0)

Professional \ Floor cleaner \ Walk behind \ B 40W+R55+Autofill+Squeeg *RU \ Spare parts list B 40 W Bp Dose =>10163



POS	Article no.	Description	Quantity	Unit	Foot note text
10		Basic machinery B40	1.000	ST	
20		Control panel complete BAT W	1.000	ST	
30	6.303-315.0	Screw 8 x 35	4.000	ST	
40		Electric equipment B40 W Bp Dose	1.000	ST	
50	5.035-450.0	Bearing bush electronics	2.000	ST	
51	5.035-433.0	Adapter	2.000	ST	
60	7.303-107.0	Screw 5x16 -10.9-P2R (K-In6Rd)	3.000	ST	
70		Gear complete	1.000	ST	
80		RM tin	1.000	ST	
100	4.035-196.0	Solenoid valve for replacement 24 V	1.000	ST	
160	6.390-892.0	Spiral hose NW12	1.000	M	TO ORDER AS CUT GOODS
170	5.443-375.0	Hose stem	1.000	ST	
180	6.362-170.0	O-Ring seal 11,3 X 2,4-NBR 70	1.000	ST	
300	6.643-948.0	Pole binder single	1.000	ST	
310	5.394-852.0	Covering cap battery terminal	1.000	ST	
320	6.641-463.0	Cable tape	2.000	ST	
330	4.035-369.0	Cover tank flushing system complete	1.000	ST	
331	2.763-011.0	Brush-head R 55 W	1.000	ST	
332	4.035-345.0	Auto-Fill-In	1.000	ST	
333	4.035-373.0	Battery kit 105 Ah	1.000	ST	
334	4.777-411.0	Suction bar curved 850mm	1.000	ST	
334	4.777-079.0	Suction bar v-shaped 900mm	1.000	ST	
335	4.035-374.0	Set Homebase Mop	1.000	ST	
336	4.035-406.0	Set Homebase Box	1.000	ST	
337	6.295-120.0	Basic floor cleaner cleaning agents 69,	2.000	ST	
339	5.035-488.0	Adapter Homebase	1.000	ST	
340	6.980-078.0	Holder handhold grey	1.000	ST	