

## **Spare parts list**

(1.667-287.0) NT 65/2 Tact<sup>2</sup> Tc\*EU

## Table of contents

---

NT 65/2 Tact <sup>2</sup> Tc*EU (1.667-287.0)	3
4 Spare parts list NT 65/2 Tact <sup>2</sup> /Tc (5.971-755.0)	4
10 Cover	5
20 Vacuum motor	7
14 Housing base plate complete (4.605-125.0)	9
30 Filter	11
40 Tank	13
1 Tank basalt grey for replacement 65l (4.071-649.0)	16
15 Locking part kpl. (4.251-053.0)	18
50 Accessories	20
9 Floor tool packaged basalt grey DN40 (6.907-408.0)	22
50 Accessories	23
901 Hose electrically conducting packaged NW (2.889-141.0)	25
9000 Repair set NW40 (2.889-150.0)	27
902 Floor tool packaged NW40 360mm (2.889-153.0)	29
10 Assembly group holder rubber lips (4.862-020.0)	31
20 Assembly group holder brush strips (4.862-017.0)	33
60 Add-on kit nonconducting media	35

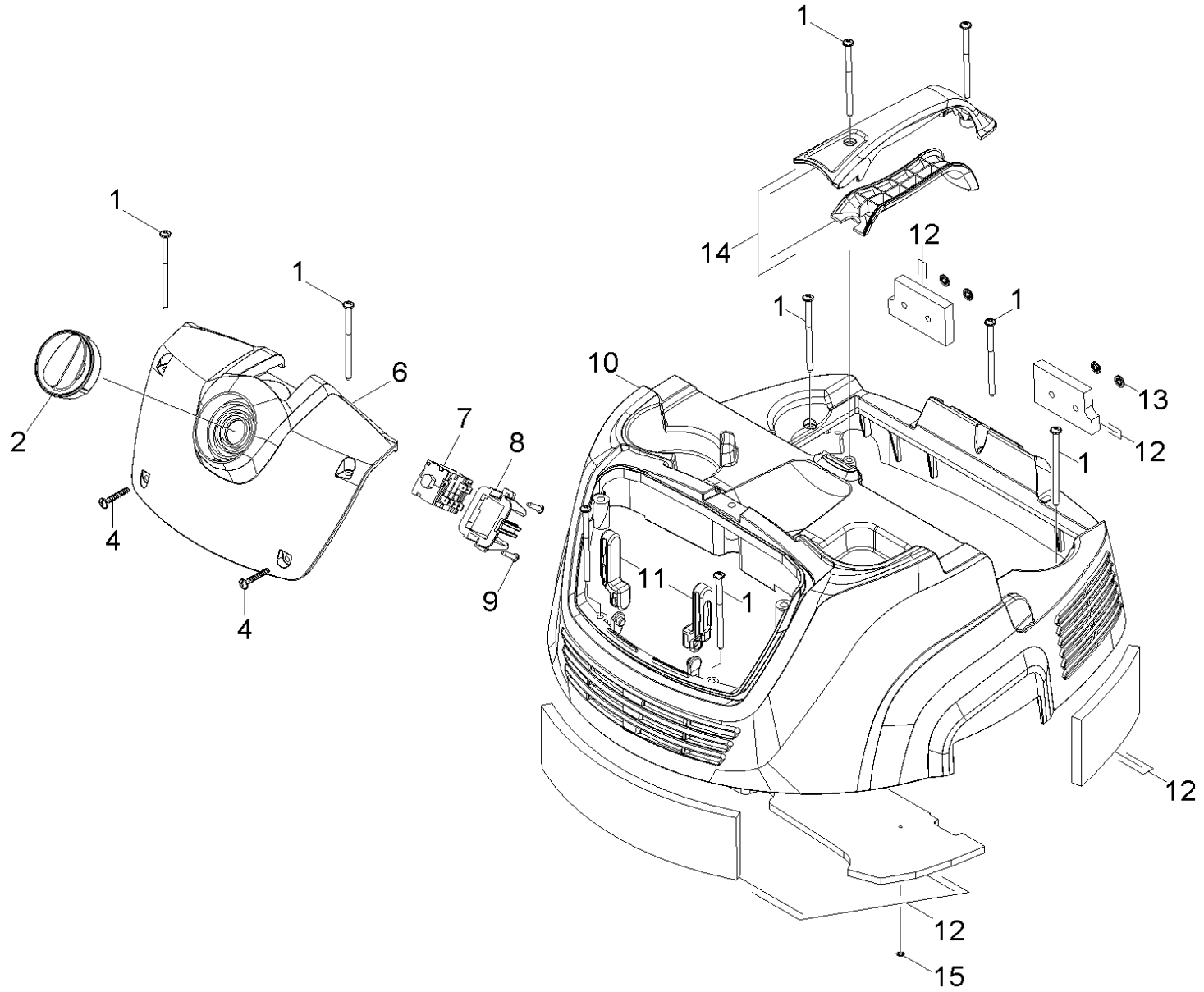
NT 65/2 Tact<sup>2</sup> Tc\*EU (1.667-287.0)

---

POS	Article no.	Description	Quantity	Unit
4	5.971-755.0	Spare parts list NT 65/2 Tact <sup>2</sup> /Tc	1.000	ST

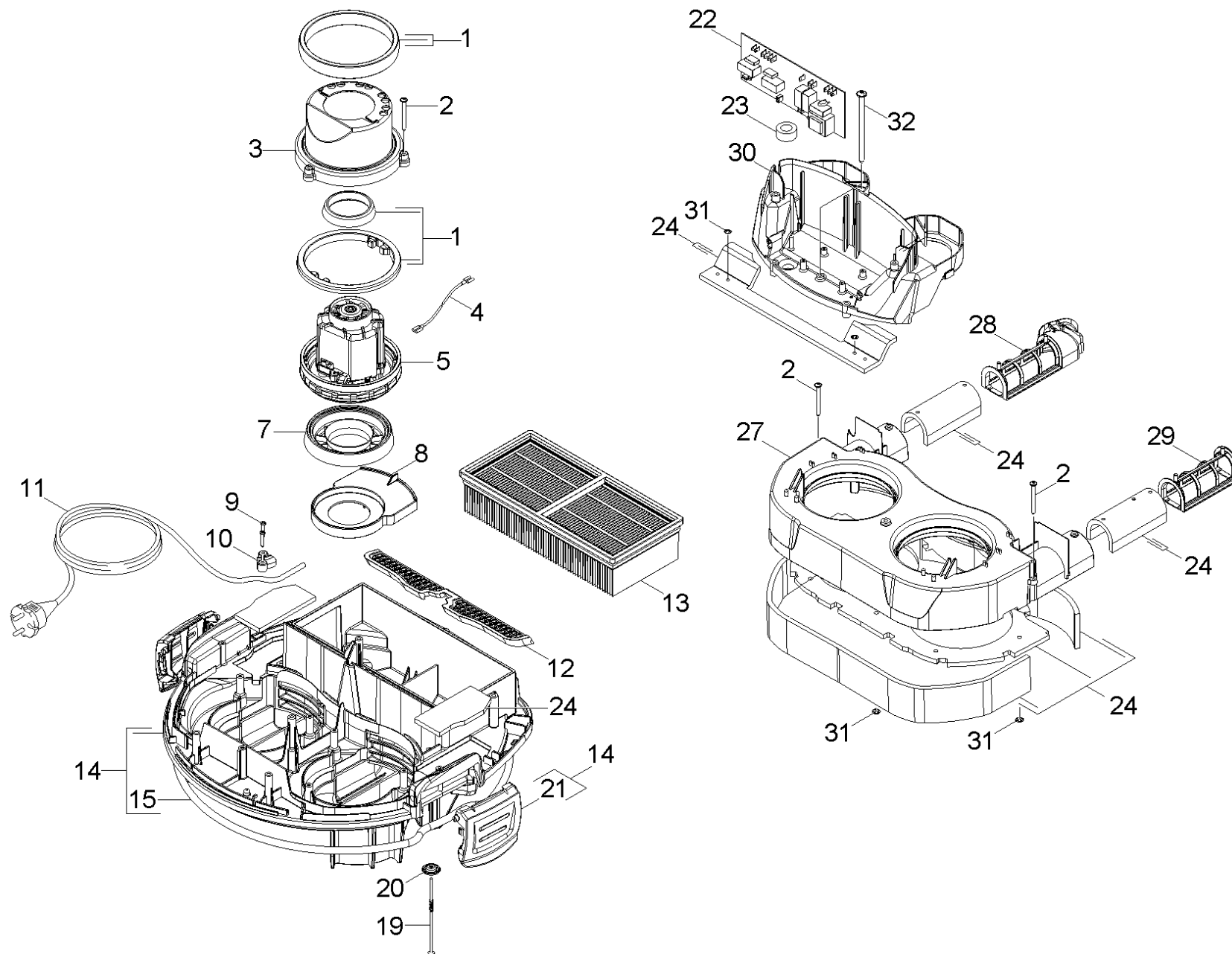
4 Spare parts list NT 65/2 Tact<sup>2</sup> /Tc (5.971-755.0)

POS	Description	Quantity	Unit	Serial number from	Serial number to
10	Cover	1.000	ST		
20	Vacuum motor	1.000	ST		
30	Filter	1.000	ST		
40	Tank	1.000	ST		
50	Accessories	1.000	ST		100000
50	Accessories	1.000	ST	100001	
60	Add-on kit nonconducting media	1.000	ST		



## 10 Cover

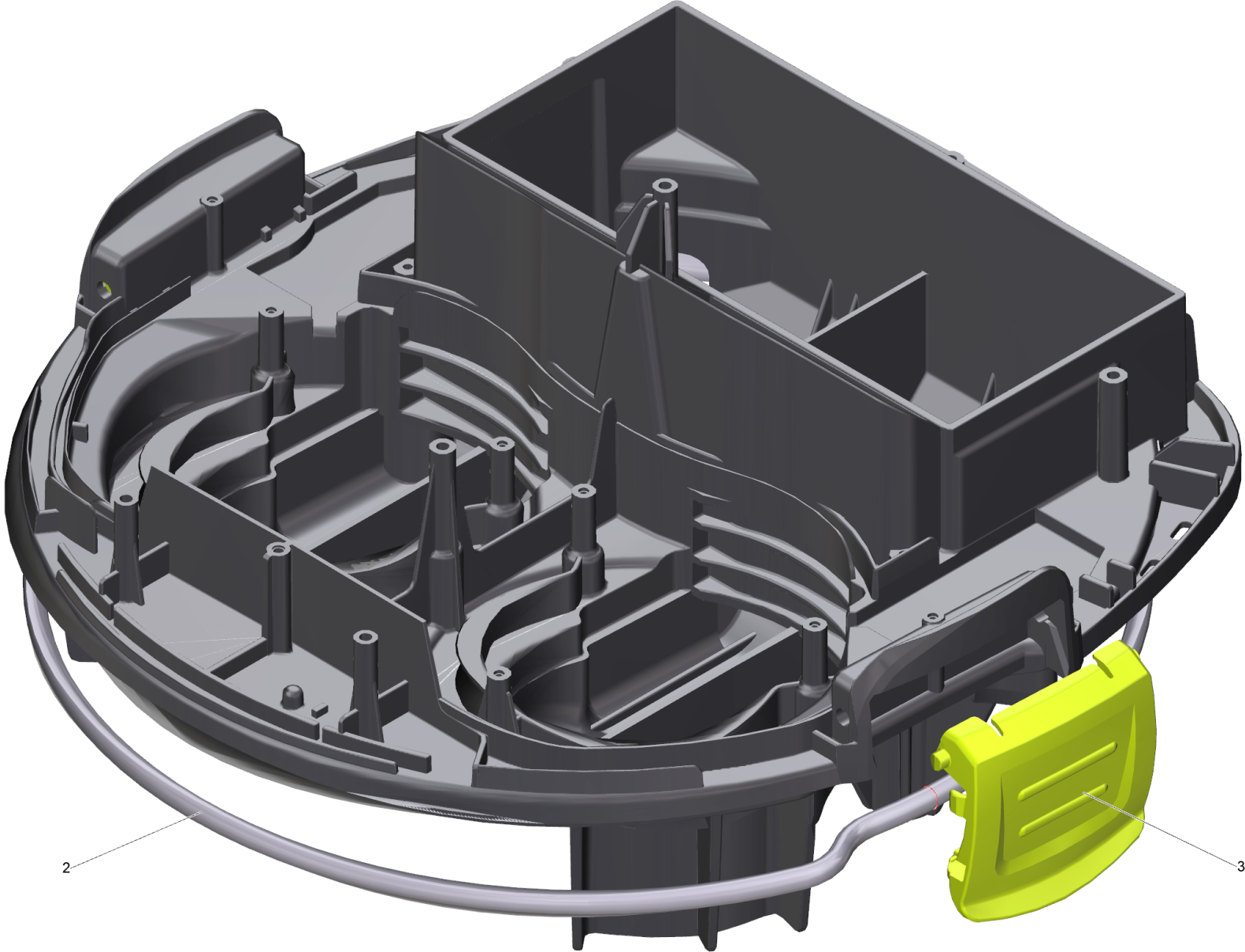
POS	Article no.	Description	Quantity	Unit
1	7.303-171.0	Screw 5x80 -10.9-R2R (K-In6Rd)	9.000	ST
2	5.744-023.0	Handle	1.000	ST
4	7.303-086.0	Screw 5x30 -10.9-R2R (K-In6Rd)	2.000	ST
6	5.841-060.0	Control panel	1.000	ST
7	6.630-425.0	Rotary switch	1.000	ST
8	5.394-906.0	Holder switch	1.000	ST
9	7.303-117.0	Screw 4x20 -A2-70 (In6Rd)	2.000	ST
10	5.069-488.0	Cover	1.000	ST
11	5.501-079.0	Hinge control panel	2.000	ST
12	2.286-002.0	Insulating mat set cover	1.000	ST
13	6.343-169.0	Quick-fastener	4.000	ST
14	4.322-002.0	Handhold set	1.000	ST
15	6.343-145.0	Lock washer 5	2.000	ST
16	6.286-039.0	Insulating mat control panel narrow UL	1.000	ST
17	6.286-038.0	Insulating mat control panel UL	1.000	ST
18	5.051-546.0	False plate UL	1.000	ST
19	5.395-063.0	Label for wet-/dry vacuum cleaner	1.000	ST



## 20 Vacuum motor

POS	Article no.	Description	Quantity	Unit
1	2.363-001.0	Seal turbine Set	2.000	ST
2	7.303-085.0	Screw 4x 35 -10.9-R2R (K-In6Rd)	8.000	ST
3	5.605-340.0	Housing turbine	2.000	ST
4	6.649-678.0	Cable turbine	4.000	ST
5	6.490-245.0	Blower motor 230V	2.000	ST
7	5.195-290.0	Bearing blower	2.000	ST
8	5.401-322.0	Insert housing base plate	2.000	ST
9	7.303-096.0	Screw 4x22 -ST-10.9-R2R (IN6RD)	2.000	ST
10	5.033-553.0	Covering cap power cable	1.000	ST
11	6.649-792.0	Power cable rubber 10m *EU	1.000	ST
12	5.363-729.0	Seal supply air	1.000	ST
13	6.907-277.0	Flat pleated filter PE M 0,95 m <sup>2</sup>	1.000	ST
14	4.605-125.0	Housing base plate complete	1.000	ST
15	6.362-857.0	Cord cellular rubber D10	1.000	ST
19	5.107-287.0	Probe	2.000	ST
20	6.312-130.0	Washer	2.000	ST
21	5.033-434.0	Locking clip	2.000	ST
22	6.682-980.0	Electronics	1.000	ST
23	6.346-043.0	Ferrite ring	1.000	ST
24	2.286-003.0	Insulating mat air circulation Set	1.000	ST
27	5.605-353.0	Housing air circulation	1.000	ST
28	5.394-894.0	Holder insulating mat right	1.000	ST
29	5.394-867.0	Holder insulating mat	1.000	ST
30	5.044-950.0	Holder electronics	1.000	ST
31	6.343-145.0	Lock washer 5	6.000	ST
32	7.303-171.0	Screw 5x80 -10.9-R2R (K-In6Rd)	2.000	ST

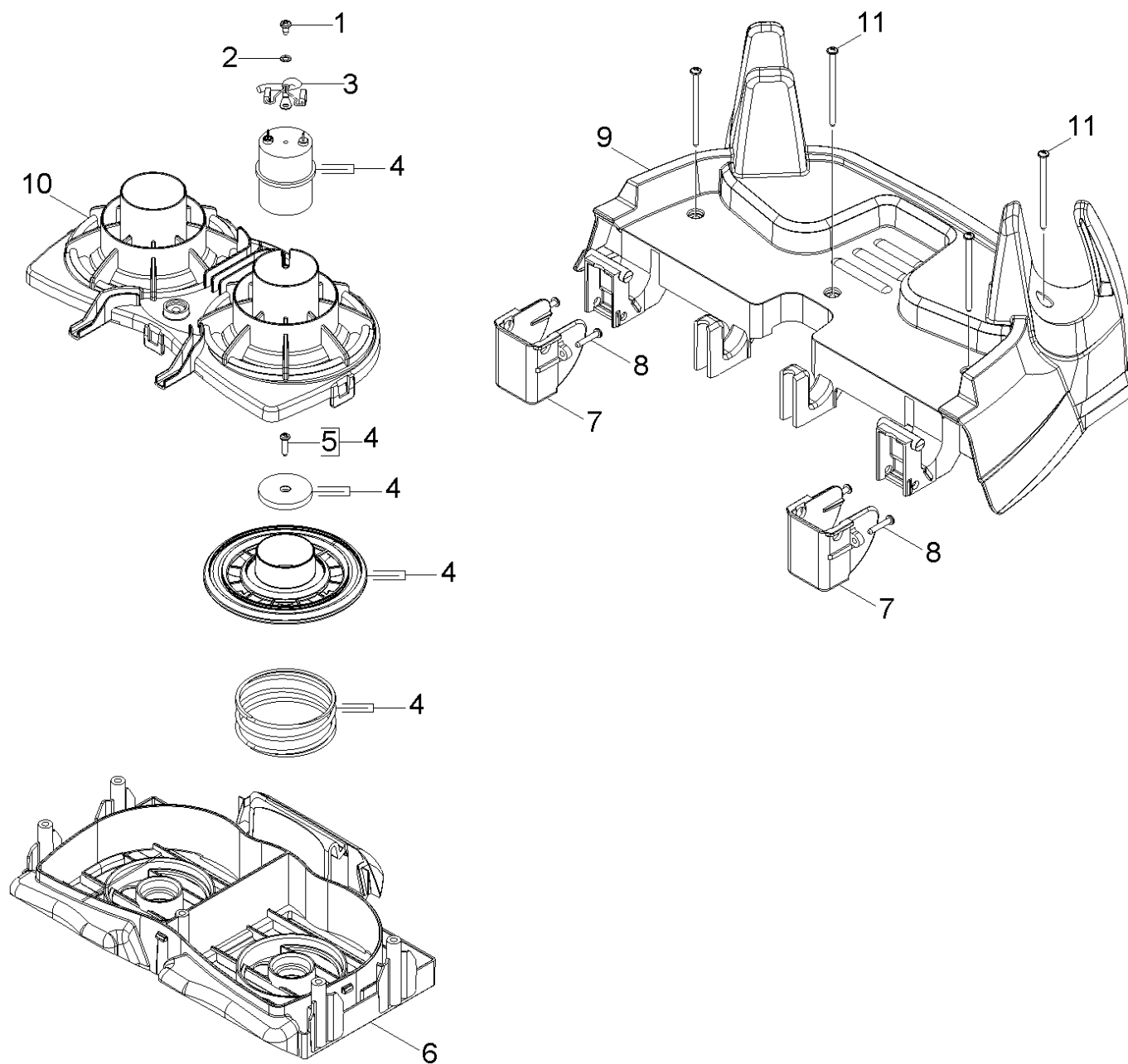




14 Housing base plate complete (4.605-125.0)

---

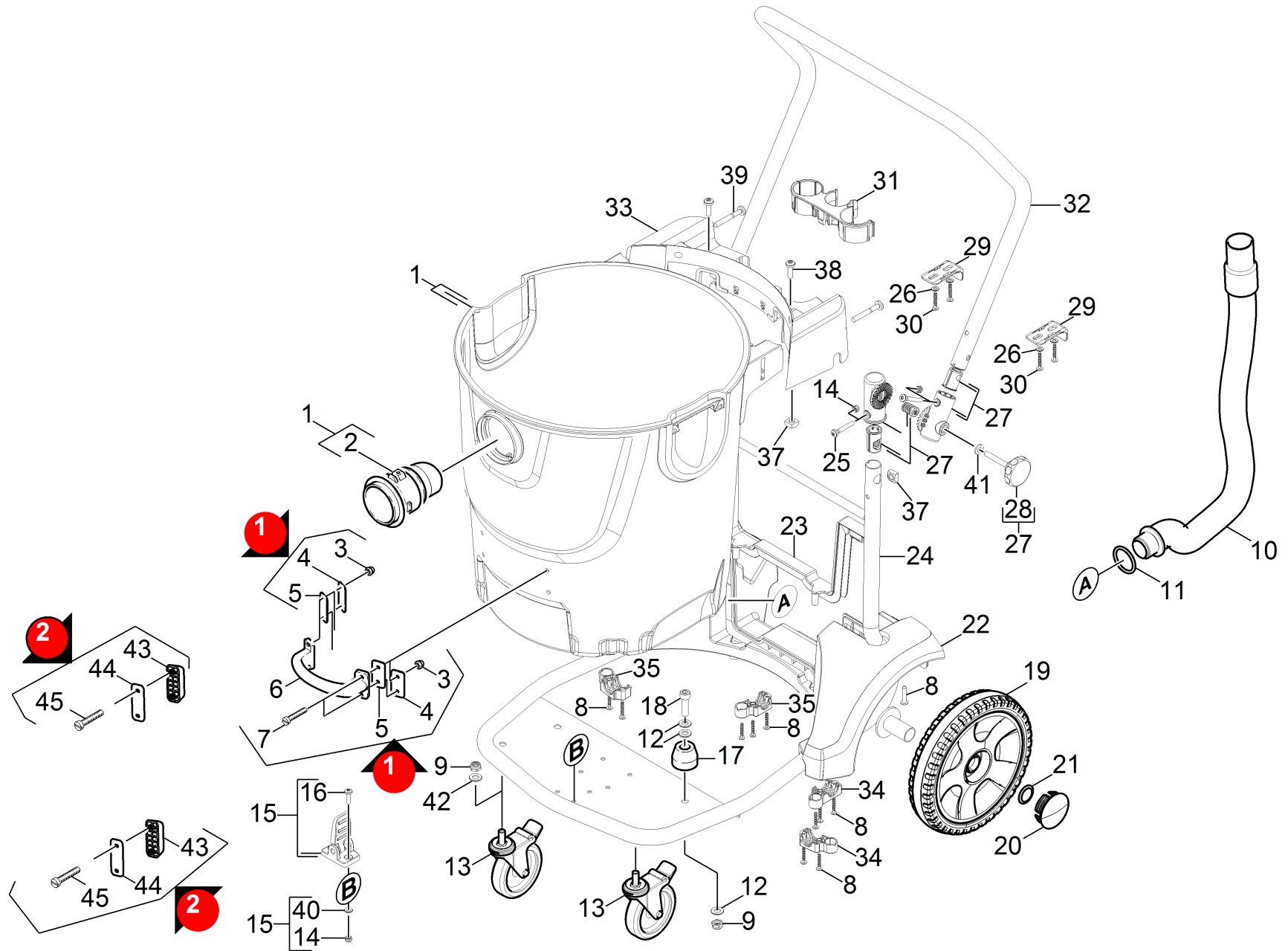
<b>POS</b>	<b>Article no.</b>	<b>Description</b>	<b>Quantity</b>	<b>Unit</b>
2	6.362-857.0	Cord cellular rubber D10	1.000	ST
3	5.033-434.0	Locking clip	2.000	ST



## 30 Filter

---

POS	Article no.	Description	Quantity	Unit
1	7.303-030.0	Screw M4x8 -St-P2R (In6Rd)	2.000	ST
2	7.312-039.0	Serrated lock washer A4,3-1.4310 DIN 67	2.000	ST
3	6.649-786.0	Cable magnet	1.000	ST
4	2.653-001.0	Magnet Set	2.000	ST
5	6.303-568.0	Oval head screw with hexalobular socket	2.000	ST
6	5.605-397.0	Housing backwashing RAL 7037	1.000	ST
7	5.044-976.0	Holder cover filter	2.000	ST
8	7.303-096.0	Screw 4x22 -ST-10.9-R2R (IN6RD)	4.000	ST
9	5.064-321.0	Cover Filter	1.000	ST
10	5.044-914.0	Holder magnet	1.000	ST
11	7.303-171.0	Screw 5x80 -10.9-R2R (K-In6Rd)	5.000	ST

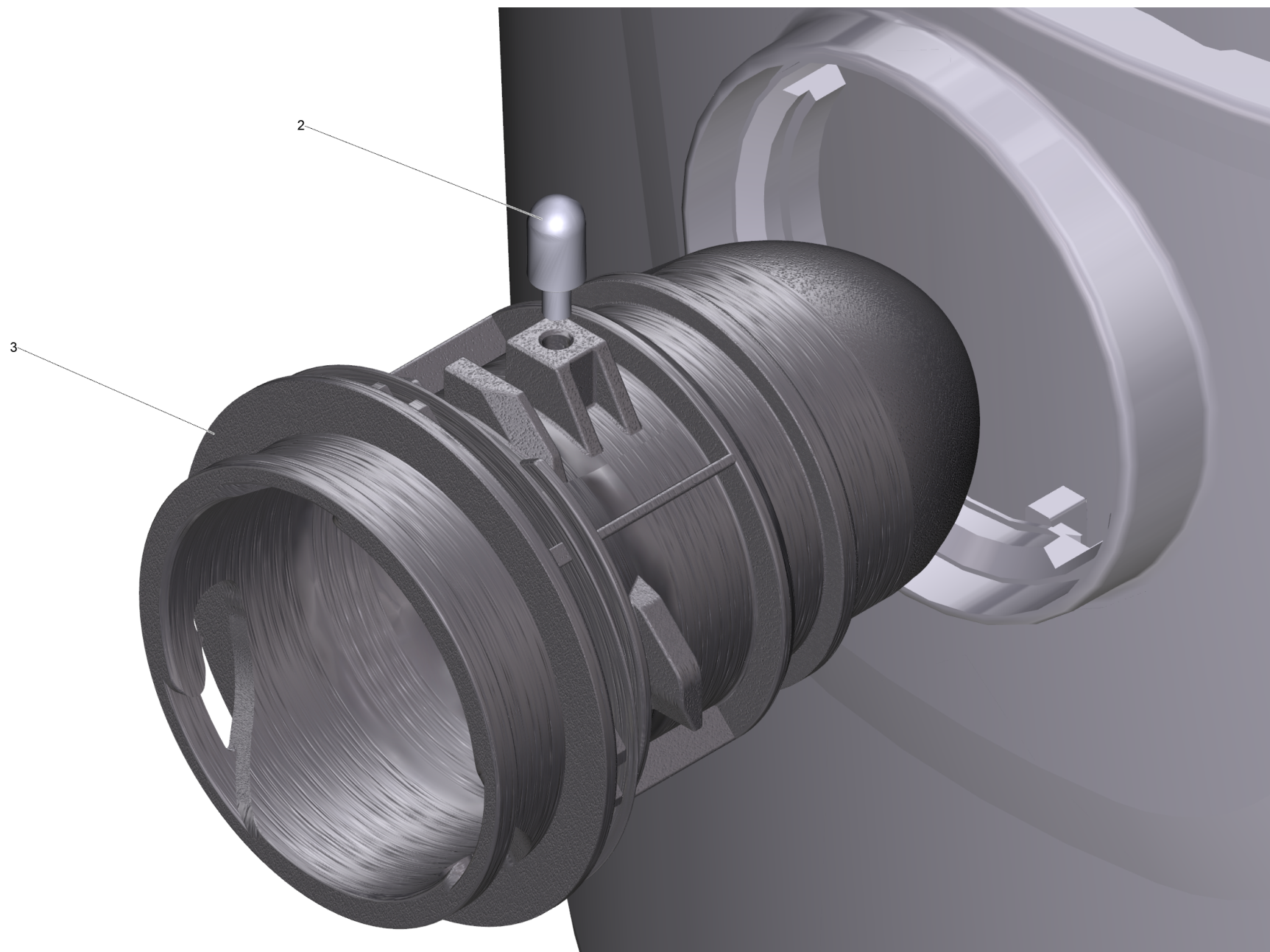


## 40 Tank

POS	Article no.	Description	Quantity	Unit	Serial number from	Serial number to	Foot note text
1	4.071-234.0	Tank basaltgrau Ersatz	1.000	ST		100000	
1	4.071-649.0	Tank basalt grey for replacement 65l	1.000	ST	100001		
2	5.034-098.0	Suction nipple electrically conducting O	1.000	ST	100001		
2	5.031-602.0	Suction connection	1.000	ST		100000	
3	7.311-334.0	Cap nut M6 -A1-50 DIN 917	4.000	ST			VERSION 1
4	5.058-523.0	Sheet metal component	2.000	ST			VERSION 1
5	6.273-236.0	Seal	2.000	ST			VERSION 1
6	5.321-699.0	Handhold	1.000	ST			
7	7.306-194.0	Screw M6x20 -A2-70 (In6Rd)	4.000	ST			VERSION 1
8	7.303-086.0	Screw 5x30 -10.9-R2R (K-In6Rd)	12.000	ST			
9	7.311-423.0	Hexagon nut M10 -04-A2E DIN 985	4.000	ST			
10	6.392-988.0	Drain hose DN 32 Verschluss gelb	1.000	ST			
11	6.363-562.0	O-Ring seal	1.000	ST			
12	7.312-005.0	Washer 10-200HV-A3E ISO 7089	6.000	ST			
13	6.435-829.0	Castor with brake	2.000	ST			
14	7.311-425.0	Hexagon nut M6 -04-A2E DIN 985	6.000	ST			
15	4.251-053.0	Locking part kpl.	1.000	ST			
16	7.306-193.0	Screw M6x16 -A2-70 (In6Rd)	2.000	ST			
17	5.332-501.0	Rubber buffer	2.000	ST			
18	7.306-074.0	Cylinder head screw M10x35-8.8-A3E ISO4	2.000	ST			
19	4.515-320.0	Wheel complete	1.000	ST			
20	2.889-086.0	Set wheel cap	1.000	ST			
21	6.343-162.0	Lock washer -25	2.000	ST			
22	5.521-049.0	Covering rear	1.000	ST			
23	5.033-603.0	Covering cap	1.000	ST			
24	4.051-279.0	Tilting chassis komplett	1.000	ST			
25	7.306-129.0	Screw M6x40 -8.8-P2R (In6Rd)	4.000	ST			

## 40 Tank

POS	Article no.	Description	Quantity	Unit	Serial number from	Serial number to	Foot note text
26	7.312-140.0	Washer 6-160HV-A3E ISO 8738	4.000	ST			
27	4.210-254.0	Joint set	2.000	ST			
28	6.303-552.0	Star grip with screw	2.000	ST			
29	5.033-604.0	Slider	2.000	ST			
30	7.303-108.0	Screw 5x20 -10.9-R2R (In6Rd)	4.000	ST			
31	5.044-504.0	Holder accessories small gelb	1.000	ST			
32	5.034-900.0	Shearing shackle	1.000	ST			
33	5.394-890.0	Holder tilting chassis Tc	1.000	ST			
34	5.394-909.0	Holder axle right	2.000	ST			
35	5.394-910.0	Holder axle left	2.000	ST			
37	7.311-570.0	Square nut M8 -05-A2E DIN 557	4.000	ST			
38	7.306-230.0	Screw M8x25 -A4-70 (In6Rd)	2.000	ST			
39	7.306-148.0	Screw M8x60 -8.8-R3R (In6Rd)	2.000	ST			
40	7.312-045.0	Washer 6-200HV-P4E ISO 7089	2.000	ST			
41	7.312-090.0	Spring washer B8-FSt-A2E DIN 137	2.000	ST			
42	7.312-285.0	Washer 10 -200HV-A2E ISO7093-1	2.000	ST			
43	5.036-082.0	Holder-up handhold	2.000	ST			VERSION 2
44	6.273-039.0	Seal	2.000	ST			VERSION 2
45	7.303-105.0	Screw 5x25 -A2-70-bk (In6Rd)	4.000	ST			VERSION 2

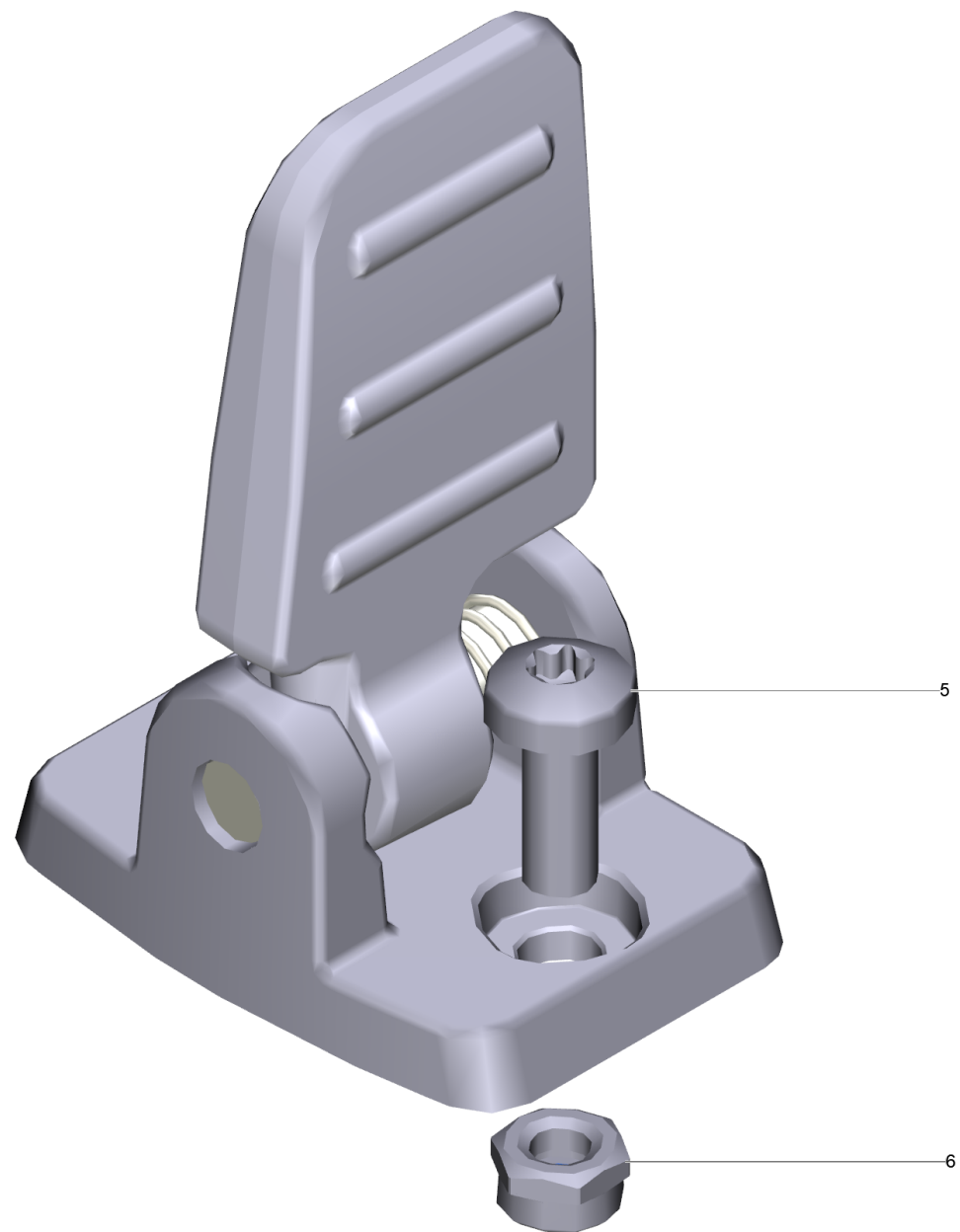




1 Tank basalt grey for replacement 65l (4.071-649.0)

---

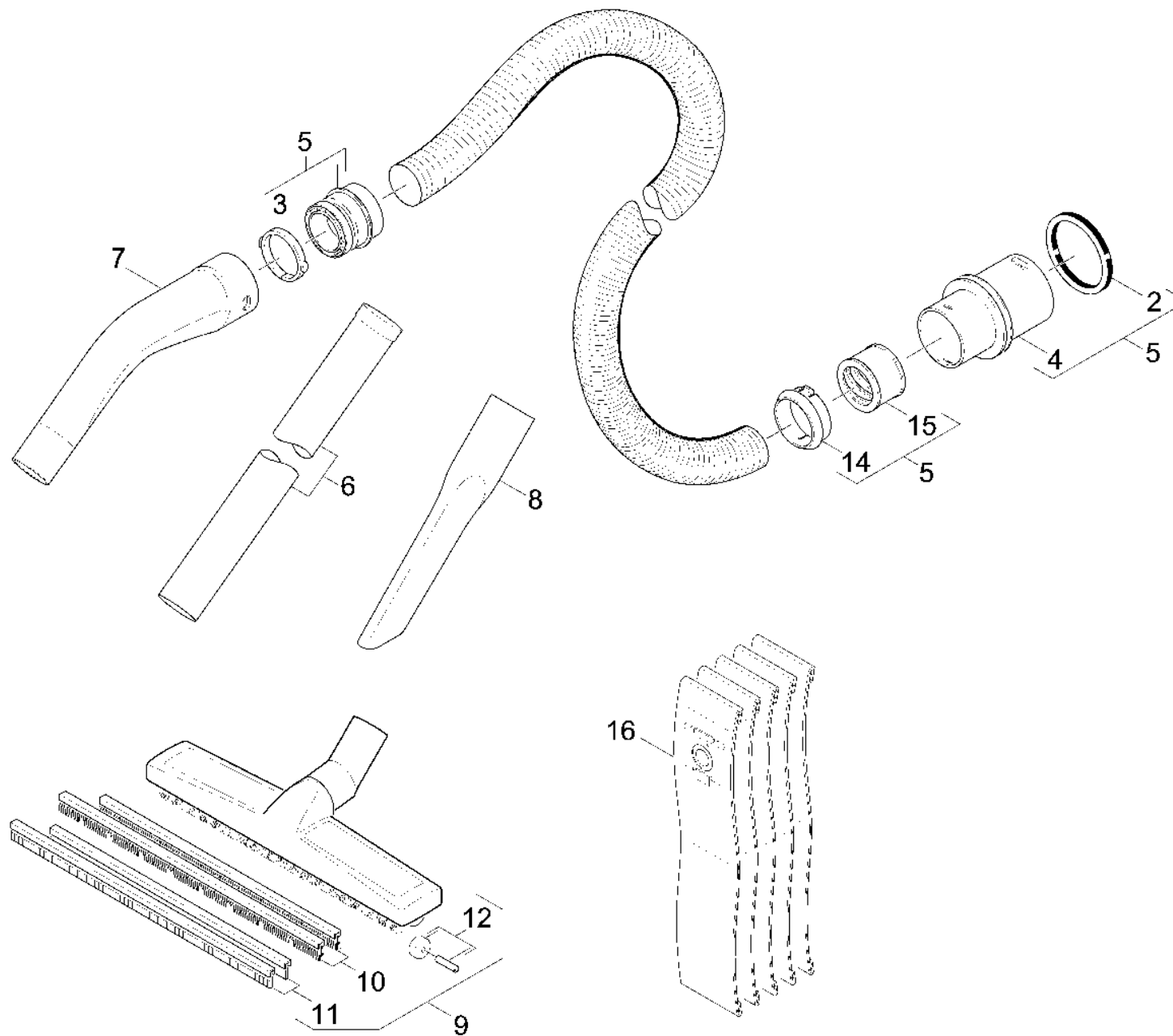
<b>POS</b>	<b>Article no.</b>	<b>Description</b>	<b>Quantity</b>	<b>Unit</b>
2	5.034-098.0	Suction nipple electrically conducting O	1.000	ST
3	5.317-099.0	Bolt electrically conducting	1.000	ST



15 Locking part kpl. (4.251-053.0)

---

<b>POS</b>	<b>Article no.</b>	<b>Description</b>	<b>Quantity</b>	<b>Unit</b>
5	7.306-193.0	Screw M6x16 -A2-70 (In6Rd)	2.000	ST
6	7.311-425.0	Hexagon nut M6 -04-A2E DIN 985	2.000	ST



## 50 Accessories

POS	Article no.	Description	Quantity	Unit
2	6.273-009.0	Joint ring EPDM	1.000	ST
3	5.031-905.0	Tension ring C40	1.000	ST
4	5.443-477.0	Hosebarb DN40	1.000	ST
5	6.906-321.0	Suction hose C40 4m	1.000	ST
6	6.900-275.0	Suction tube DN40-0,55m	2.000	ST
7	5.031-904.0	Elbow	1.000	ST
8	5.130-655.0	Crevice nozzle DN 40 300mm 1:50	1.000	ST
9	6.907-408.0	Floor tool packaged basalt grey DN40	1.000	ST
10	6.905-878.0	Brush strips set only for replacement	1.000	ST
11	6.905-877.0	Rubber lip set only for replacement	1.000	ST
12	4.515-342.0	Roller complete with axle	2.000	ST
14	6.902-068.0	Snap-in ring	1.000	ST
15	6.902-069.0	Threaded ring	1.000	ST
16	6.904-285.0	Filter bags 5St. -NT 65/2 ECO	1.000	ST

9 Floor tool packaged basalt grey DN40 (6.907-408.0)

---

<b>POS</b>	<b>Article no.</b>	<b>Description</b>	<b>Quantity</b>	<b>Unit</b>
10	4.515-342.0	Roller complete with axle	1.000	ST
20	6.905-877.0	Rubber lip set only for replacement	1.000	ST
30	6.905-878.0	Brush strips set only for replacement	1.000	ST

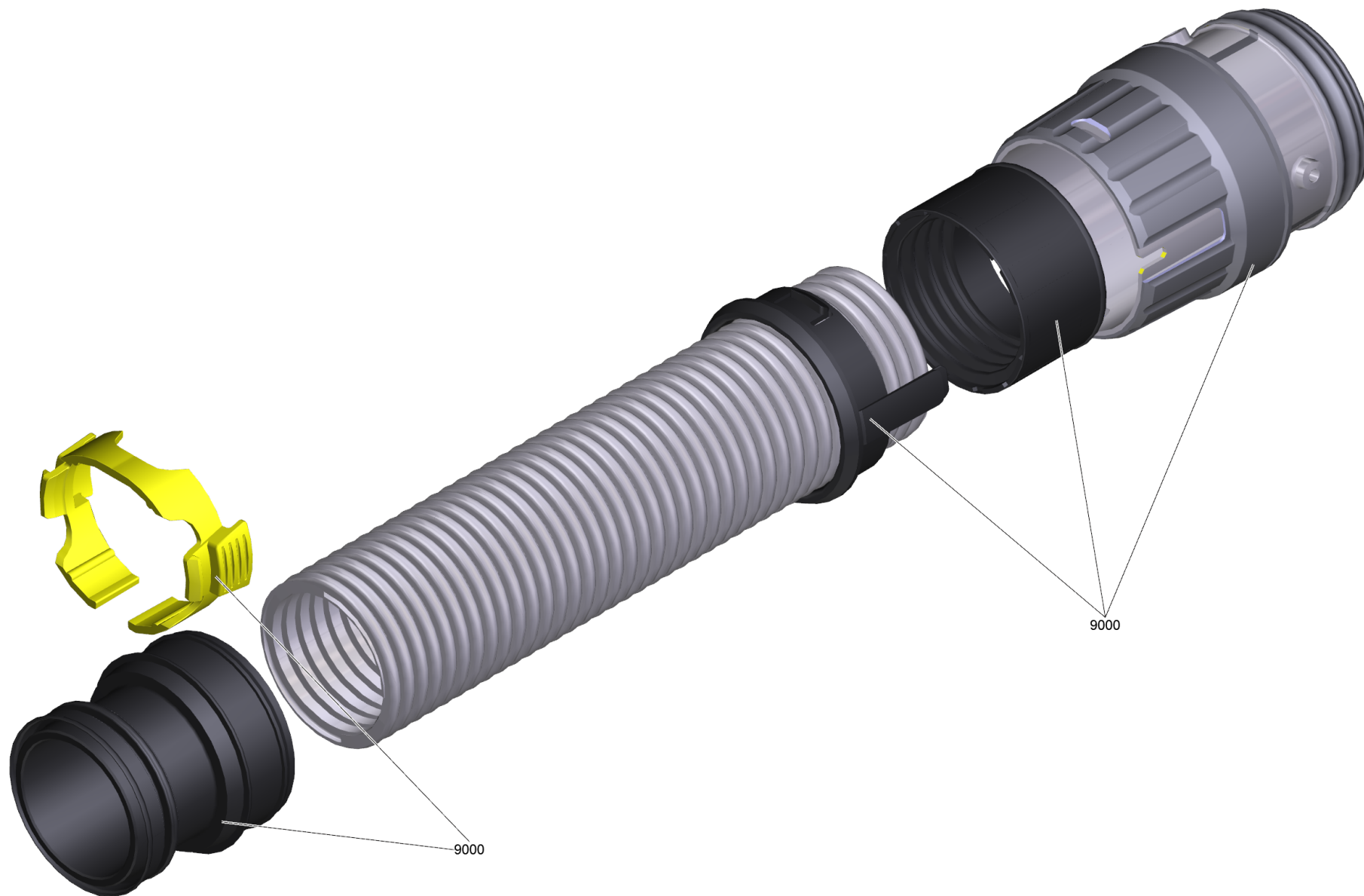


## 50 Accessories

---

<b>POS</b>	<b>Article no.</b>	<b>Description</b>	<b>Quantity</b>	<b>Unit</b>
901	2.889-141.0	Hose electrically conducting packaged NW	1.000	ST
902	2.889-153.0	Floor tool packaged NW40 360mm	1.000	ST
903	6.904-285.0	Filter bags 5St. -NT 65/2 ECO	1.000	ST
904	2.889-172.0	Elbow electrically conducting NW40 1K	1.000	ST
905	2.889-194.0	Set suction tube stainless steel NW40 55	1.000	ST
906	5.130-655.0	Crevice nozzle DN 40 300mm 1:50	1.000	ST





901 Hose electrically conducting packaged NW (2.889-141.0)

---

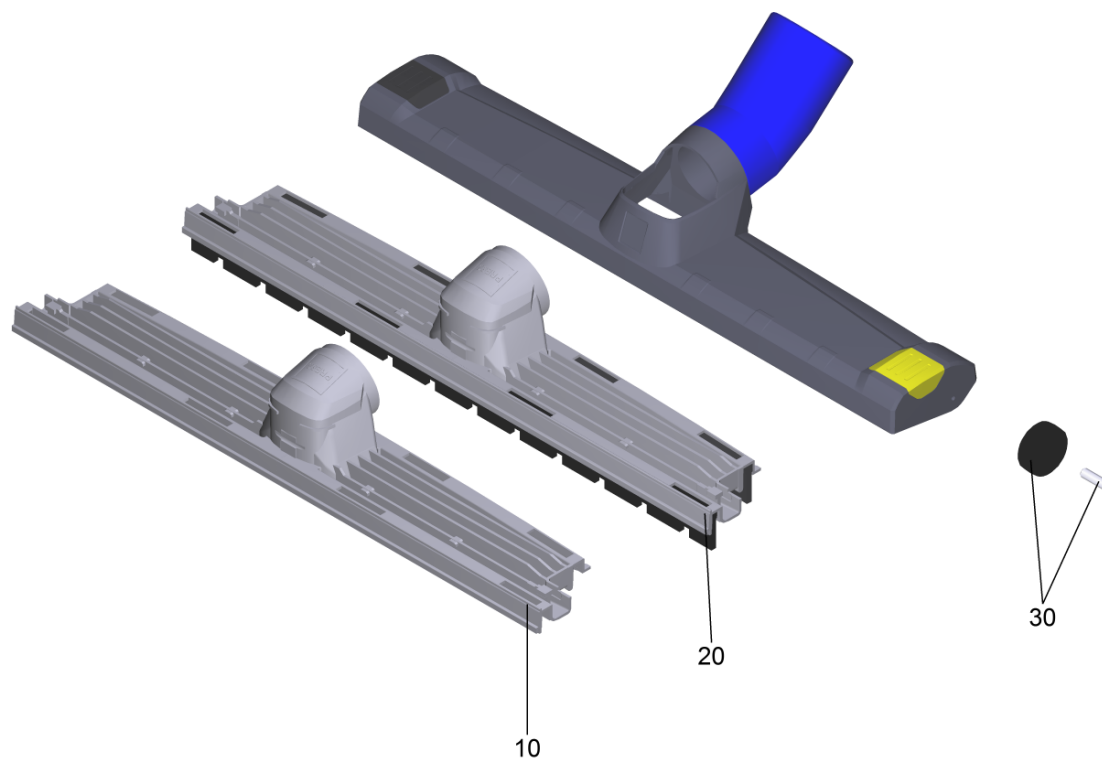
<b>POS</b>	<b>Article no.</b>	<b>Description</b>	<b>Quantity</b>	<b>Unit</b>
9000	2.889-150.0	Repair set NW40	1.000	ST



9000 Repair set NW40 (2.889-150.0)

---

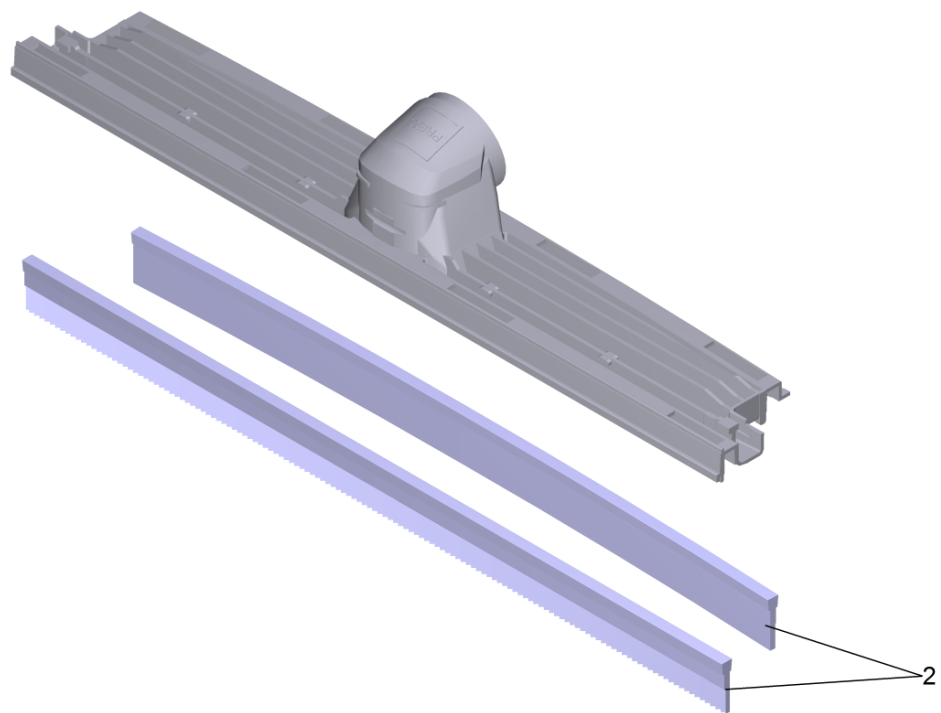
<b>POS</b>	<b>Article no.</b>	<b>Description</b>	<b>Quantity</b>	<b>Unit</b>
3	5.406-006.0	Threaded ring electrically conducting NW	1.000	ST
5	5.031-213.0	Tension ring NW40	1.000	ST



902 Floor tool packaged NW40 360mm (2.889-153.0)

---

<b>POS</b>	<b>Article no.</b>	<b>Description</b>	<b>Quantity</b>	<b>Unit</b>
10	4.862-020.0	Assembly group holder rubber lips	1.000	ST
20	4.862-017.0	Assembly group holder brush strips	1.000	ST
30	4.515-342.0	Roller complete with axle	1.000	ST

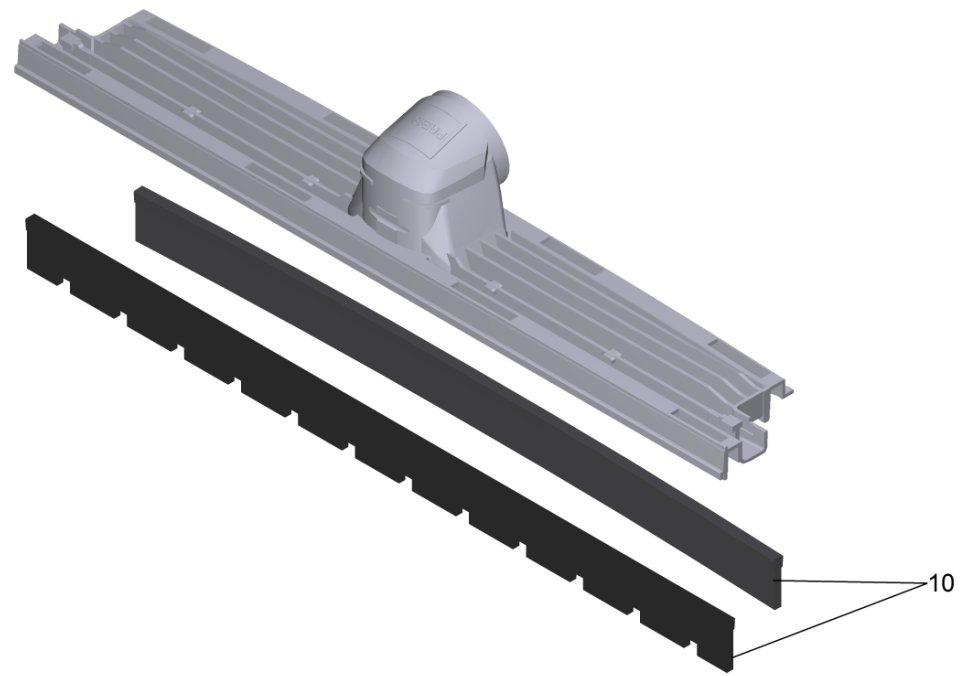


10 Assembly group holder rubber lips (4.862-020.0)

---

<b>POS</b>	<b>Article no.</b>	<b>Description</b>	<b>Quantity</b>	<b>Unit</b>
2	4.071-607.0	Spare parts set rubber lips packaged	1.000	ST

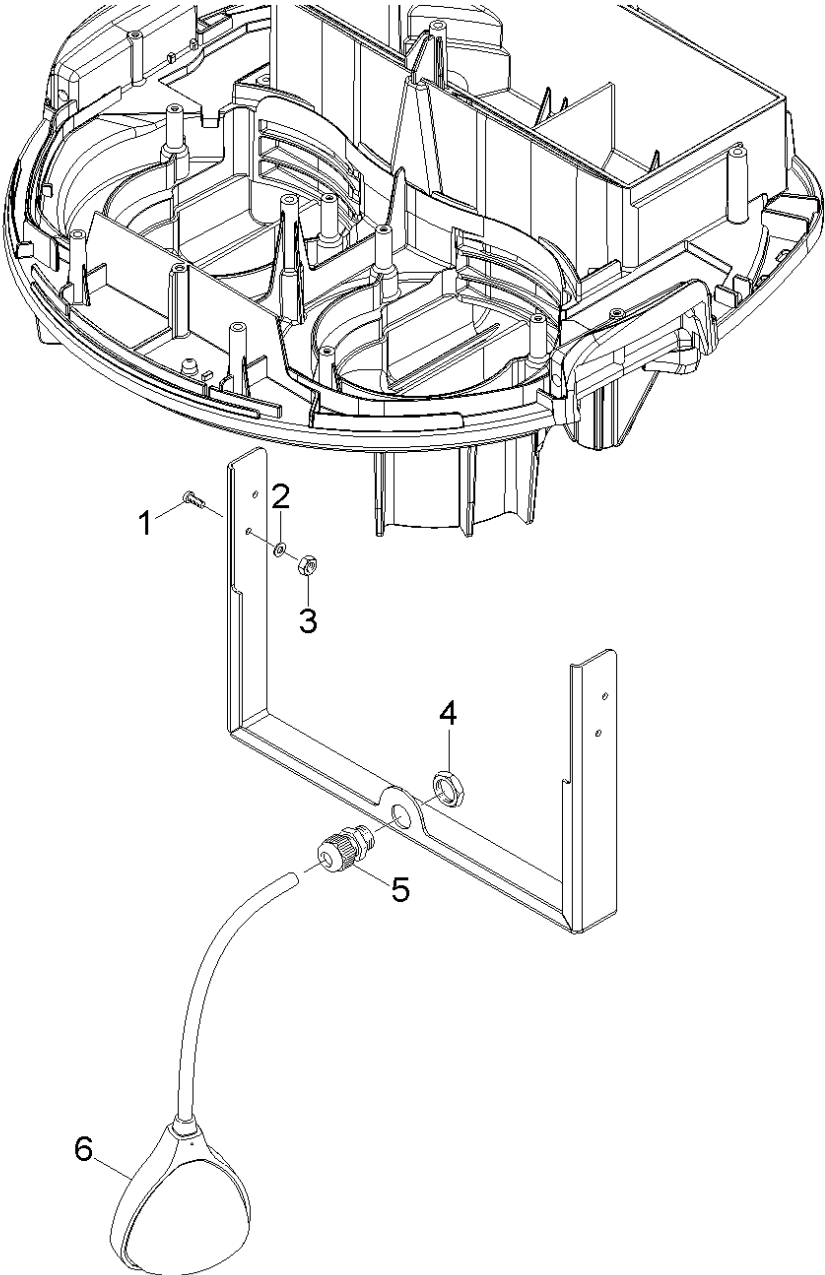




20 Assembly group holder brush strips (4.862-017.0)

---

<b>POS</b>	<b>Article no.</b>	<b>Description</b>	<b>Quantity</b>	<b>Unit</b>
10	4.071-606.0	Spare parts set brush strip packaged	1.000	ST



## 60 Add-on kit nonconducting media

---

<b>POS</b>	<b>Article no.</b>	<b>Description</b>	<b>Quantity</b>	<b>Unit</b>
1	7.306-208.0	Screw M 4x16-A2-70 (IN6RD)	4.000	ST
2	7.312-067.0	Washer 4-A2 ISO 7089	4.000	ST
3	7.311-516.0	Hexagon nut M 4-A2-70 DIN 985	4.000	ST
4	6.648-415.0	Locknut black M16	1.000	ST
5	6.648-399.0	Cable gland black M16x1,5	1.000	ST
6	4.645-379.0	Float regulator complete	1.000	ST