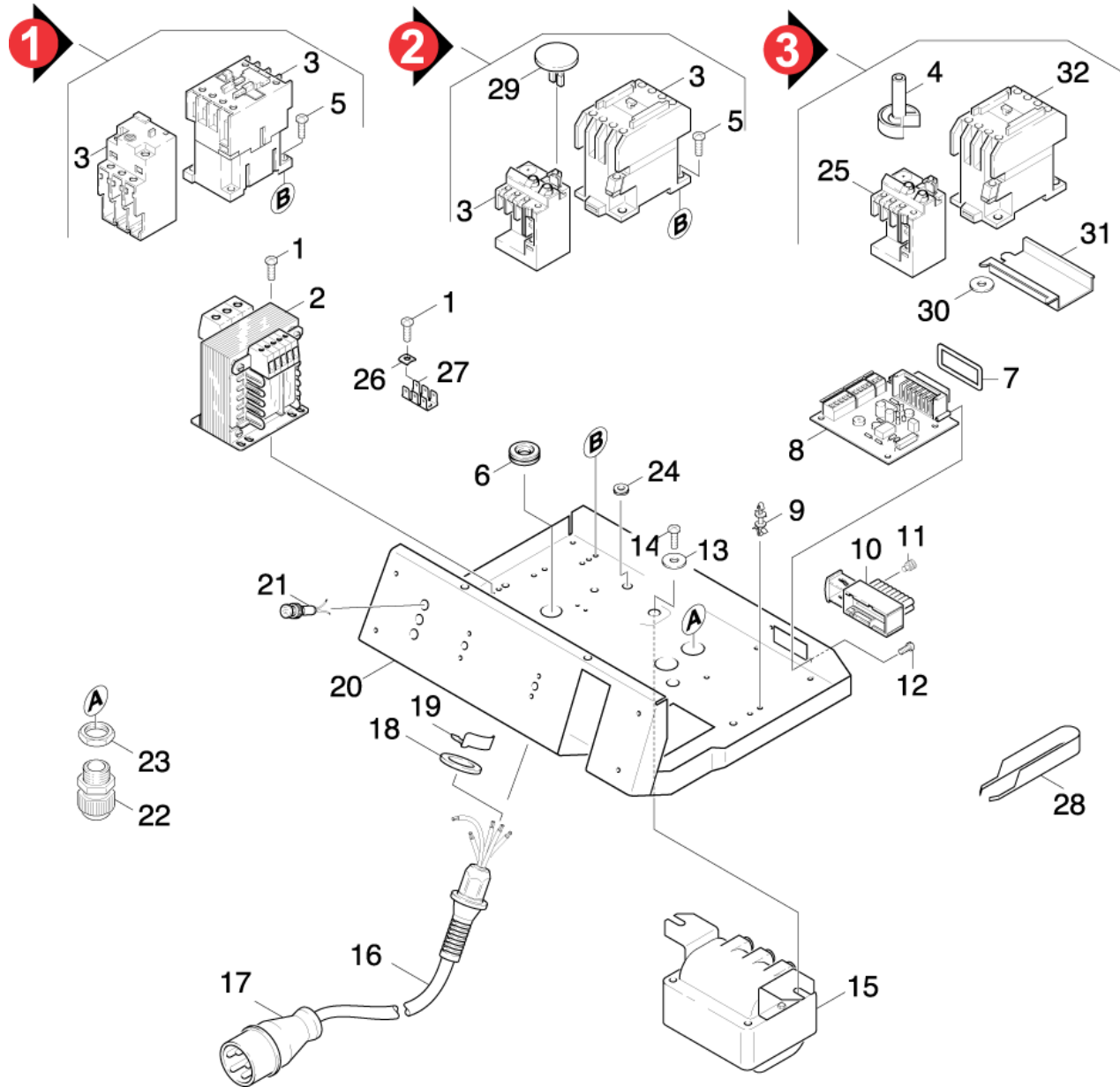


62 Bottom part

Overview technical documents/Professional/High pressure cleaner hotwater/Self-service appliances/SB-HDS 695 *EU (1.025-901.0)/Spare parts list SB-HDS 695/60 Electric control box/62 Bottom part



62 Bottom part

Overview technical documents/Professional/High pressure cleaner hotwater/Self-service appliances/SB-HDS 695 *EU (1.025-901.0)/Spare parts list SB-HDS 695/60 Electric control box/62 Bottom part

Rez.daļas/nodil.pakļ.daļas	Poz.	Materiāla Nr.	Nosaukums	Daudzums	Pārdoš. vienība	no sēr. Nr..	līdz sēr. Nr.	Daž. informācija
	1	7.303-030.0	Screw M4x8 -St-P2R (In6Rd)	2.000	ST	0000000000	0000000000	
	2	6.622-079.0	Control transformer 40VA	1.000	ST	0000000000	0000000000	
	3	2.884-301.0	Conversion kit contactor	1.000	ST	0000000000	0000000000	
	4	5.032-661.0	Moulded part	1.000	ST	0000000000	0000000000	
	5	7.303-033.0	Screw M4x16-ST-A2R (KOMBI-IN6RD)	2.000	ST	0000000000	0000000000	
	6	5.365-158.0	Profile gasket	1.000	ST	0000000000	0000000000	
	7	5.364-158.0	Flat gasket	1.000	ST	0000000000	0000000000	
	8	6.633-302.0	Pulse generator	1.000	ST	0000000000	0000000000	
	9	6.646-269.0	Distance pin	2.000	ST	0000000000	0000000000	
	10	6.646-254.0	Plug housing	1.000	ST	0000000000	0000000000	
	11	6.646-256.0	Blind plug	1.000	ST	0000000000	0000000000	
	12	7.303-061.0	Screw ST2,9x9,5 -St-R2R (In6Rd)	2.000	ST	0000000000	0000000000	
	13	7.312-260.0	washer	1.000	ST	0000000000	0000000000	
	14	7.303-036.0	Skrūve M5x8 -St-A2R (In6Rd)	1.000	ST	0000000000	0000000000	
	15	2.883-468.0	Spare parts set ignition transformer	1.000	ST	0000000000	0000000000	
	16	6.647-250.0	cabl with rubber bushing	1.000	ST	0000000000	0000000000	
	17	6.646-030.0	Spraudnis CEE 16A	1.000	ST	0000000000	0000000000	
X-X	18	5.115-255.0	Paplāksne	1.000	ST	0000000000	0000000000	
	19	6.343-170.0	Retaining clip	1.000	ST	0000000000	0000000000	
	20	5.046-627.0	Sheet metal component	1.000	ST	0000000000	0000000000	
	21	6.651-234.0	Pilot lamp red	3.000	ST	0000000000	0000000000	
	22	6.641-357.0	Cable gland PG11	2.000	ST	0000000000	0000000000	
	23	6.641-367.0	Locknut PG11	2.000	ST	0000000000	0000000000	
	24	6.641-422.0	Wire protecting sleeve	1.000	ST	0000000000	0000000000	
	25	6.633-476.0	Overload relay 7-10 A	1.000	ST	0000000000	0000000000	

62 Bottom part

Overview technical documents/Professional/High pressure cleaner hotwater/Self-service appliances/SB-HDS 695 *EU (1.025-901.0)/Spare parts list SB-HDS 695/60 Electric control box/62 Bottom part

Rez.daļas/nodil.pakļ.daļas	Poz.	Materiāla Nr.	Nosaukums	Daudzums	Pārdoš. vienība	no sēr. Nr..	līdz sēr. Nr.	Daž. informācija
	26	6.641-804.0	Clamping washer 4	1.000	ST	0000000000	0000000000	
	27	6.641-270.0	Plug	1.000	ST	0000000000	0000000000	
	28	5.901-134.0	Extraction tool AMP	1.000	ST	0000000000	0000000000	
	29	5.326-010.0	Button	1.000	ST	0000000000	0000000000	VERSION 2
	30	7.312-282.0	Paplāksne 5 -A2 ISO 7093-1	1.000	ST	0000000000	0000000000	
	31	5.802-300.0	Mounting part	1.000	ST	0000000000	0000000000	
	32	6.632-356.0	Kontaktors LC1-D18 B7	1.000	ST	0000000000	0000000000	