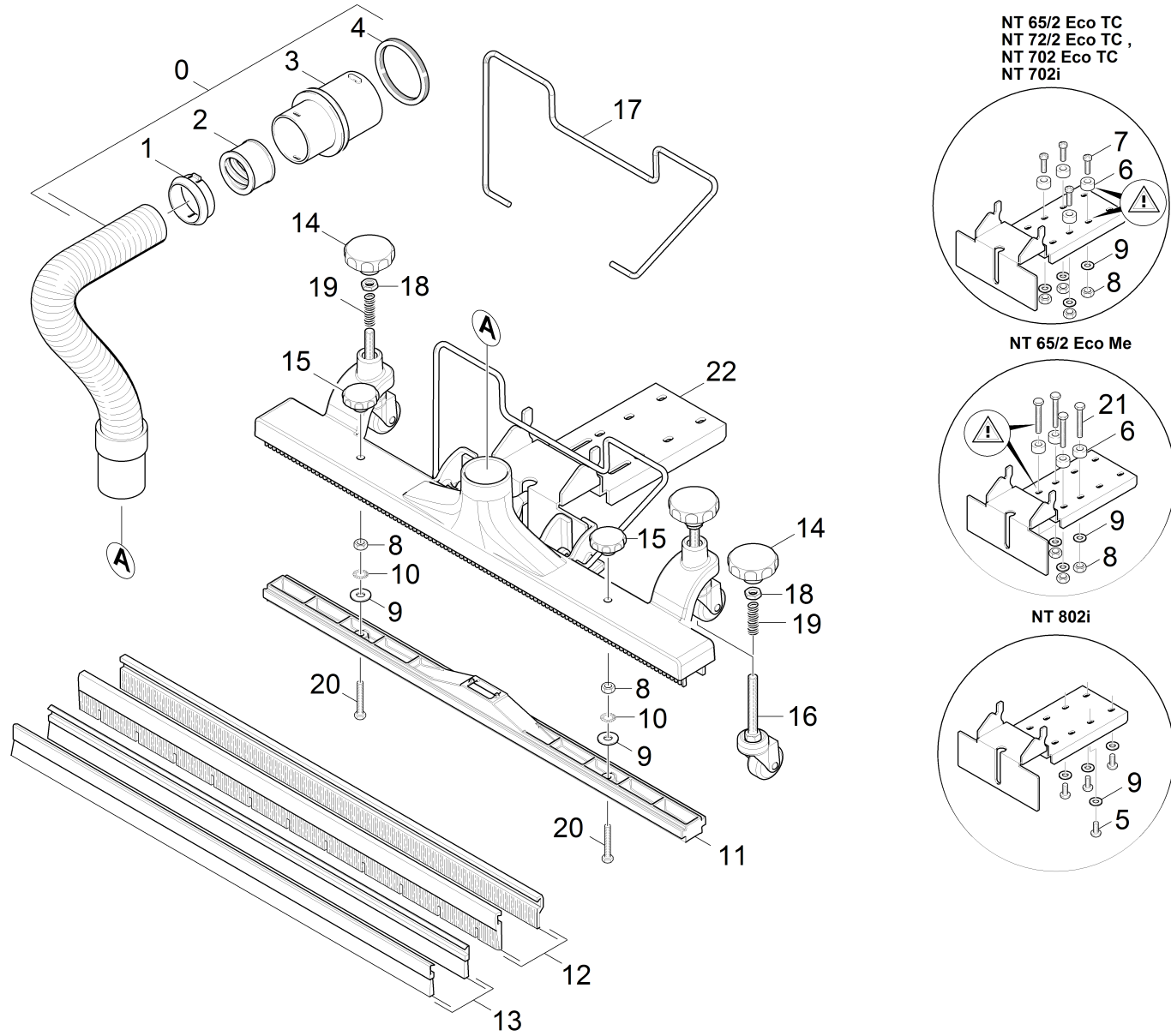


10 Add-on kit lane nozzle

Overview technical documents/Professional/Vacuum cleaner/Accessories/Nozzle (4.130-400.0)/Spare parts list lane nozzle/10 Add-on kit lane nozzle



10 Add-on kit lane nozzle

Overview technical documents/Professional/Vacuum cleaner/Accessories/Nozzle (4.130-400.0)/Spare parts list lane nozzle/10 Add-on kit lane nozzle

Rez.daļas/nodil.pakļ.daļas	Poz.	Materiāla Nr.	Nosaukums	Daudzums	Pārdoš. vienība	no sēr. Nr..	līdz sēr. Nr.
X	0	4.440-780.0	Hose complete	1.000	ST	0000000000	0000000000
	1	6.902-068.0	Snap-in ring	1.000	ST	0000000000	0000000000
	2	6.902-069.0	Threaded ring	1.000	ST	0000000000	0000000000
X-X	3	5.443-477.0	Šļūtenes uzgalis DN40	1.000	ST	0000000000	0000000000
X	4	6.273-009.0	Joint ring EPDM	1.000	ST	0000000000	0000000000
	5	7.306-194.0	Screw	4.000	ST	0000000000	0000000000
	6	5.111-007.0	Sleeve	4.000	ST	0000000000	0000000000
	7	7.306-198.0	Screw M 6x40-A2-70 (IN6RD)	4.000	ST	0000000000	0000000000
	8	7.311-067.0	Hexagon nut M 6-A2-70 ISO 4032	6.000	ST	0000000000	0000000000
X-X	9	7.312-026.0	Washer 6-A2 ISO 7090	6.000	ST	0000000000	0000000000
	10	7.312-305.0	Spring washer B 6-FST-A2E DIN 137	2.000	ST	0000000000	0000000000
	11	5.130-400.0	Nozzle bottom part roadway	1.000	ST	0000000000	0000000000
X	12	6.906-750.0	Brush strips set	1.000	ST	0000000000	0000000000
	13	6.906-751.0	Rubber lip set	1.000	ST	0000000000	0000000000
	14	6.321-187.0	Star grip D55 M10	2.000	ST	0000000000	0000000000
	15	6.321-188.0	Star grip D40 M6	2.000	ST	0000000000	0000000000
X	16	6.435-724.0	Castor	2.000	ST	0000000000	0000000000
	17	5.034-741.0	Strap lane nozzle	1.000	ST	0000000000	0000000000
	18	7.311-204.0	Hexagon nut M10 -A4-035 ISO 4035	2.000	ST	0000000000	0000000000
	19	5.332-433.0	Helical spring	2.000	ST	0000000000	0000000000
	20	7.304-549.0	Hexagonal head screw M 6x30-A4-70 ISO 4	2.000	ST	0000000000	0000000000
	21	7.304-113.0	Hexagonal head screw M 6x60-A4-70 ISO 4	4.000	ST	0000000000	0000000000
	22	5.043-040.0	Holder sheet metal component	1.000	ST	0000000000	0000000000