

Spare parts list

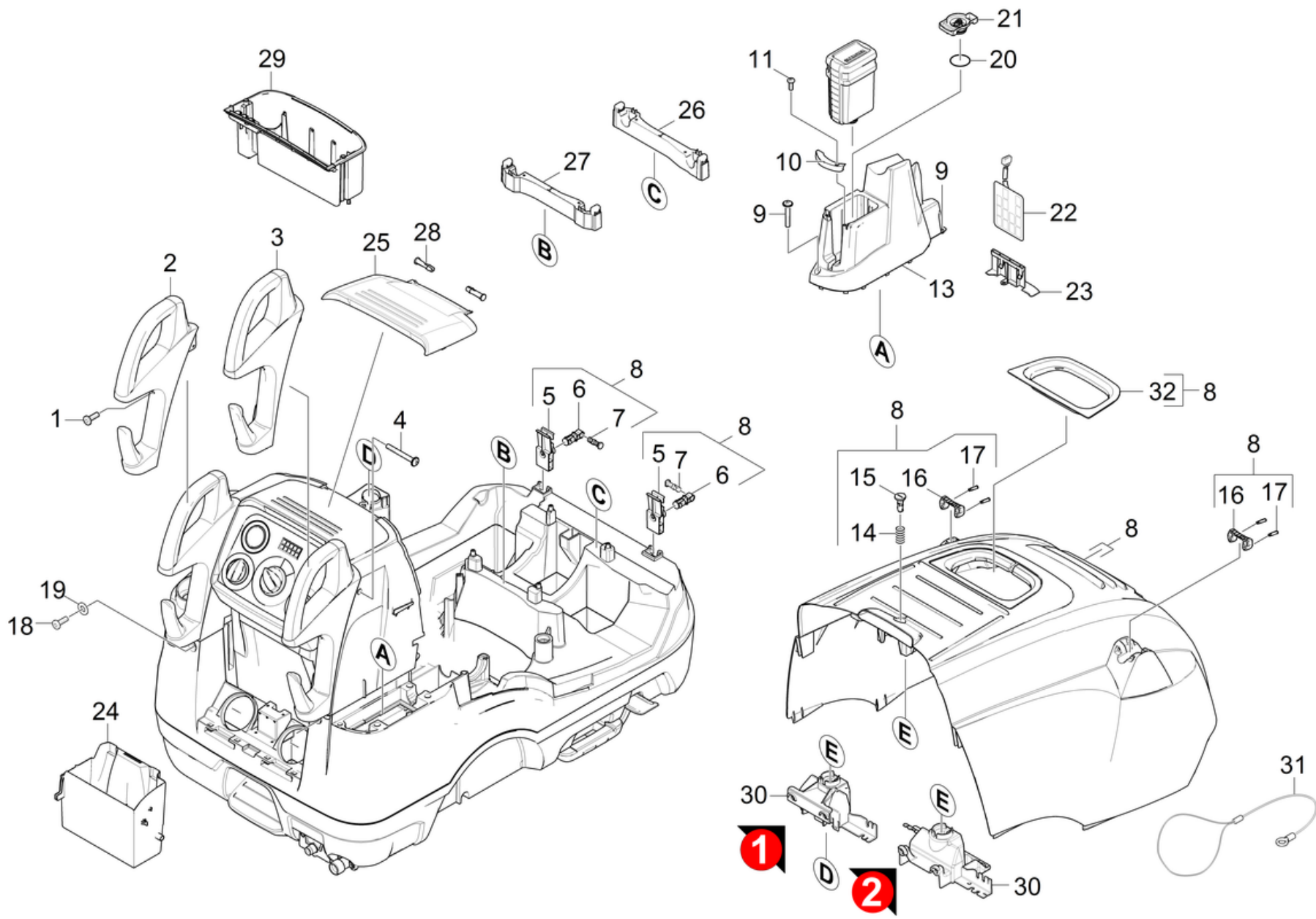
Housing

Table of contents

10 Housing	3
11 Housing	4
8 Device cover complete only for replaceme (4.066-426.0)	6
1 Device cover complete basalt grey RAL 70	7
30 Conversion kit holder small Kessel (2.882-691.0)	9
6 Spare parts list reversion kit holder kl (5.953-327.0)	10
10 Conversion kit holder boiler	11
12 Bottom part	13
26 Cover fuel complete (4.064-013.0)	16
13 Hose reel	18
14 Hose reel	20
20 Crank complete (4.481-263.0)	22

10 Housing

POS	Description	Quantity	Unit	Remark
12	Bottom part	1.000	ST	
14	Hose reel	1.000	ST	VERSION 2
13	Hose reel	1.000	ST	VERSION 1
11	Housing	1.000	ST	

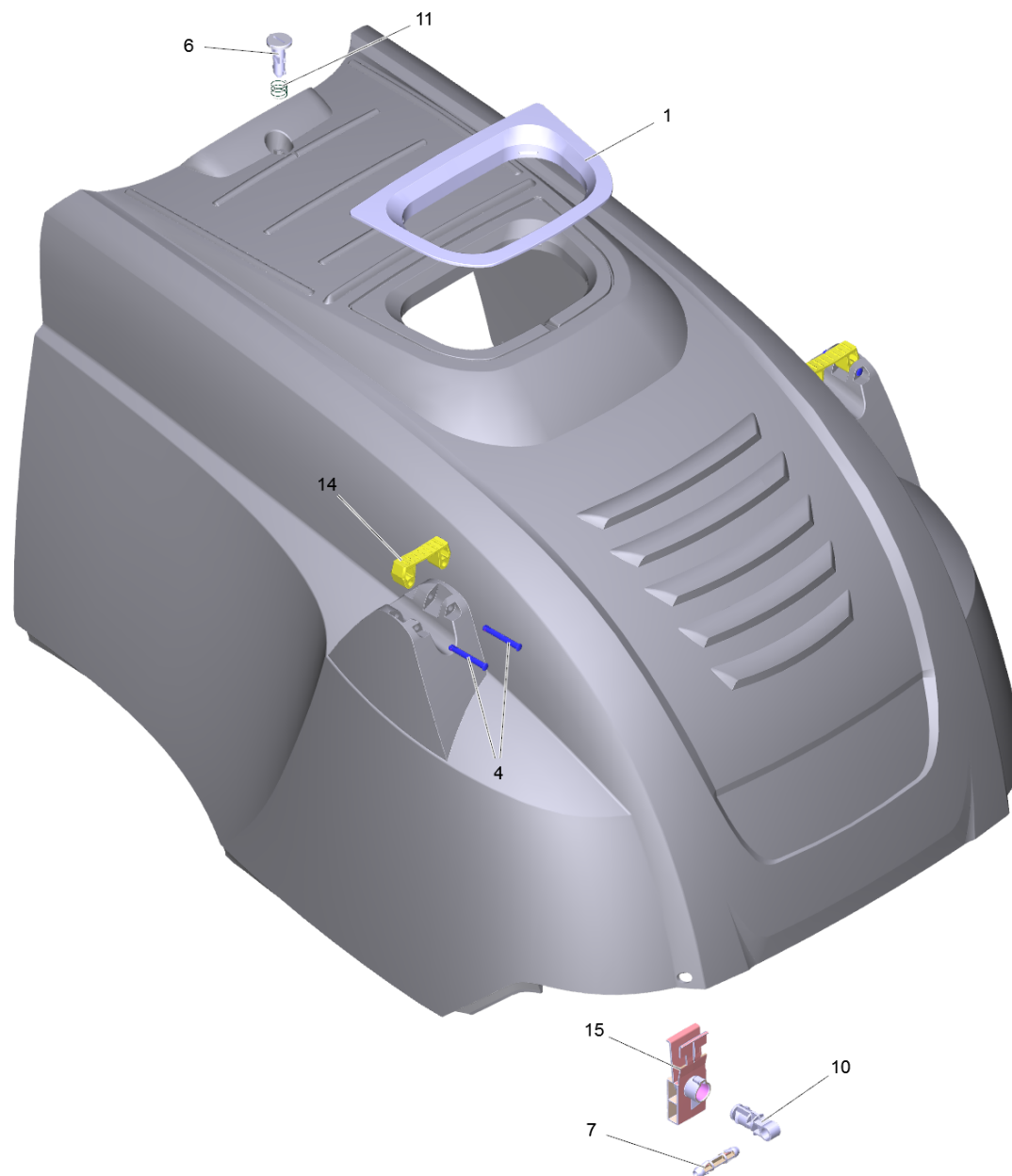


11 Housing

POS	Article no.	Description	Quantity	Unit	Remark
7	5.317-291.0	Bolt	2.000	ST	
15	5.316-318.0	Bolt	1.000	ST	
28	5.317-220.0	Bolt	2.000	ST	
6	5.317-228.0	Bolt hinge	2.000	ST	
22	2.885-055.0	Circuit board	1.000	ST	
30	5.412-015.0	Closure cover	1.000	ST	VERSION 1
21	5.425-495.0	CONNECTION PIECE DGT	1.000	ST	
30	2.882-691.0	Conversion kit holder small Kessel	1.000	ST	VERSION 2
13	5.033-344.0	Covering cap DGT	1.000	ST	
8	4.066-426.0	Device cover complete only for replaceme	1.000	ST	
16	5.424-139.0	Fixing jet pipe	2.000	ST	
25	5.033-113.0	Flap	1.000	ST	
24	5.033-155.0	Flap	1.000	ST	
	Item text1: 1.071-401.0 /-402.0 /-403.0				
14	5.332-236.0	Helical spring	1.000	ST	
5	5.501-070.0	Hinge cover	2.000	ST	
23	5.044-889.0	Holder circuit board	1.000	ST	
20	6.362-377.0	O-Ring seal 38,0 X 2,0-NBR 70	1.000	ST	
17	5.314-143.0	Pin fixing jet pipe	4.000	ST	
10	5.033-381.0	Profile	1.000	ST	
11	7.303-106.0	Screw 4x12 -10.9-R2R (IN6RD)	1.000	ST	
9	7.303-086.0	Screw 5x30 -10.9-R2R (K-In6Rd)	2.000	ST	
4	7.303-209.0	Screw 6x50 -10.9-R2R (K-In6Rd)	2.000	ST	
1	7.303-069.0	Screw M 8x25-ST-R3R (IN6RD)	2.000	ST	
18	6.303-497.0	Screw M8x35-8.8-A2E (IN6RD)	2.000	ST	
32	5.061-455.0	Sheet metal component	1.000	ST	
2	5.321-830.0	Sliding handle left	1.000	ST	
3	5.321-831.3	Sliding handle right	1.000	ST	
29	5.033-112.0	Storage compartment	1.000	ST	
26	5.190-249.0	Strip front	1.000	ST	
27	5.190-250.0	Strip rear	1.000	ST	
31	6.431-274.0	Tackle cover	1.000	ST	
19	7.312-277.0	Washer 8-200HV-A2E ISO7093-1	2.000	ST	

8 Device cover complete only for replaceme (4.066-426.0)

POS	Description	Quantity	Unit
1	Device cover complete basalt grey RAL 70	1.000	ST



1 Device cover complete basalt grey RAL 70

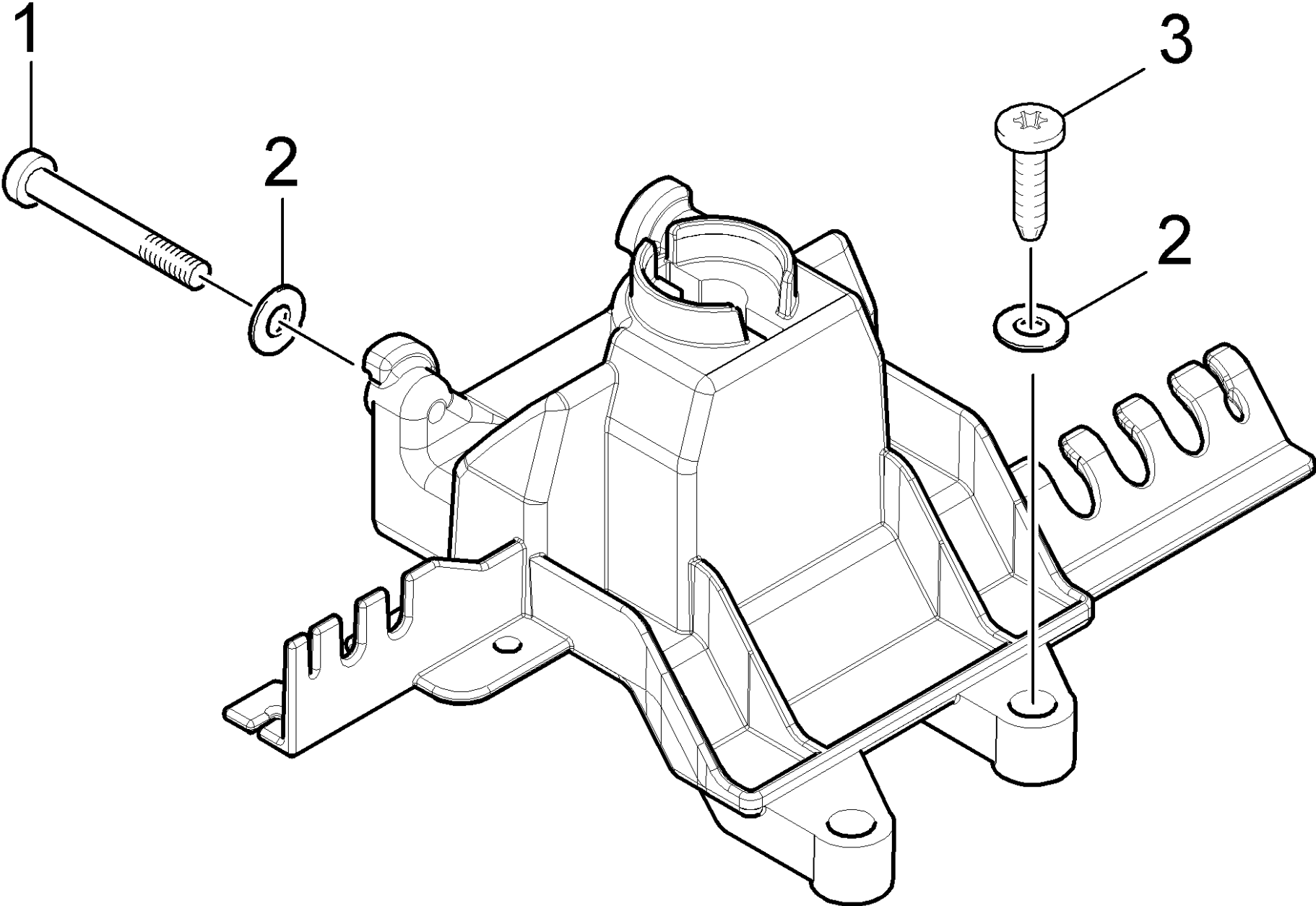
POS	Article no.	Description	Quantity	Unit
7	5.317-291.0	Bolt	2.000	ST
6	5.317-765.0	Bolt closure cover	1.000	ST
10	5.317-779.0	Bolt hinge black	2.000	ST
14	5.424-162.0	Fixing jet pipe	2.000	ST
11	5.332-236.0	Helical spring	1.000	ST
15	5.501-083.0	Hinge cover black	2.000	ST
4	5.314-143.0	Pin fixing jet pipe	4.000	ST
1	5.061-455.0	Sheet metal component	1.000	ST

30 Conversion kit holder small Kessel (2.882-691.0)

POS	Article no.	Description	Quantity	Unit
6	5.953-327.0	Spare parts list reversion kit holder kl	1.000	ST

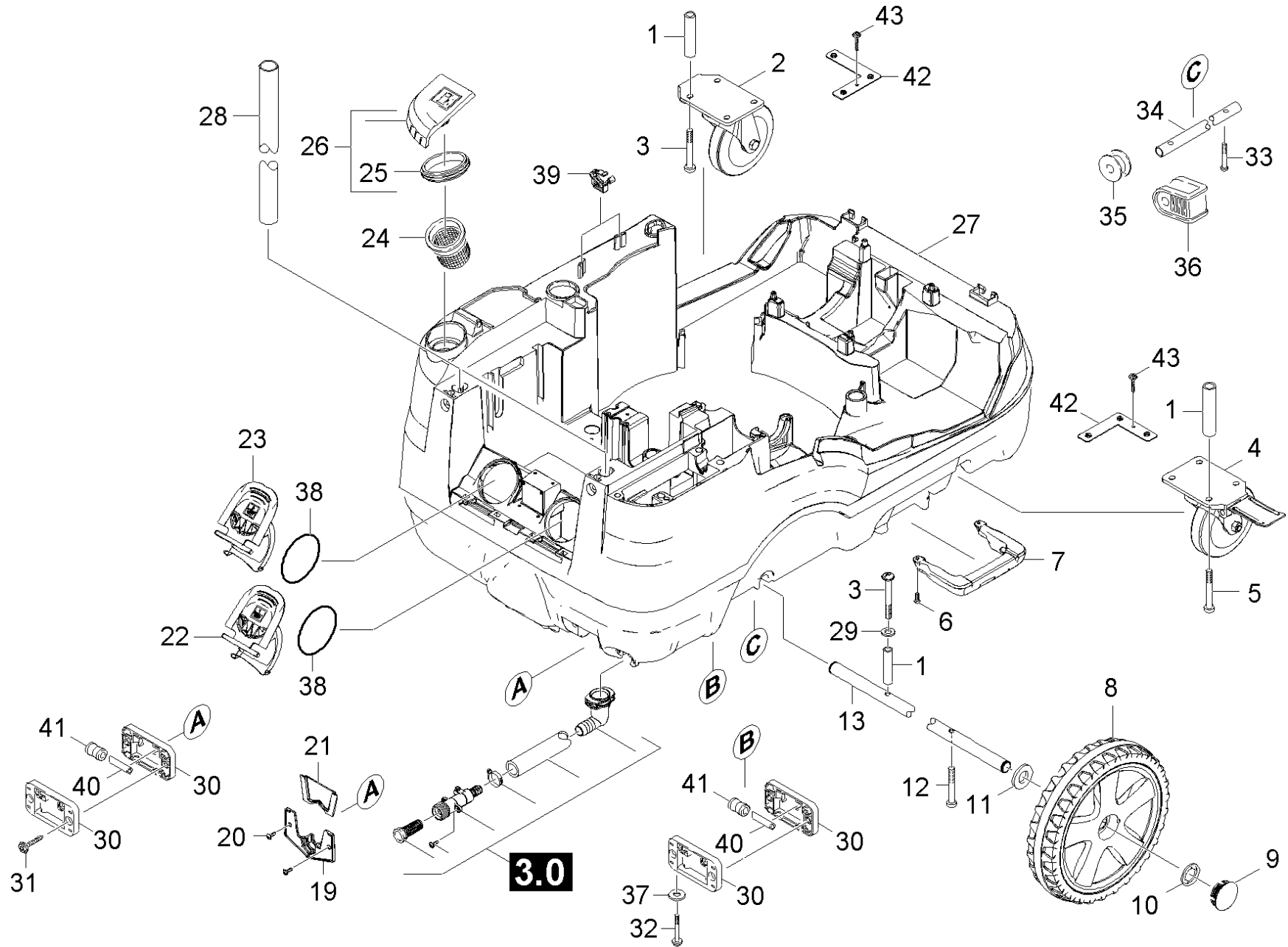
6 Spare parts list reversion kit holder kl (5.953-327.0)

POS	Description	Quantity	Unit
10	Conversion kit holder boiler	1.000	ST



10 Conversion kit holder boiler

POS	Article no.	Description	Quantity	Unit
1	7.303-111.0	Screw 5x50 -10.9-R2R (K-In6Rd)	2.000	ST
3	6.303-320.0	Screw M 5x 20-St-R2R	2.000	ST
2	7.312-278.0	Washer 5-200HV-A2E ISO7093-1	4.000	ST

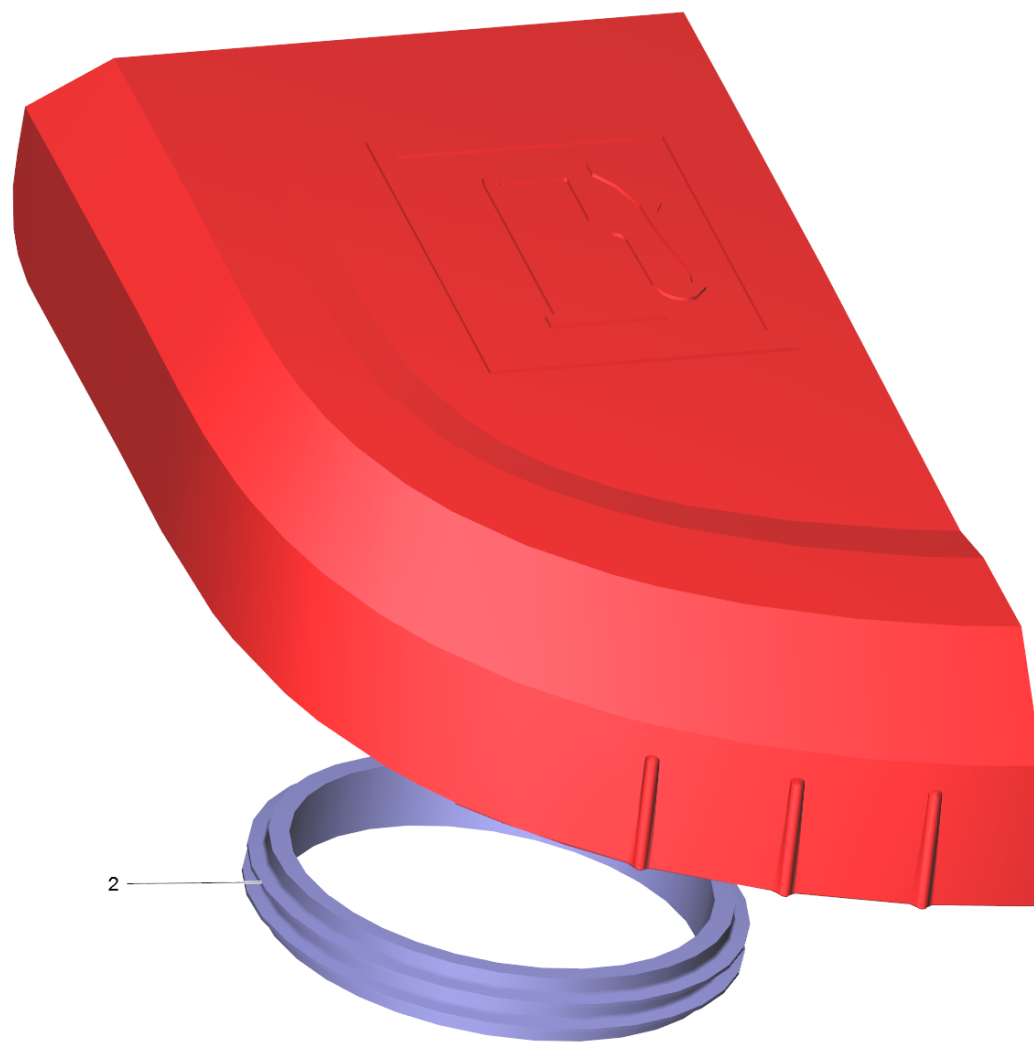


12 Bottom part

POS	Article no.	Description	Quantity	Unit
40	5.128-511.0	Axle	6.000	ST
34	5.033-524.0	Axle	2.000	ST
	Item text1: 1.071-451.0 /-452.0 /-455.0			
13	5.105-652.0	Axle	1.000	ST
4	6.435-747.0	Castor	1.000	ST
2	6.435-777.0	Castor D 160	1.000	ST
23	5.064-221.0	Cover chemistry 1	1.000	ST
22	5.064-231.0	Cover chemistry 2	1.000	ST
26	4.064-013.0	Cover fuel complete	1.000	ST
35	5.515-112.0	Deflection pulley	1.000	ST
	Item text1: 1.071-451.0 /-452.0 /-455.0			
24	5.731-039.0	Filter	1.000	ST
7	5.424-136.0	Fixing	2.000	ST
42	5.424-137.0	Fixing castor	2.000	ST
27	4.051-109.0	Frame neue M-Klasse Ersatz	1.000	ST
39	5.802-306.0	Holder cable	2.000	ST
30	5.044-646.0	Holder roller front	4.000	ST
	Item text1: 1.071-451.0 /-452.0 /-455.0			
25	5.363-300.0	Joint ring	1.000	ST
10	6.343-162.0	Lock washer -25	2.000	ST
38	6.363-443.0	O-Ring seal 75x5	2.000	ST
41	5.515-191.0	Roller	6.000	ST
43	7.303-107.0	Screw 5x16 -10.9-P2R (K-In6Rd)	2.000	ST
33	7.303-086.0	Screw 5x30 -10.9-R2R (K-In6Rd)	2.000	ST
	Item text1: 1.071-451.0 /-452.0 /-455.0			
20	7.303-086.0	Screw 5x30 -10.9-R2R (K-In6Rd)	2.000	ST
	Item text1: 1.071-401.0 /-402.0 /-403.0			
31	7.303-118.0	Screw 5x40 -A2-70 (IN6Rd)	2.000	ST
	Item text1: 1.071-451.0 /-452.0 /-455.0			
32	7.303-171.0	Screw 5x80 -10.9-R2R (K-In6Rd)	2.000	ST
	Item text1: 1.071-451.0 /-452.0 /-455.0			
6	7.303-046.0	Screw M6x12 -St-R3R (In6Rd)	4.000	ST
12	7.303-236.0	Screw M 8x60-St-A3E (IN6RD)	1.000	ST

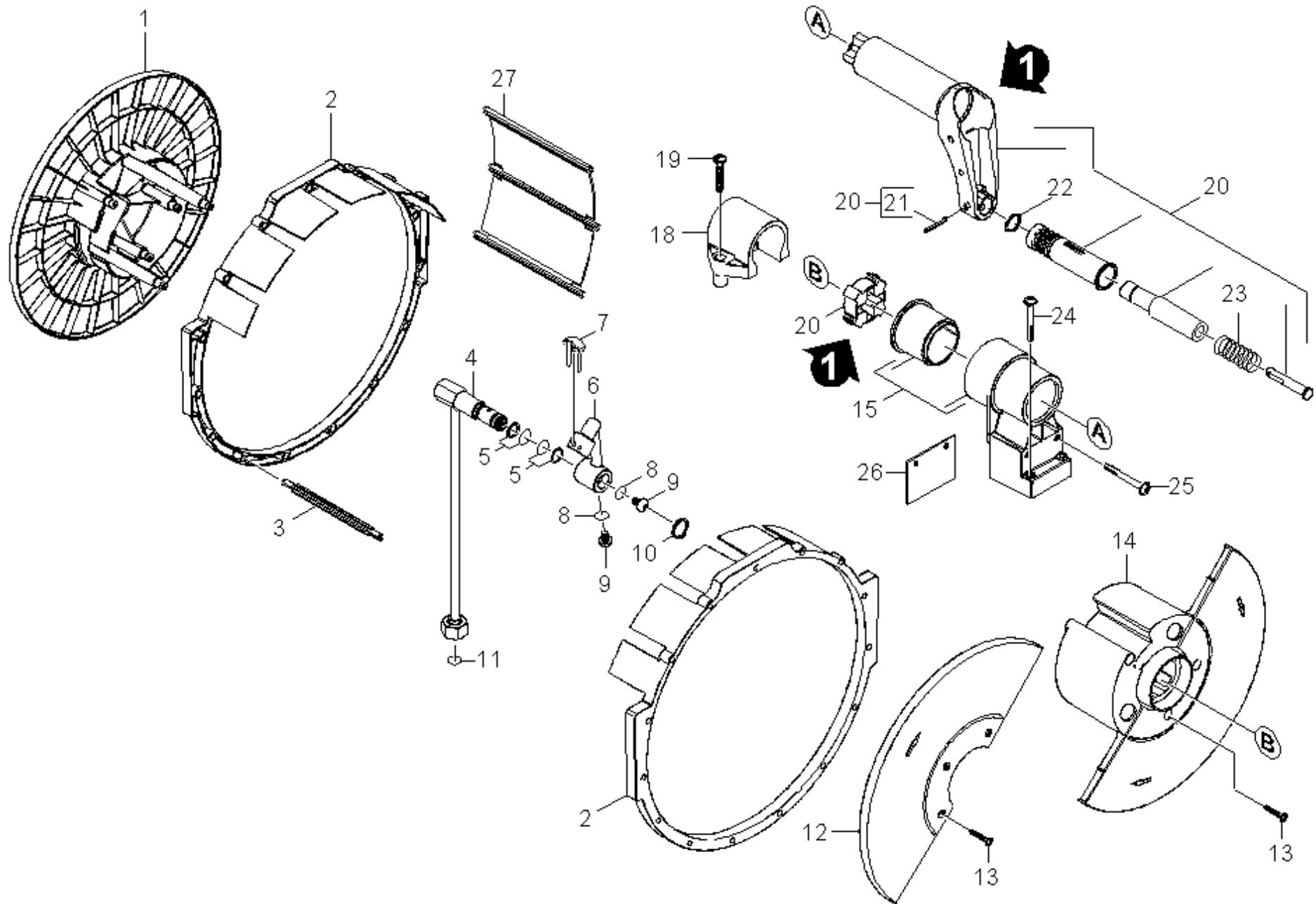
12 Bottom part

POS	Article no.	Description	Quantity	Unit
3	7.303-236.0	Screw M 8x60-St-A3E (IN6RD)	4.000	ST
5	7.303-237.0	Screw M 8x70-St-A3K (IN6RD)	3.000	ST
36	5.033-415.0	Slider	1.000	ST
	Item text1: 1.071-451.0 /-452.0 /-455.0			
1	5.111-065.0	Spacer sleeve	7.000	ST
21	5.263-088.0	Tensioning part	1.000	ST
	Item text1: 1.071-401.0 /-402.0 /-403.0			
19	5.263-087.0	Tensioning part	1.000	ST
	Item text1: 1.071-401.0 /-402.0 /-403.0			
28	5.027-292.0	Tube handhold	2.000	ST
37	7.312-278.0	Washer 5-200HV-A2E ISO7093-1	2.000	ST
29	7.312-277.0	Washer 8-200HV-A2E ISO7093-1	1.000	ST
11	7.312-060.0	Washer 24-100HV-A3E ISO 7091	2.000	ST
9	5.392-038.0	Wheel cap	2.000	ST
8	4.515-263.0	Wheel complete	2.000	ST



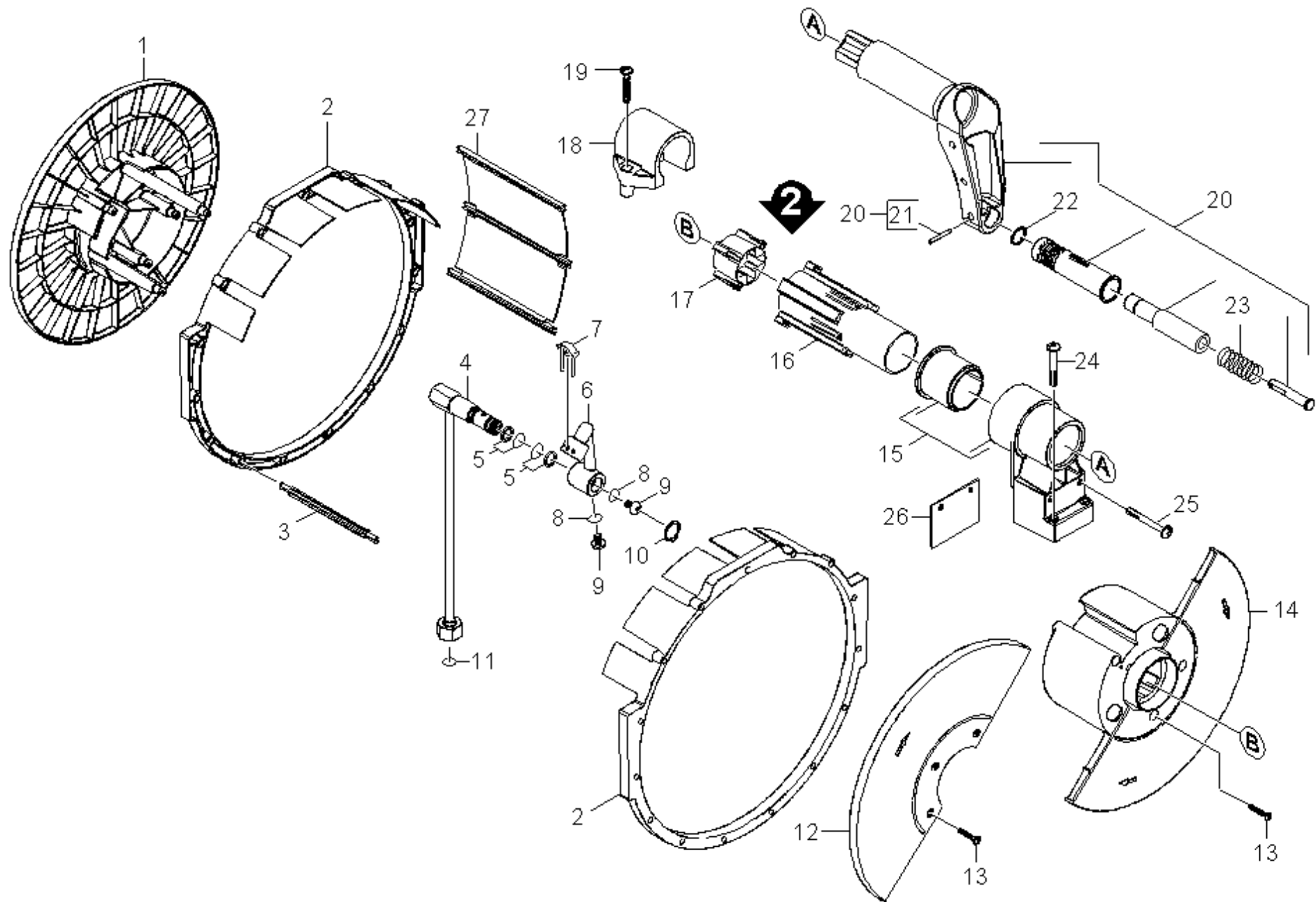
26 Cover fuel complete (4.064-013.0)

POS	Article no.	Description	Quantity	Unit
2	5.363-300.0	Joint ring	1.000	ST



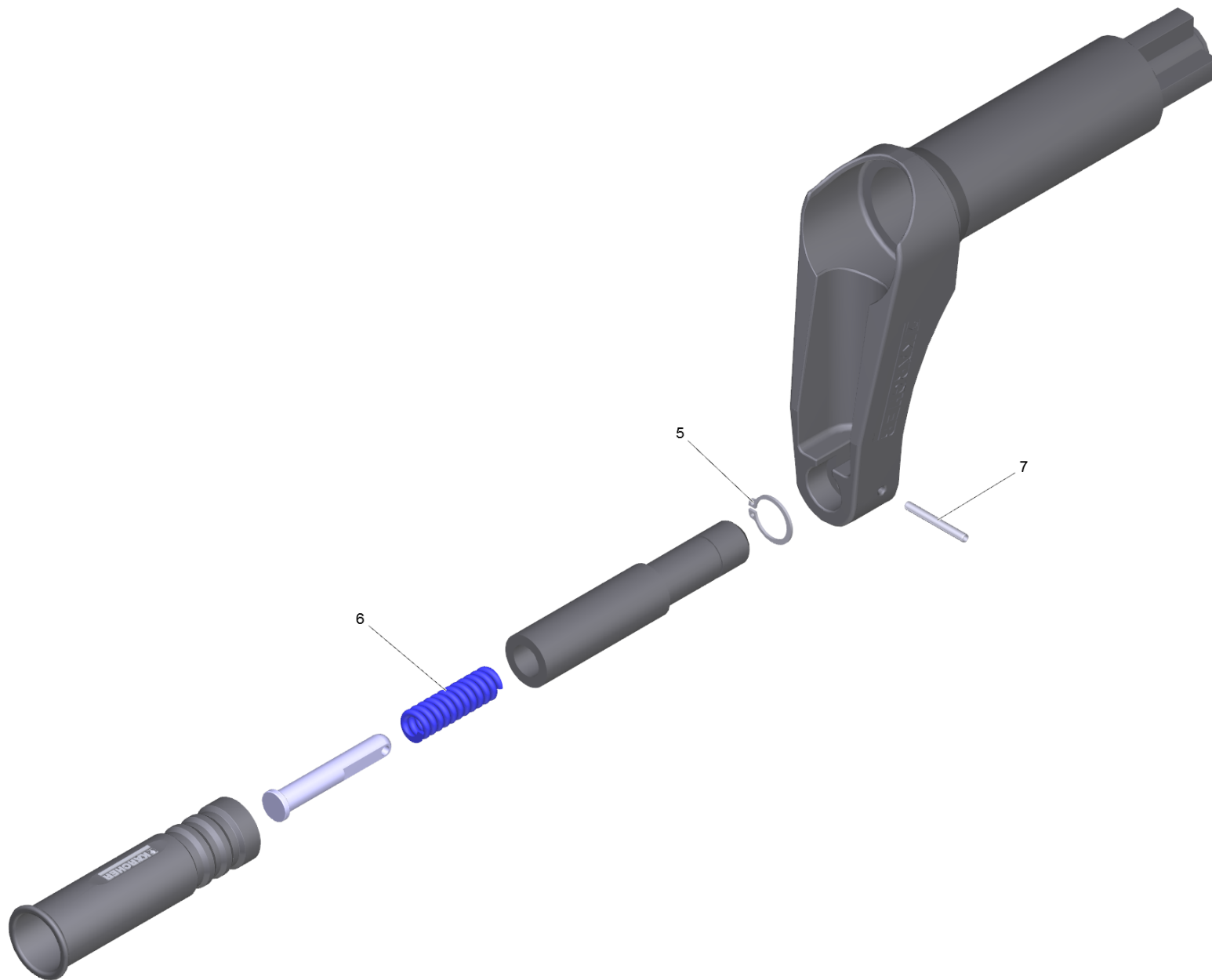
13 Hose reel

POS	Article no.	Description	Quantity	Unit
18	5.251-060.0	Bearing support bottom part	1.000	ST
15	4.251-051.0	Bearing support completely	1.000	ST
26	5.762-400.0	Bracket	1.000	ST
2	5.044-849.0	Cage	2.000	ST
23	5.332-005.0	Helical spring	1.000	ST
7	4.037-013.0	Hook	1.000	ST
1	5.776-019.0	Hose reel left half	1.000	ST
14	5.776-020.0	Hose reel right half 1	1.000	ST
12	5.776-021.0	Hose reel right half 2	1.000	ST
10	7.343-018.0	Locking ring 18x1,2-Rf-St DIN 471	1.000	ST
22	7.343-007.0	Locking ring 20x1,2-FST-RF DIN 471	1.000	ST
6	5.427-310.0	Manifold	1.000	ST
8	6.363-484.0	O-Ring seal 8 x 2,2 mm HNBR Shore 80	2.000	ST
11	6.363-485.0	O-Ring seal 10x 2 mm HNBR Shore 80	1.000	ST
5	6.363-073.3	O-Ring seal 14x1,78 1XSRH-NBR	2.000	ST
4	4.422-103.0	Pipelines	1.000	ST
27	5.394-853.0	Protection part	1.000	ST
20	2.885-146.0	Repair set hose reel	1.000	ST
3	5.027-295.0	Rod	9.000	ST
13	7.303-108.0	Screw 5x20 -10.9-R2R (In6Rd)	6.000	ST
19	7.303-118.0	Screw 5x40 -A2-70 (IN6Rd)	2.000	ST
24	7.303-209.0	Screw 6x50 -10.9-R2R (K-In6Rd)	2.000	ST
25	7.306-201.0	Screw M 6x55-A2-70 (IN6RD)	2.000	ST
9	7.306-223.0	Screw M8x12 -A2-70 (In6Rd)	2.000	ST
21	7.314-967.0	Spring pin 4x35 -St ISO 13337	1.000	ST



14 Hose reel

POS	Article no.	Description	Quantity	Unit
18	5.251-060.0	Bearing support bottom part	1.000	ST
15	4.251-051.0	Bearing support completely	1.000	ST
26	5.762-400.0	Bracket	1.000	ST
2	5.044-849.0	Cage	2.000	ST
16	5.251-070.0	Carrier aussen	1.000	ST
17	5.251-069.0	Carrier innen	1.000	ST
20	4.481-263.0	Crank complete	1.000	ST
23	5.332-005.0	Helical spring	1.000	ST
7	4.037-013.0	Hook	1.000	ST
1	5.776-019.0	Hose reel left half	1.000	ST
14	5.776-020.0	Hose reel right half 1	1.000	ST
12	5.776-021.0	Hose reel right half 2	1.000	ST
10	7.343-018.0	Locking ring 18x1,2-Rf-St DIN 471	1.000	ST
22	7.343-007.0	Locking ring 20x1,2-FST-RF DIN 471	1.000	ST
6	5.427-310.0	Manifold	1.000	ST
8	6.363-484.0	O-Ring seal 8 x 2,2 mm HNBR Shore 80	2.000	ST
11	6.363-485.0	O-Ring seal 10x 2 mm HNBR Shore 80	1.000	ST
5	6.363-073.3	O-Ring seal 14x1,78 1XSRH-NBR	2.000	ST
4	4.422-103.0	Pipelines	1.000	ST
27	5.394-853.0	Protection part	1.000	ST
3	5.027-295.0	Rod	11.000	ST
13	7.303-108.0	Screw 5x20 -10.9-R2R (In6Rd)	6.000	ST
19	7.303-118.0	Screw 5x40 -A2-70 (IN6Rd)	2.000	ST
24	7.303-209.0	Screw 6x50 -10.9-R2R (K-In6Rd)	2.000	ST
25	7.306-201.0	Screw M 6x55-A2-70 (IN6RD)	2.000	ST
9	7.306-223.0	Screw M8x12 -A2-70 (In6Rd)	2.000	ST
21	7.314-967.0	Spring pin 4x35 -St ISO 13337	1.000	ST



20 Crank complete (4.481-263.0)

POS	Article no.	Description	Quantity	Unit
6	5.332-005.0	Helical spring	1.000	ST
5	7.343-007.0	Locking ring 20x1,2-FST-RF DIN 471	1.000	ST
7	7.314-967.0	Spring pin 4x35 -St ISO 13337	1.000	ST