

Spare parts list

(1.055-601.0) FC 5 Cordless *EU

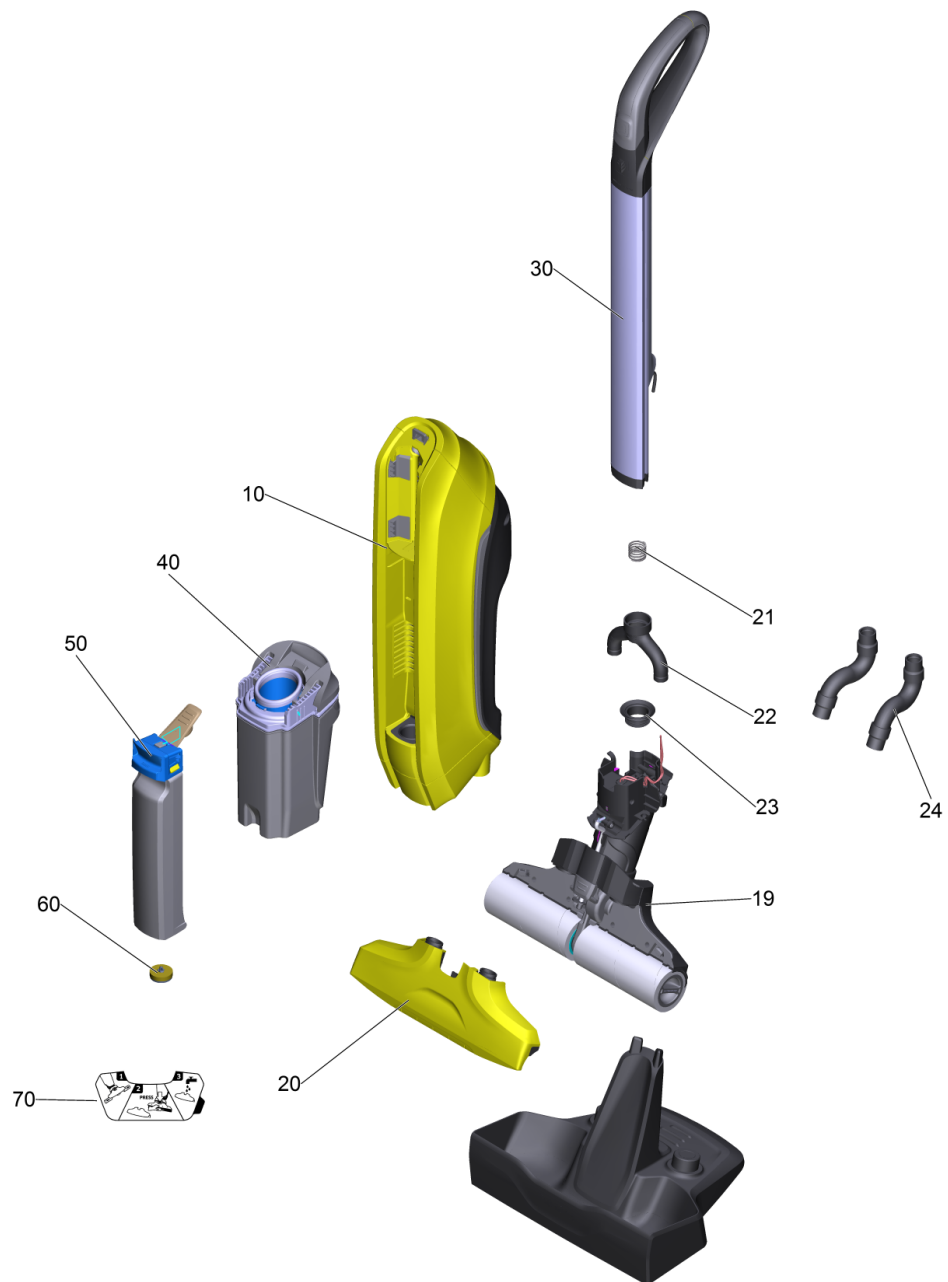
Table of contents

FC 5 Cordless *EU (1.055-601.0)	3
10 Device FC 5 Cordless (yellow)* EU	5
10 Basic unit yellow	7
19 Brush assembly	9
10 Spare parts set drive complete (4.071-539.0)	11
30 Handle complete yellow	12
20 Handle cable switch	14
40 Dirt bin complete (4.055-030.0)	16
50 Water tank complete	18



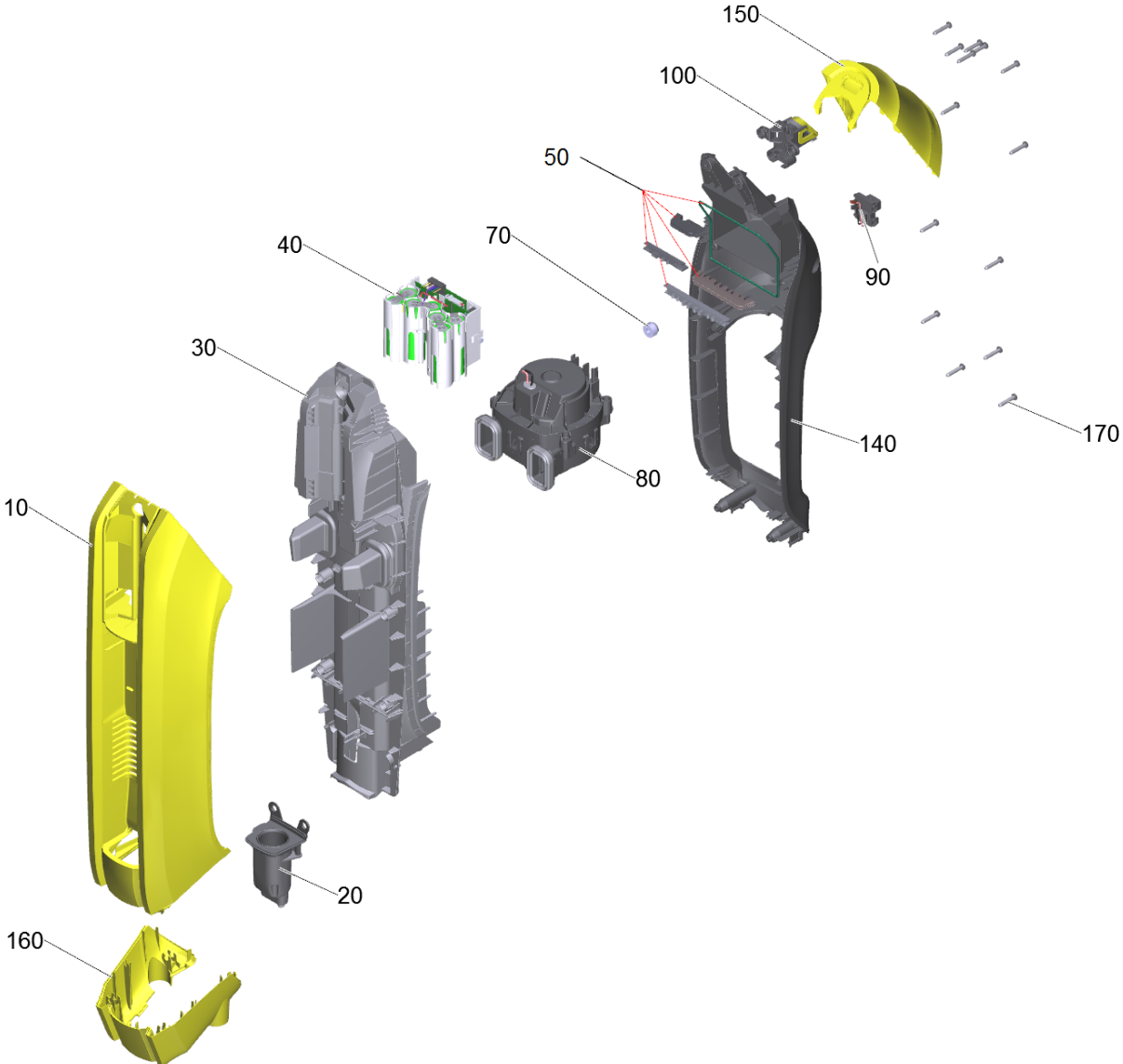
FC 5 Cordless *EU (1.055-601.0)

POS	Article no.	Description	Quantity	Unit
10		Device FC 5 Cordless (yellow)* EU	1	PC
20	6.195-069.0	Power supply PS07 Phihong *EU	1	PC
30	5.055-521.0	Cleaning station FC 5	1	PC
110	2.055-006.0	Set of rollers yellow set gelb	1	PC
110	2.055-021.0	Stone rollers set two parts	1	PC
110	2.055-022.0	Wooden rollers set	1	PC



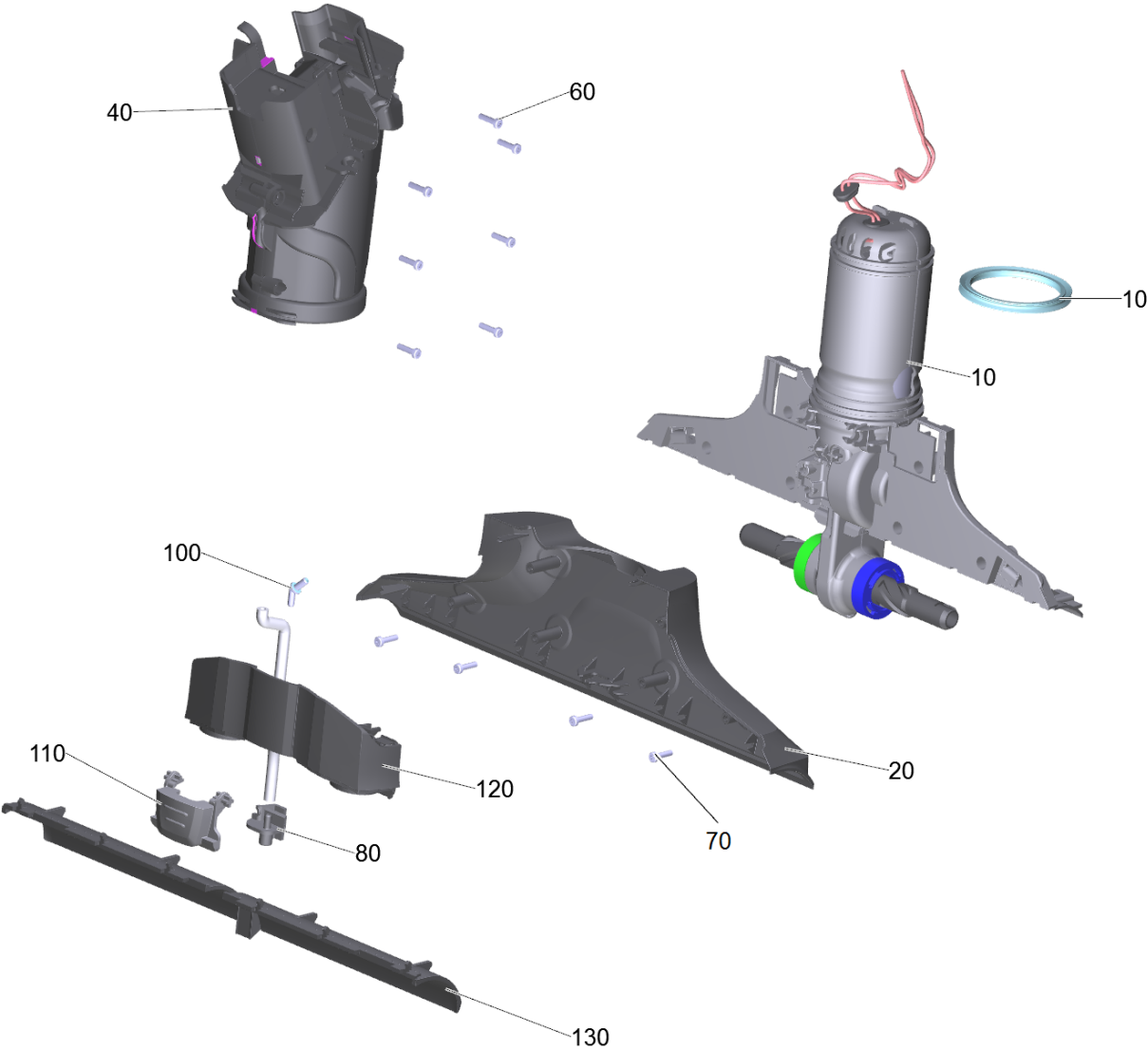
10 Device FC 5 Cordless (yellow)* EU

POS	Article no.	Description	Quantity	Unit
10		Basic unit yellow	1	PC
19		Brush assembly	1	PC
20	4.055-178.0	Cover plate aspiration complete	1	PC
21	6.330-123.0	Pressure spring	1	PC
22	5.055-419.0	Connection extraction system	1	PC
23	5.055-404.0	Seal intake dirt box	1	PC
24	6.901-002.0	Suction hose complete	2	PC
30		Handle complete yellow	1	PC
40	4.055-030.0	Dirt bin complete	1	PC
50		Water tank complete	1	PC
60	4.055-110.0	Filter complete for replacement	1	PC
70	5.397-816.3	Label vacuum channel packaged FC 5	1	PC



10 Basic unit yellow

POS	Article no.	Description	Quantity	Unit
10	9.038-619.0	Housing front printed	1	PC
20	9.013-545.3	Water valve complete	1	PC
30	9.038-592.0	Bracket frame	1	PC
40	4.071-570.0	Battery accumulator complete	1	PC
50	4.071-538.0	Spare parts set seals	1	PC
70	5.055-441.0	Rubber bearing	1	PC
80	9.013-540.3	Spare parts set turbine-motor completely	1	PC
90	9.013-548.3	Charging jack complete	1	PC
100	9.013-547.3	LED box completely	1	PC
140	9.038-594.0	Housing back	1	PC
150	9.038-595.0	Cover plate top	1	PC
160	9.038-596.0	Cover plate bottom	1	PC
170	9.086-221.0	Screw ATF 4.1x22	14	PC

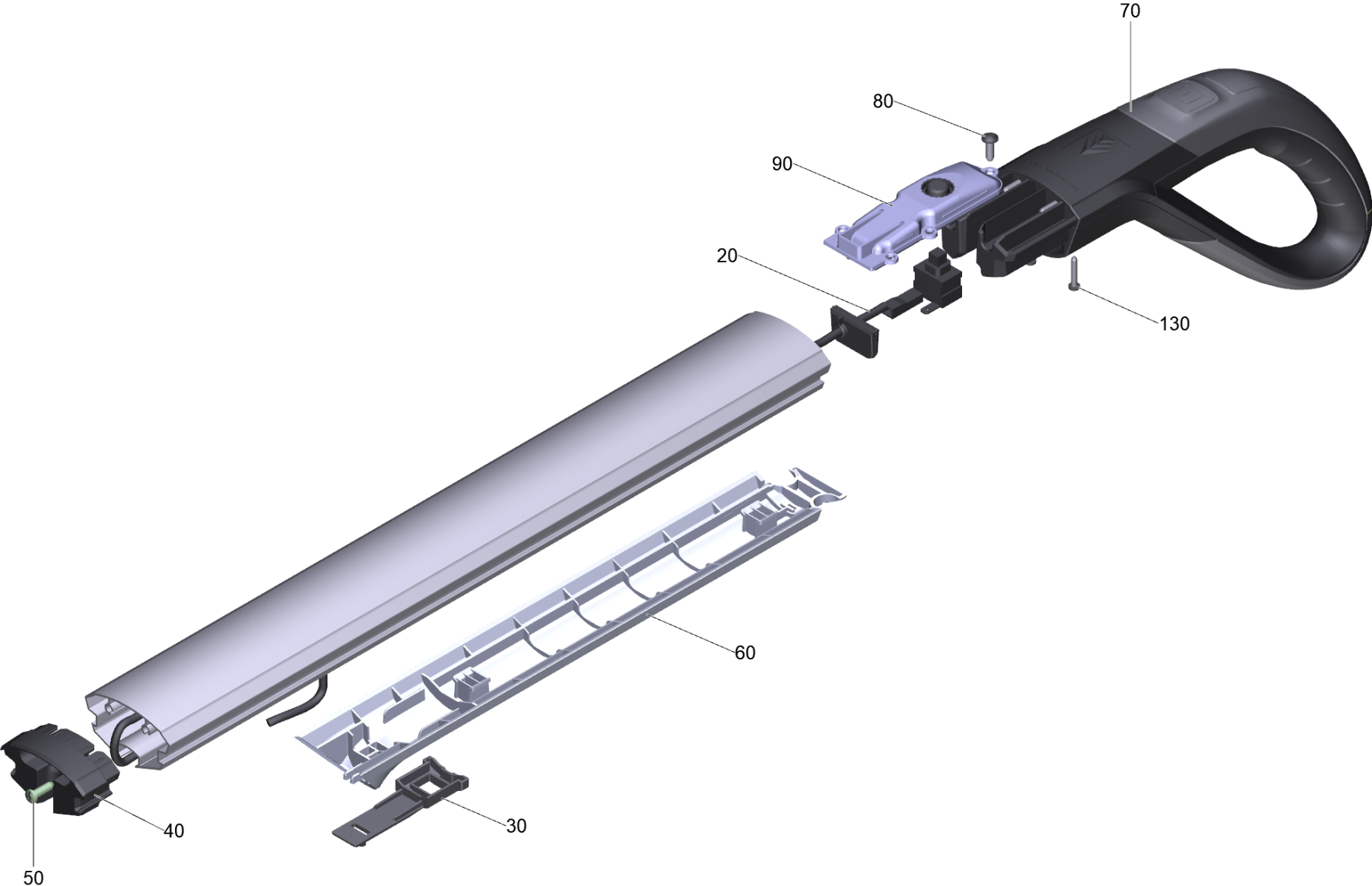


19 Brush assembly

POS	Article no.	Description	Quantity	Unit
10	4.071-539.0	Spare parts set drive complete	1	PC
20	5.055-439.0	COVERING CLEANING HEAD	1	PC
40	4.055-172.0	Joint housing black for replacement	1	PC
60	6.303-557.0	Screw 3x12 Kombitorx T8	7	PC
70	6.303-557.0	Screw 3x12 Kombitorx T8	8	PC
80	9.038-581.0	Hose nipple	1	PC
100	9.038-591.0	Water nipple	1	PC
110	9.038-580.0	Lock button	1	PC
120	9.038-579.0	Cap hose	1	PC
130	5.055-410.0	Sweep edge	1	PC
140	6.288-225.0	Grease	1	ZST
	cart_info_txt: This material is not available due to hazardous good regulation. Please procure this or a similar material from a local supplier of your choice. Grease - Lagermeister 3000 plus (Fuchs Lubritech)			
150	5.332-366.0	Helical spring	1	PC

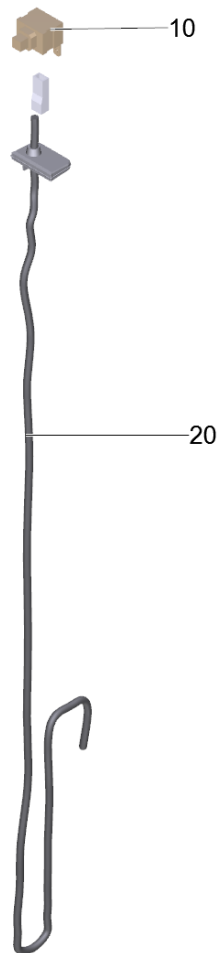
10 Spare parts set drive complete (4.071-539.0)

POS	Article no.	Description	Quantity	Unit
1	5.055-430.0	Seal	1	PC



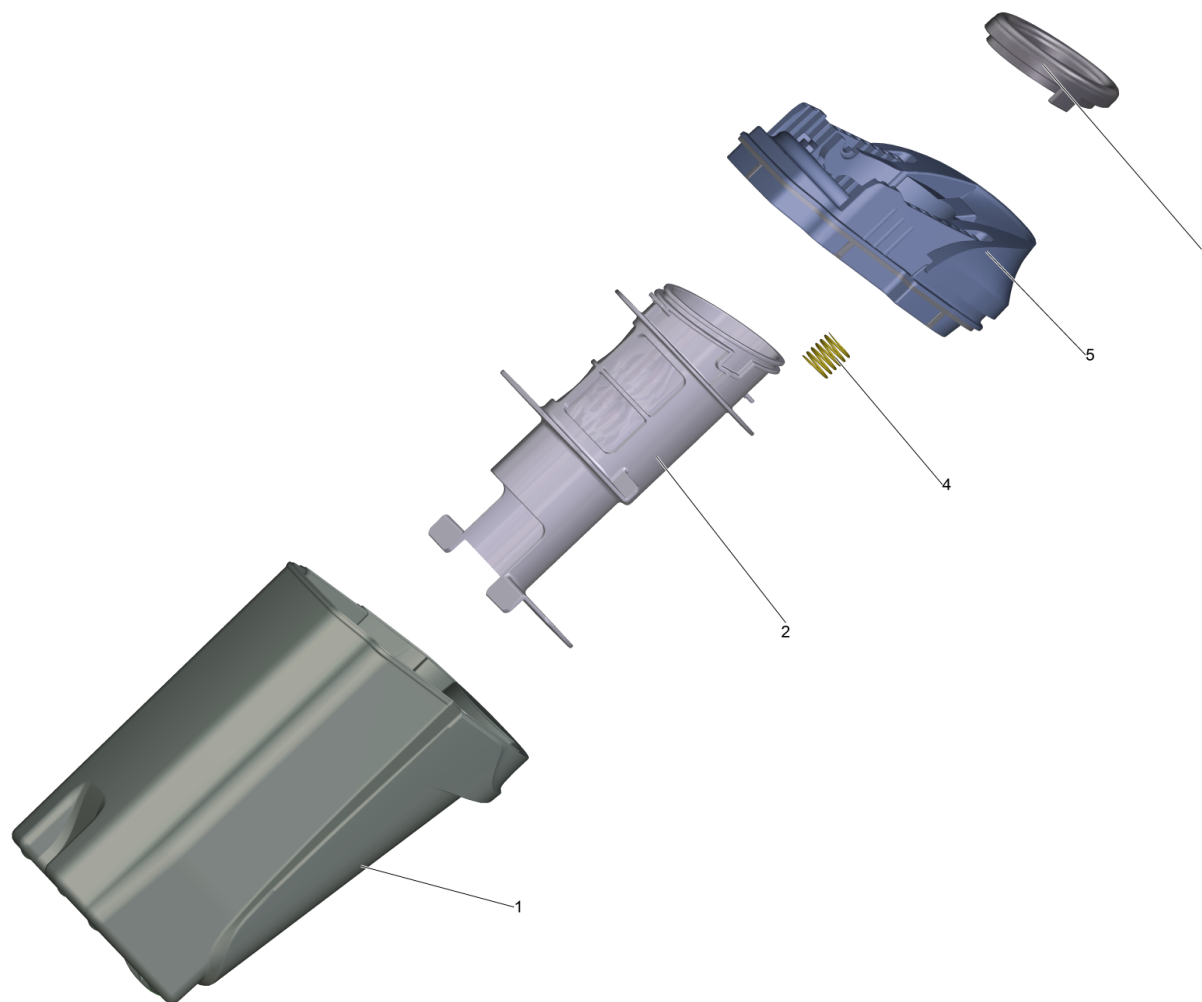
30 Handle complete yellow

POS	Article no.	Description	Quantity	Unit
10	5.055-477.0	Profile aluminium printed	1	PC
20		Handle cable switch	1	PC
30	5.055-239.0	Snap-fit	1	PC
40	5.055-251.0	Cap bottom	1	PC
50	6.303-122.0	M4 .2X13 DIN 7981 TORX T15 PAN HD HI/LO	1	PC
60	4.055-231.0	Handle cover for replacement	1	PC
70	4.055-171.0	Hand grip black for replacement	1	PC
80	7.303-106.0	Screw 4x12 -10.9-R2R (IN6RD)	9	PC
90	5.055-256.0	Cover switch	1	PC
130	7.303-264.0	Screw 3x16 -10.9-R2R (K-In6Rd)	3	PC



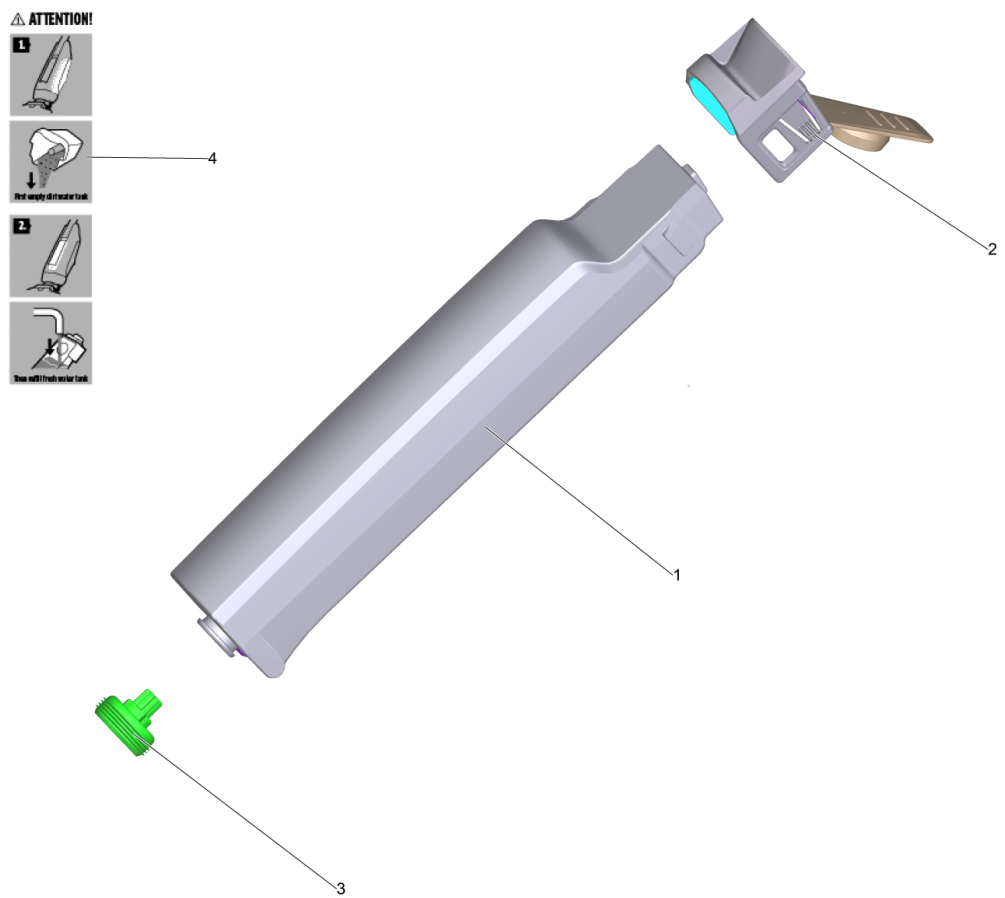
20 Handle cable switch

POS	Article no.	Description	Quantity	Unit
10	9.085-118.0	Switch 1P	1	PC
20	9.084-389.0	Handle cable switch	1	PC



40 Dirt bin complete (4.055-030.0)

POS	Article no.	Description	Quantity	Unit
1	5.055-399.0	Dirt box	1	PC
2	5.055-400.0	Separator	1	PC
3	5.055-046.0	Seal separator	1	PC
4	5.332-207.0	Helical spring	1	PC
5	4.055-108.0	Dirt box cover set f.E.	1	PC



50 Water tank complete

POS	Article no.	Description	Quantity	Unit
1	5.055-048.0	Fresh water tank	1	PC
2	5.055-049.0	Fresh water tank cover	1	PC
3	4.055-112.0	Valve complete for replacement	1	PC
4	5.396-172.3	Label fresh water tank packaged FC 5	1	PC