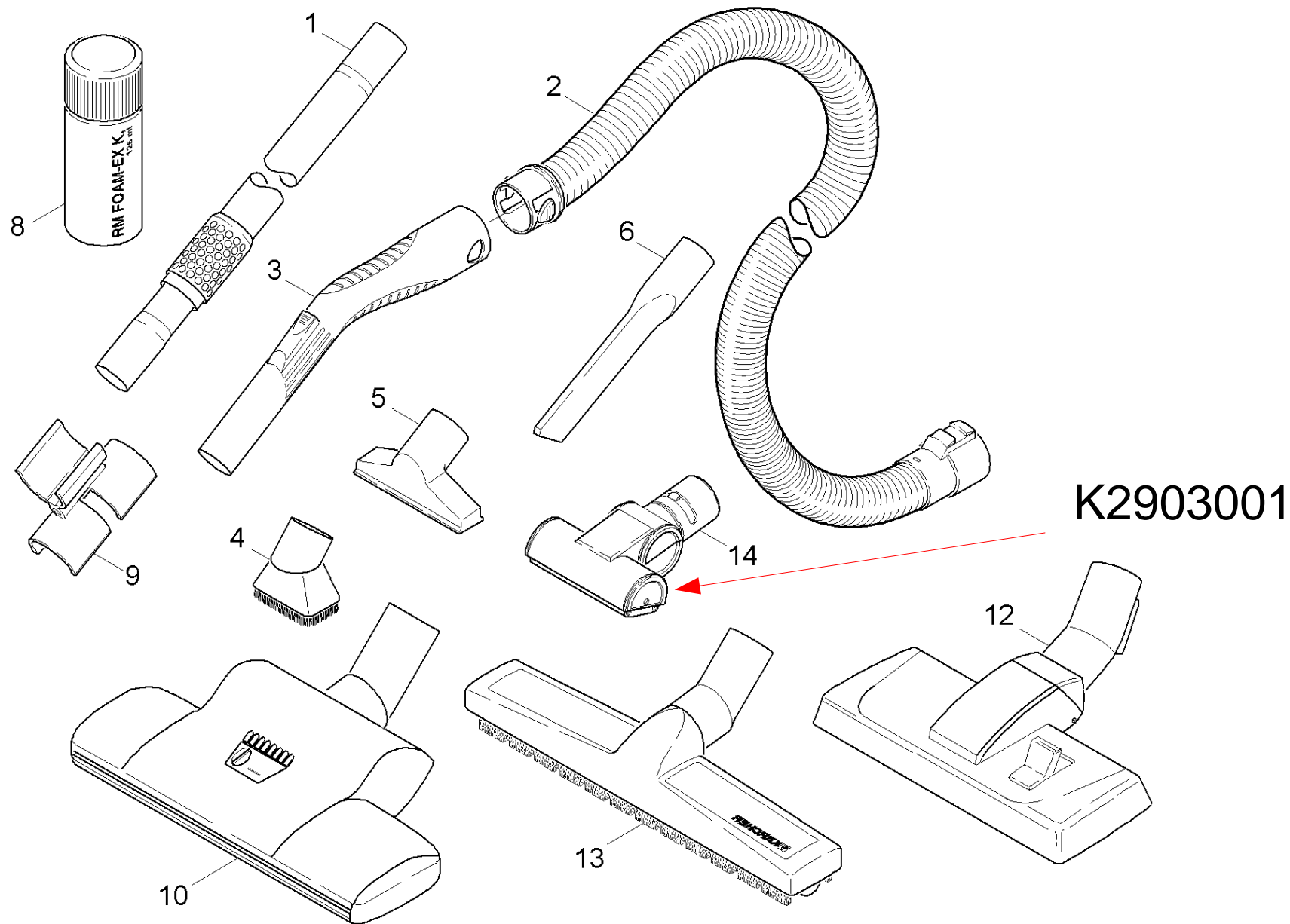


50 Accessories (0.164-845.0)

Overview technical documents/Home & Garden/Suction apparatus/Suction apparatus/DS 5600 SEA (1.195-133.0)/Spare parts list DS 5600/50 Accessories (0.164-845.0)



K2903001

50 Accessories (0.164-845.0)

Overview technical documents/Home & Garden/Suction apparatus/Suction apparatus/DS 5600 SEA (1.195-133.0)/Spare parts list DS 5600/50 Accessories (0.164-845.0)

| ET/VT (spare/wear parts) | Pos | Material # | Name | Qty. | Unit | from ser.nr. | up to ser.nr. | Footnote text |
|--|-----|-------------|--|-------|------|----------------------|---------------|------------------------------|
| | 1 | 6.902-127.0 | Telescopic tube | 1.000 | ST | 00000000000000000000 | | |
| | 1 | 6.902-148.0 | Telescopic tube stainless steel | 1.000 | ST | | | STAINLESS STEEL CONSTRUCTION |
| X-X | 2 | 6.901-076.0 | Suction hose complete black DS 5500/5600 | 1.000 | ST | 00000000000000000000 | | |
| X | 2 | 6.901-084.0 | Suction hose complete DS5600 mediclean | 1.000 | ST | | | |
| Position text: 1.195-137.0 / -138.0 / -139.0 | | | | | | | | |
| X-X | 3 | 6.902-126.0 | Hand tube | 1.000 | ST | 00000000000000000000 | | |
| | 3 | 6.902-156.0 | Hand tube black/grey | 1.000 | ST | | | |
| Position text: 1.195-137.0 / -138.0 / -139.0 | | | | | | | | |
| X-X | 4 | 6.906-623.0 | Nozzle furniture brush | 1.000 | ST | 00000000000000000000 | | |
| X-X | 5 | 6.906-622.0 | Upholstery nozzle | 1.000 | ST | 00000000000000000000 | | |
| | 6 | 5.195-196.0 | Crevice nozzle | 1.000 | ST | 00000000000000000000 | | |
| X-X | 8 | 6.290-852.0 | RM FOAMSTOP, 125ml *D,F,I,GB | 1.000 | ST | 00000000000000000000 | | |
| | 9 | 5.037-138.0 | Holder accessories | 1.000 | ST | 00000000000000000000 | | |
| X-X | 10 | 4.130-177.0 | Turbo nozzle | 1.000 | ST | 00000000000000000000 | | |
| | 12 | 6.906-894.0 | Floor tool black RD270 DN35 | 1.000 | ST | 00000000000000000000 | | |
| X-X | 13 | 4.130-172.0 | Parquet nozzle complete | 1.000 | ST | 00000000000000000000 | | |
| X-X | 14 | 2.903-001.0 | Turbo nozzle upholstery | 1.000 | ST | | | |