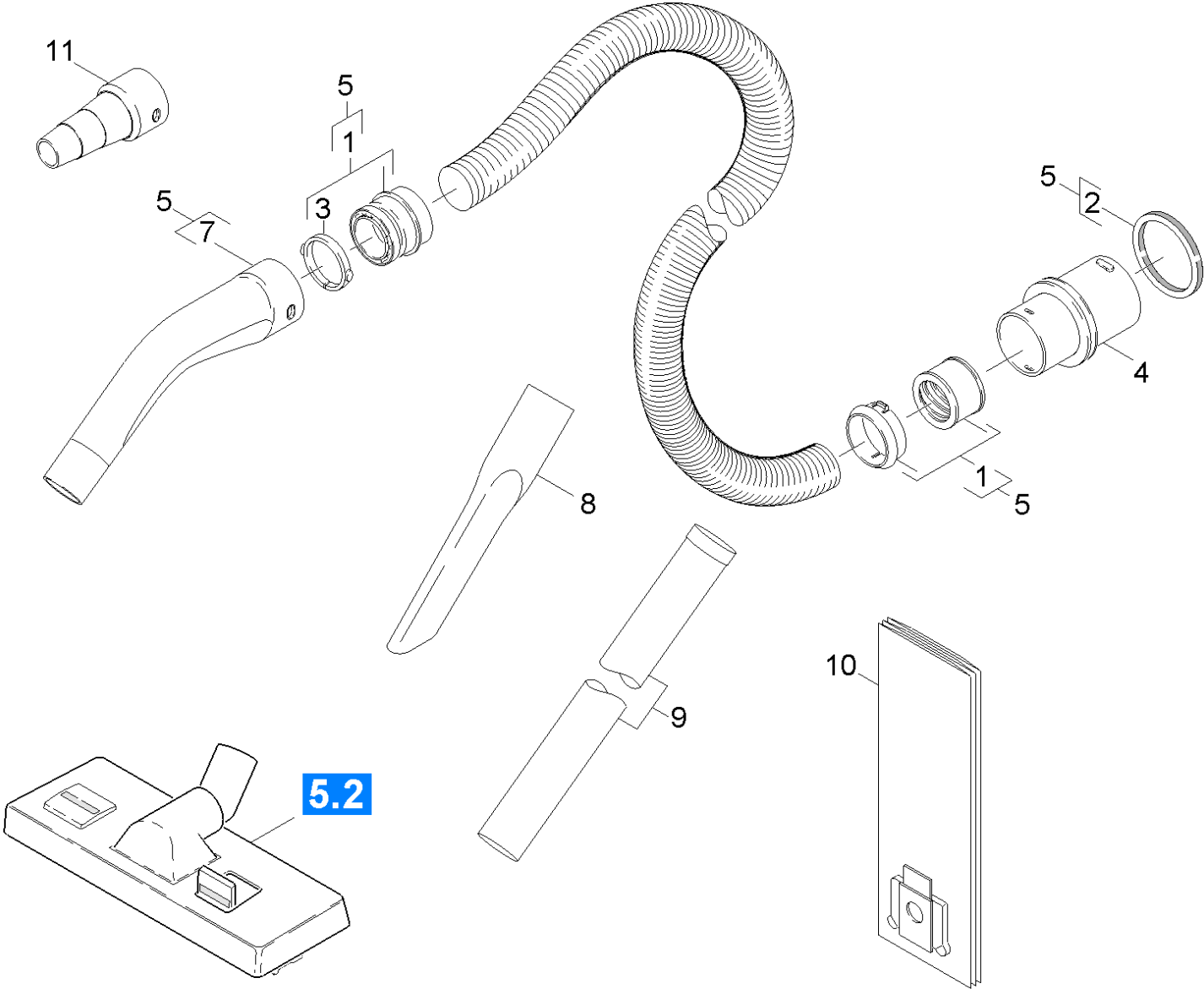


Spare parts list

Accessories

Table of contents

51 Accessories	3
1 Repair set (2.639-690.0)	5
3 Spare parts list add-on kit hose couplin (5.958-671.0)	6
10 Add-on kit hose coupling	7
5 Suction hose C DN35 (4.440-626.0)	9
10 Repair set (2.639-690.0)	11
3 Spare parts list add-on kit hose couplin (5.958-671.0)	12
10 Add-on kit hose coupling	13



51 Accessories

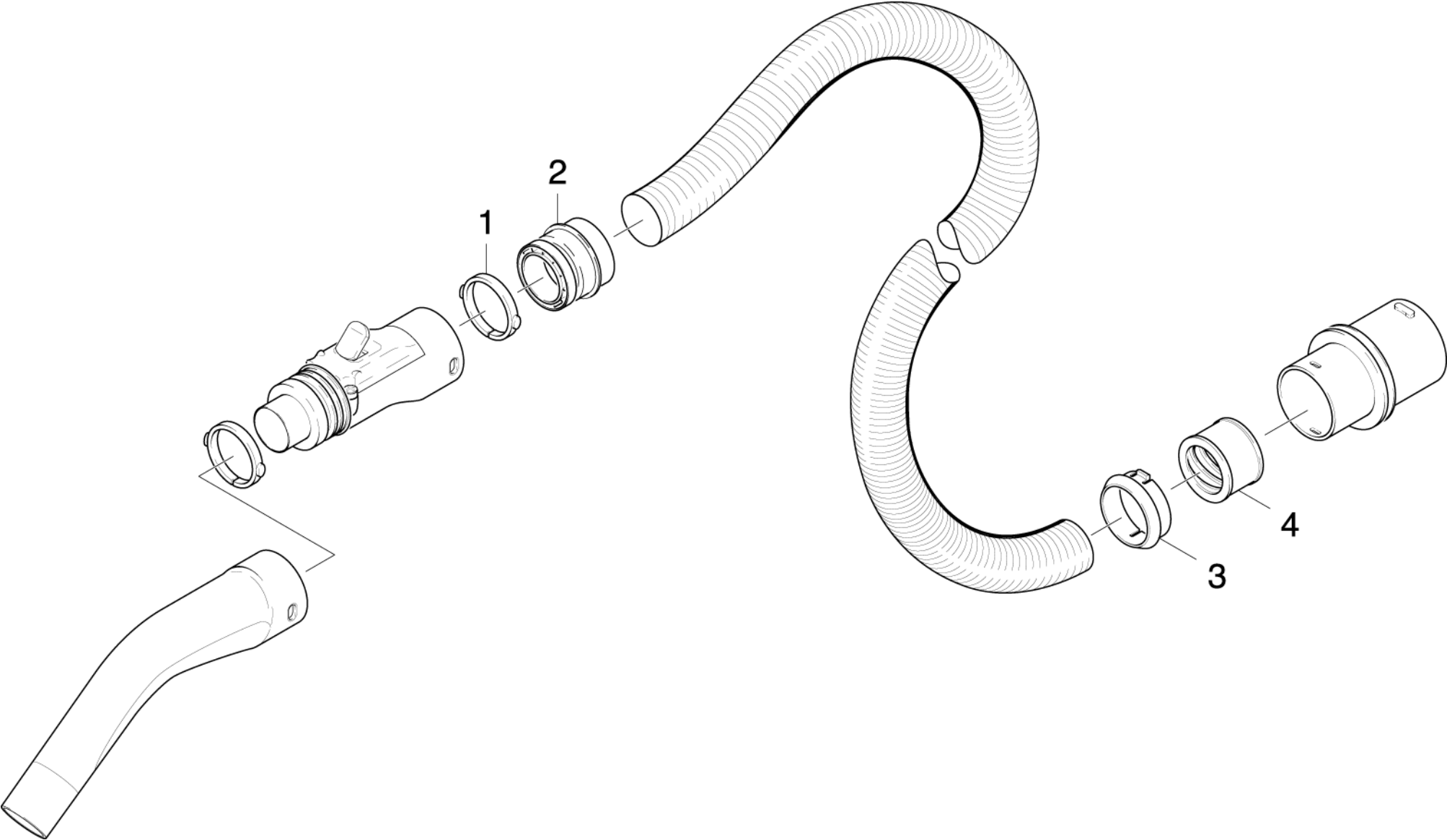
POS	Article no.	Description	Quantity	Unit
8	6.906-240.0	Crevice nozzle DN35	1.000	ST
7	5.031-718.0	Elbow	1.000	ST
10	6.904-210.0	Filter bag 5St.	1.000	ZSA
4	5.443-464.0	Hosebarb	1.000	ST
2	6.273-009.0	Joint ring EPDM	1.000	ST
1	2.639-690.0	Repair set	1.000	ST
10	6.907-479.0	Set filter bags-fleece 35L	1.000	ST
	Item text1: 1.184-506.0			
11	5.453-042.0	Sleeve for tool C35EL	1.000	ST
5	4.440-626.0	Suction hose C DN35	1.000	ST
9	6.900-514.0	Suction tube DN35	2.000	ST
3	5.031-703.0	Tension ring C35	1.000	ST

1 Repair set (2.639-690.0)

POS	Article no.	Description	Quantity	Unit
3	5.958-671.0	Spare parts list add-on kit hose couplin	1.000	ST
Item text2: 26396900				

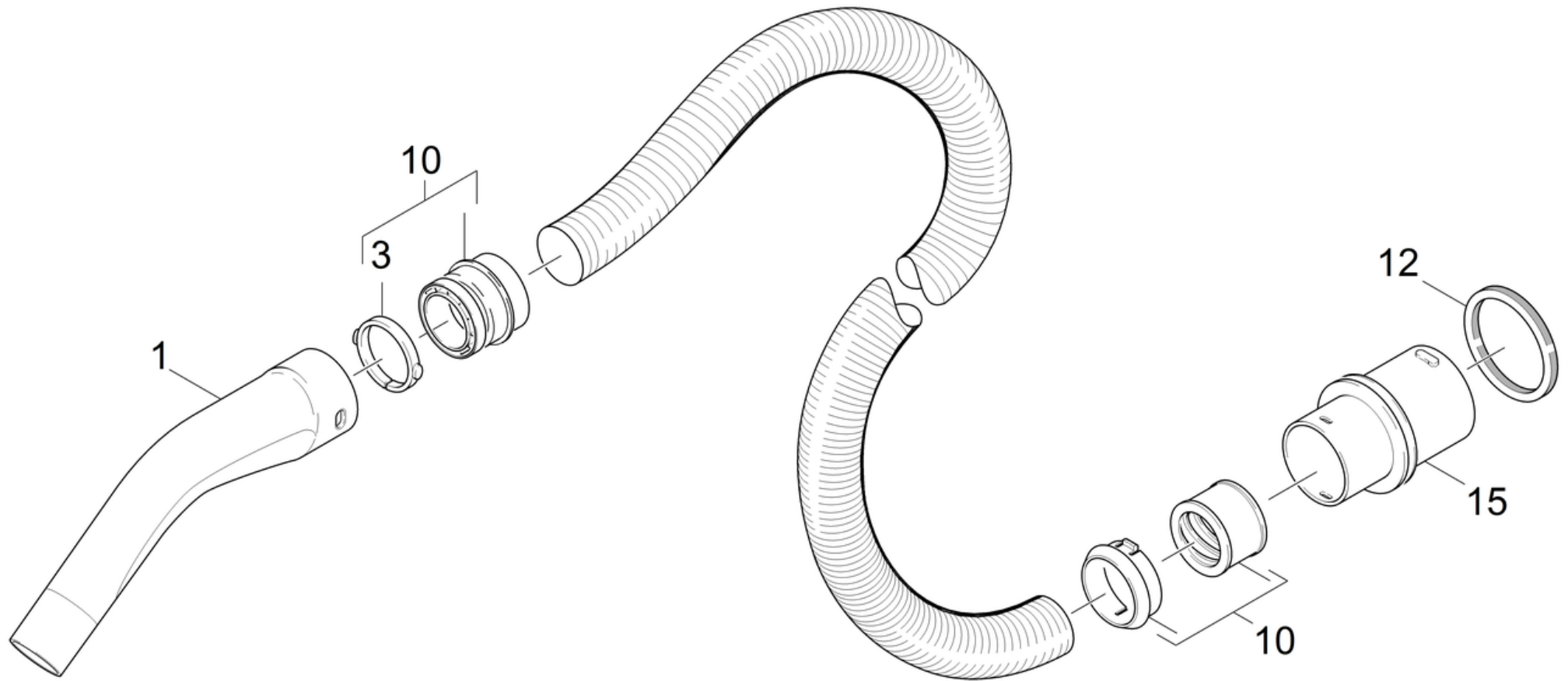
3 Spare parts list add-on kit hose couplin (5.958-671.0)

POS	Description	Quantity	Unit
10	Add-on kit hose coupling	1.000	ST



10 Add-on kit hose coupling

POS	Article no.	Description	Quantity	Unit
3	6.902-065.0	Clamp sleeve	1.000	ST
1	5.031-703.0	Tension ring C35	1.000	ST
4	6.902-112.0	Threaded ring	1.000	ST
2	5.406-019.0	Threaded ring C35EL	1.000	ST



5 Suction hose C DN35 (4.440-626.0)

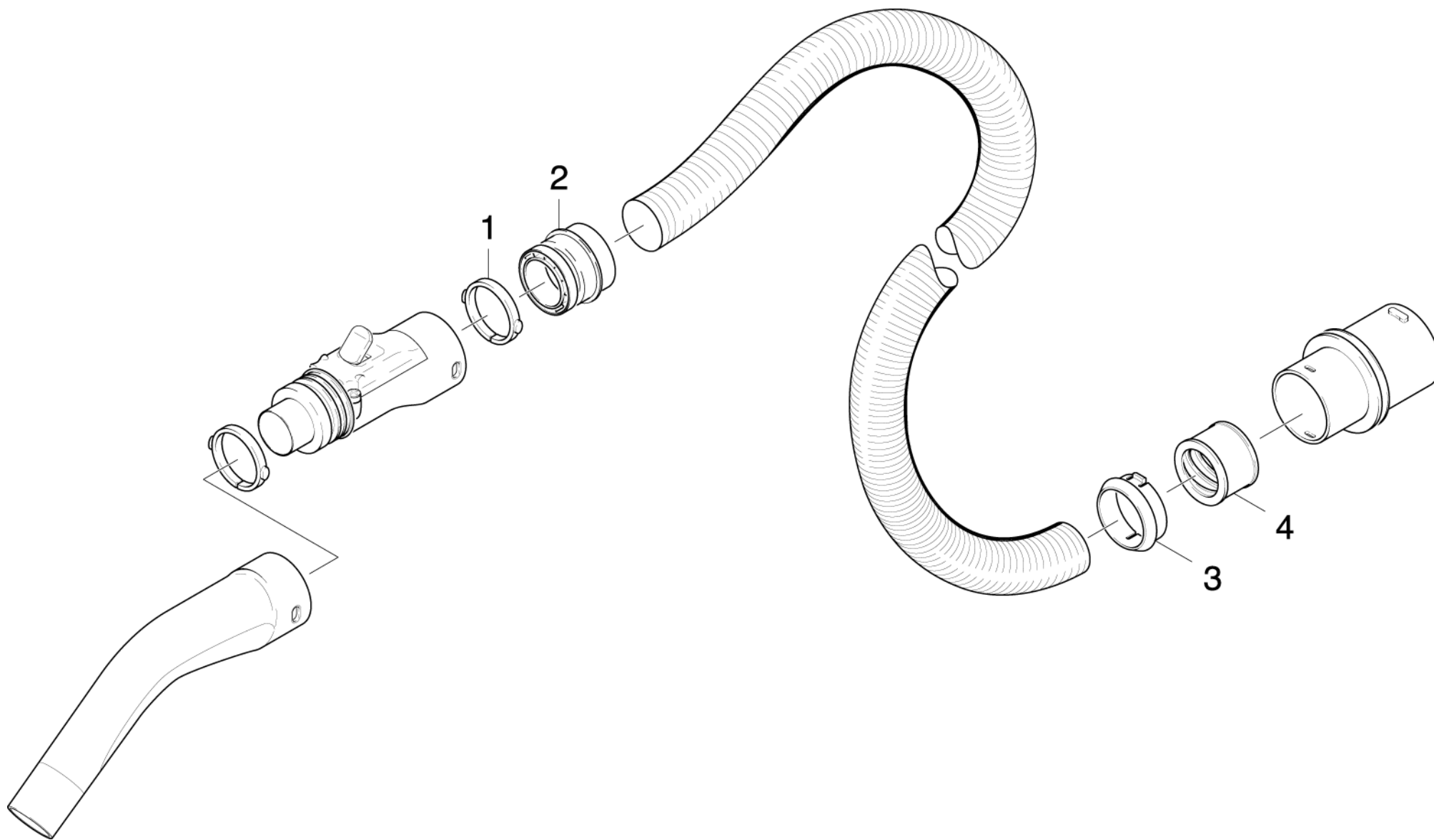
POS	Article no.	Description	Quantity	Unit
1	5.031-718.0	Elbow	1.000	ST
15	5.443-464.0	Hosebarb	1.000	ST
12	6.273-009.0	Joint ring EPDM	1.000	ST
10	2.639-690.0	Repair set	1.000	ST
3	5.031-703.0	Tension ring C35	1.000	ST

10 Repair set (2.639-690.0)

POS	Article no.	Description	Quantity	Unit
3	5.958-671.0	Spare parts list add-on kit hose couplin	1.000	ST
Item text2: 26396900				

3 Spare parts list add-on kit hose couplin (5.958-671.0)

POS	Description	Quantity	Unit
10	Add-on kit hose coupling	1.000	ST



10 Add-on kit hose coupling

POS	Article no.	Description	Quantity	Unit
3	6.902-065.0	Clamp sleeve	1.000	ST
1	5.031-703.0	Tension ring C35	1.000	ST
4	6.902-112.0	Threaded ring	1.000	ST
2	5.406-019.0	Threaded ring C35EL	1.000	ST