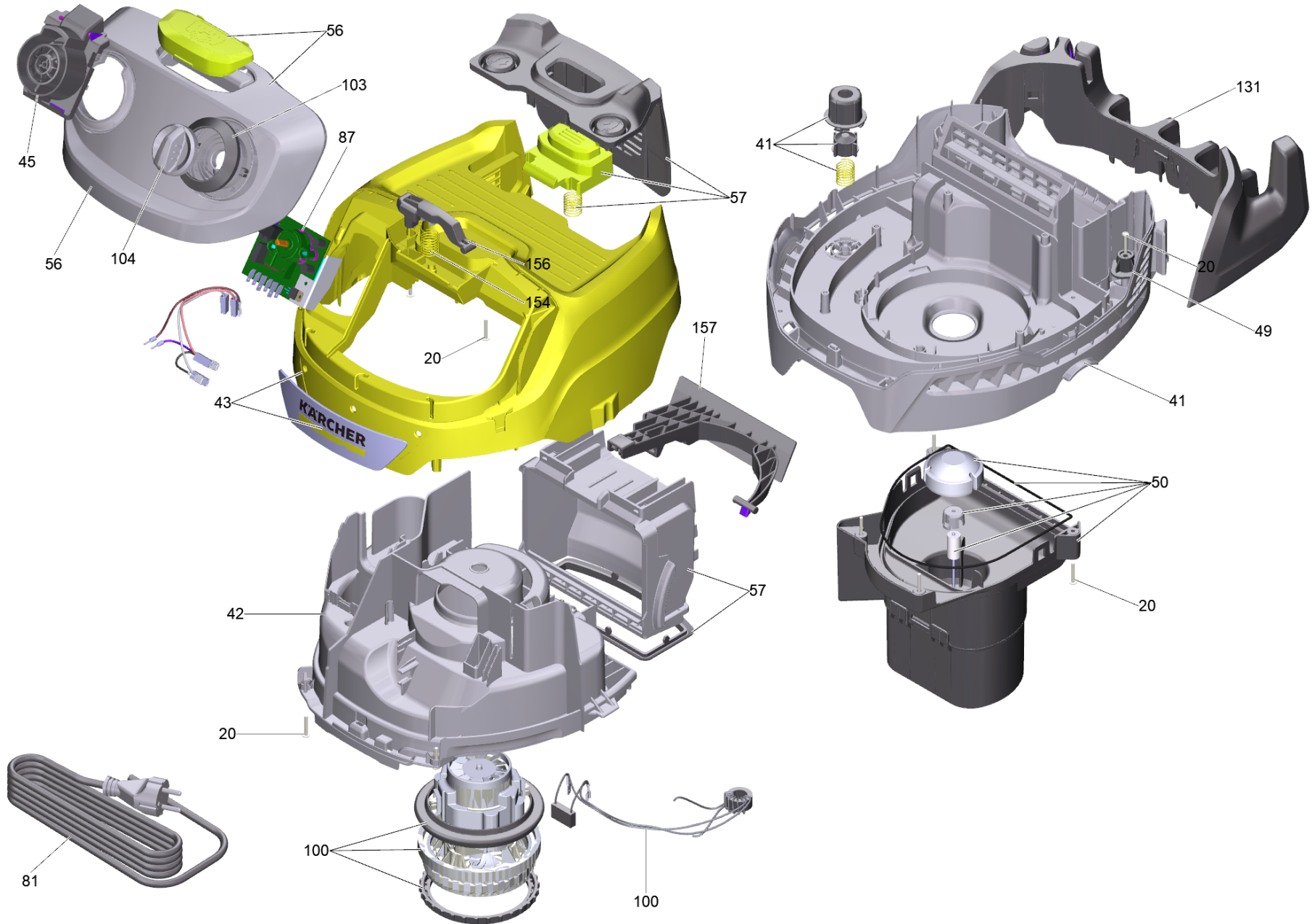


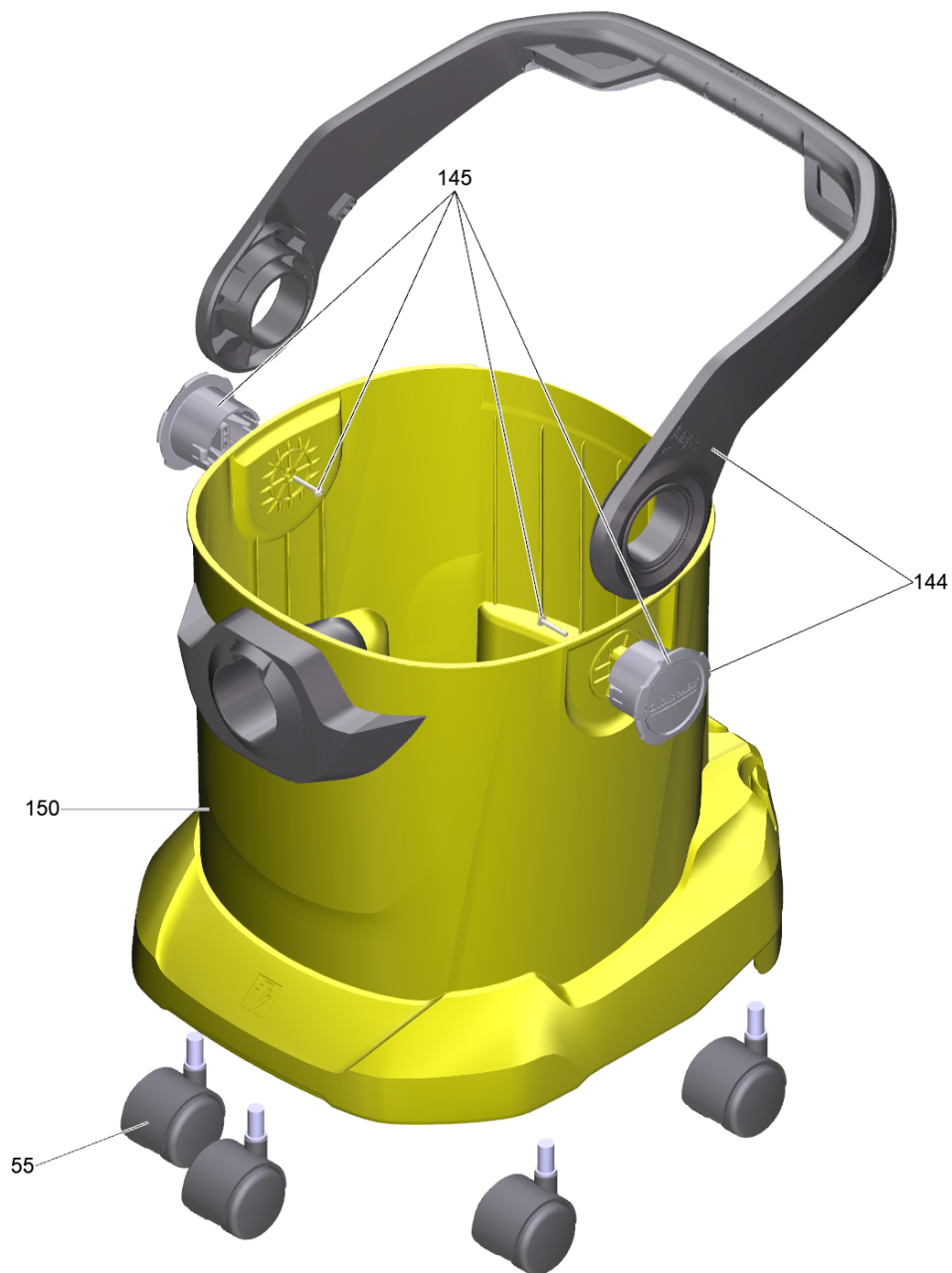
Spare parts list

(1.628-300.0) WD 5 V-25/5/22 (YYY) *EU

Table of contents

WD 5 V-25/5/22 (YYY) *EU (1.628-300.0)	3
41 Motor bracket complete (9.002-089.0)	8
50 Housing float complete	10
57 Filter box complete (9.002-091.0)	12
150 Tank plastics for replacement 25L YBBY- (4.628-020.3)	14
904 Vacuum kit for power tools WD 2St. (2.863-112.0)	16



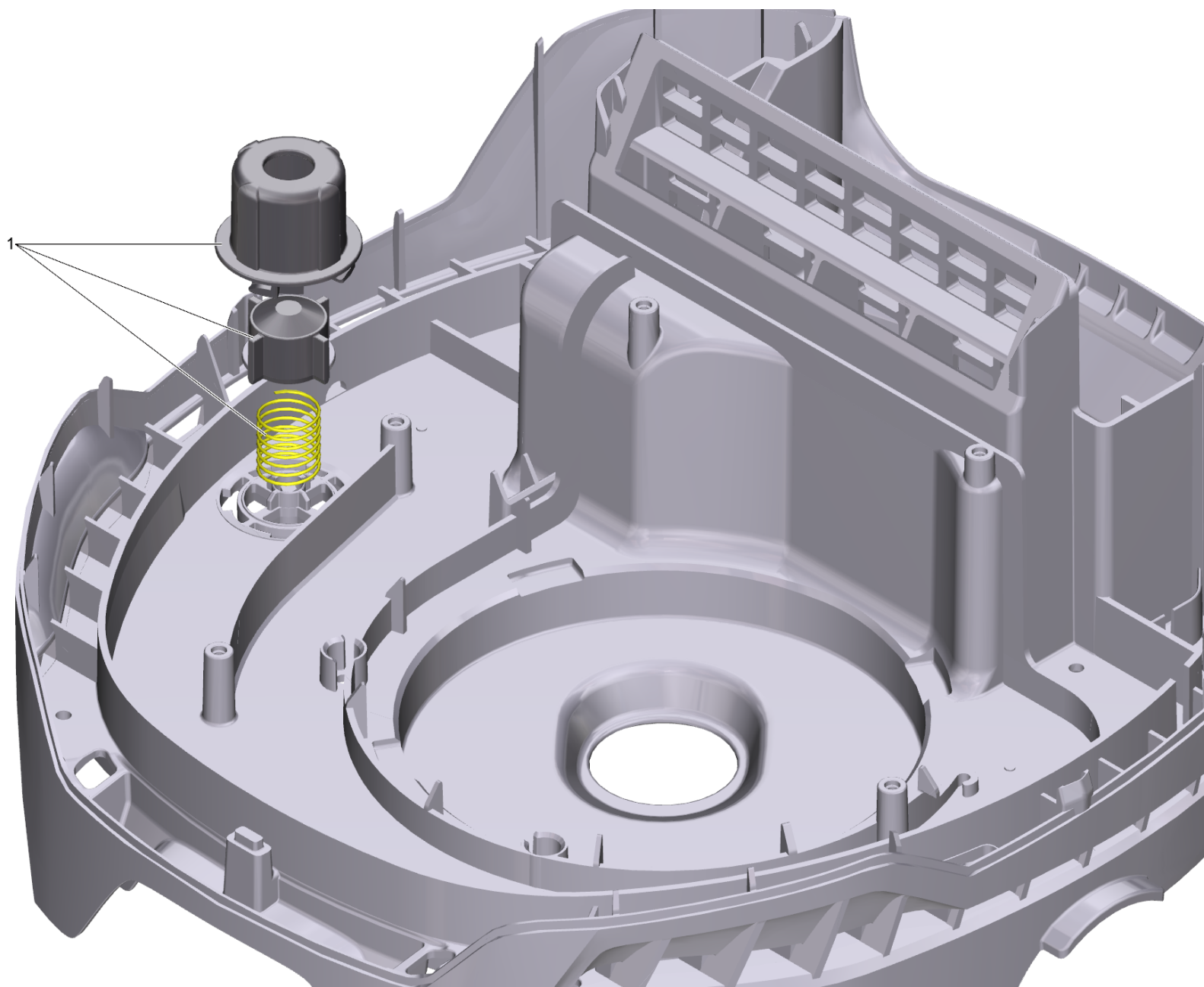




POS	Article no.	Description	Quantity	Unit
3	2.863-006.0	Filter bag fleece WD 4pc.	1	PC
4	4.440-135.3	Suction hose complete for replacement 2,2m - without handhold	1	PC
4	4.440-140.3	Suction hose complete for replacement AS 3,5m WD 4-6	1	PC
5	2.863-308.0	Extension suction tube WD ID 35	2	PC
5	9.039-339.0	Suction tube nichtrostender Stahl	2	PC
8	6.900-385.0	Crevice nozzle DN35	1	PC
9	2.863-000.0	Wet and dry nozzle switchable WD/SE	1	PC
20	9.086-221.0	Screw ATF 4.1x22	16	PC
26	9.048-061.0	Connecting sleeve	1	PC
41	9.002-089.0	Motor bracket complete	1	PC
42	9.038-271.0	Air circulation	1	PC
43	4.628-024.3	Cover complete for replacement WD 5/6 -Y	1	PC
45	9.013-059.0	Connection complete	1	PC
49	9.036-997.0	Strain relief	1	PC
50		Housing float complete	1	PC
55	9.036-479.0	Castor D50	5	PC
56	5.628-055.3	Screen cover for replacement WD 5/6	1	PC
57	9.002-091.0	Filter box complete	1	PC
81	9.084-154.0	Cable H05V-F 2X0,75 A2204 *EU	1	PC
87	9.002-098.0	Electrical box small complete	1	PC
100	4.624-434.3	Blower motor complete for replacement 1100W KCL	1	PC
103	5.628-058.3	Ring printed for replacement ON/OFF	1	PC
104	9.038-362.0	Rotary switch WD	1	PC
131	9.038-287.0	Retainer accessories	1	PC
144	9.002-093.0	Handle complete	1	PC
145	9.002-094.0	Flange hand grip complete	1	PC
150	4.628-020.3	Tank plastics for replacement 25L YBBY-	1	PC
154	9.047-111.0	Spring WD	2	PC
156	9.038-278.0	Lever spring	1	PC
157	9.038-279.0	Flap filter	1	PC
210	6.633-534.0	Oval head screw with Kombi-Torx 3x18	2	PC
900	2.863-306.0	Crevice nozzle extra long WD	1	PC
901	2.863-316.0	Car nozzle	1	PC

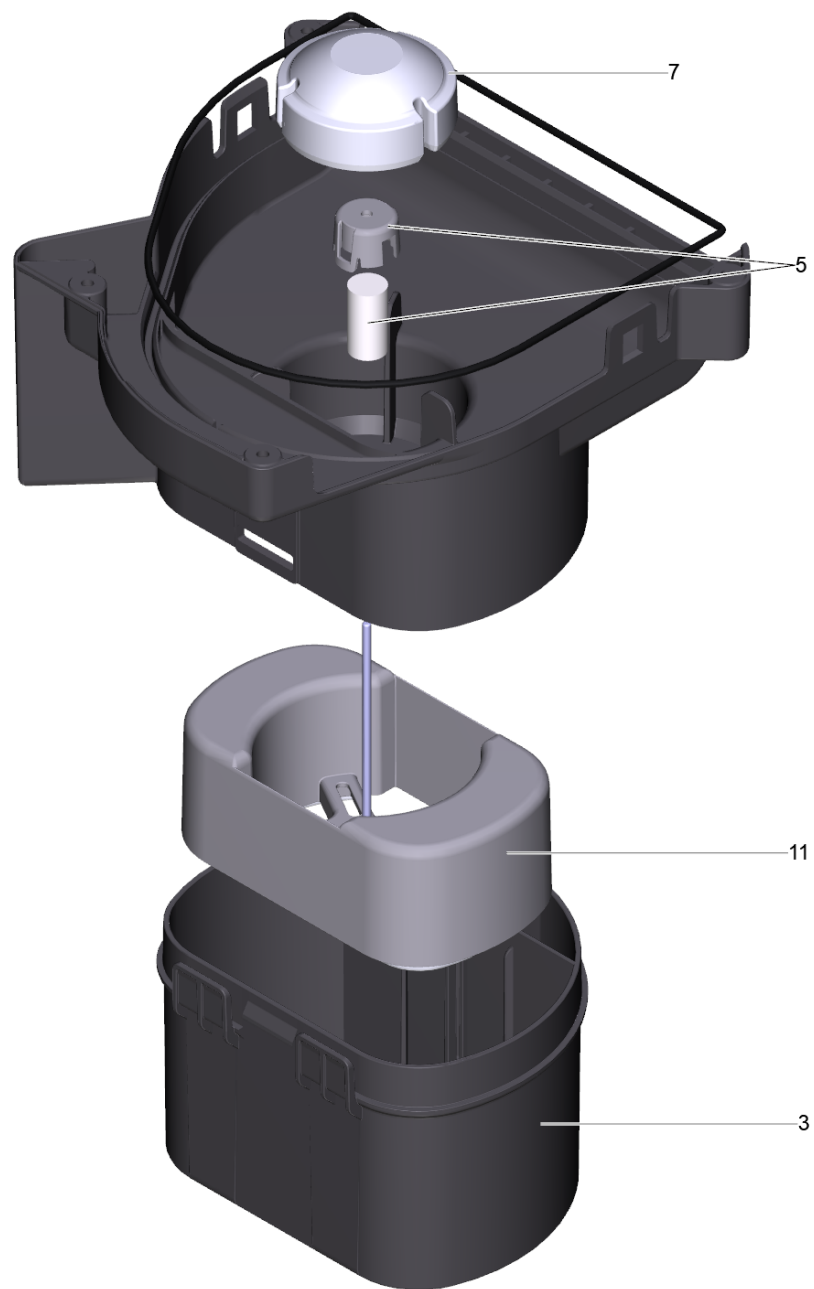
WD 5 V-25/5/22 (YYY) *EU (1.628-300.0)

POS	Article no.	Description	Quantity	Unit
902	2.863-221.0	Suction brush kit WD 2pc.	1	PC
903	2.863-305.0	Extension suction hose 3,5m	1	PC
903	4.441-068.0	Hose extension packaged 1,5 m	1	PC
904	2.863-112.0	Vacuum kit for power tools WD 2St.	1	PC
905	9.048-061.0	Connecting sleeve	1	PC
906	2.863-234.0	Drill Dust Catcher WD	1	PC
908	2.863-012.0	Hand grip suction hose	1	PC



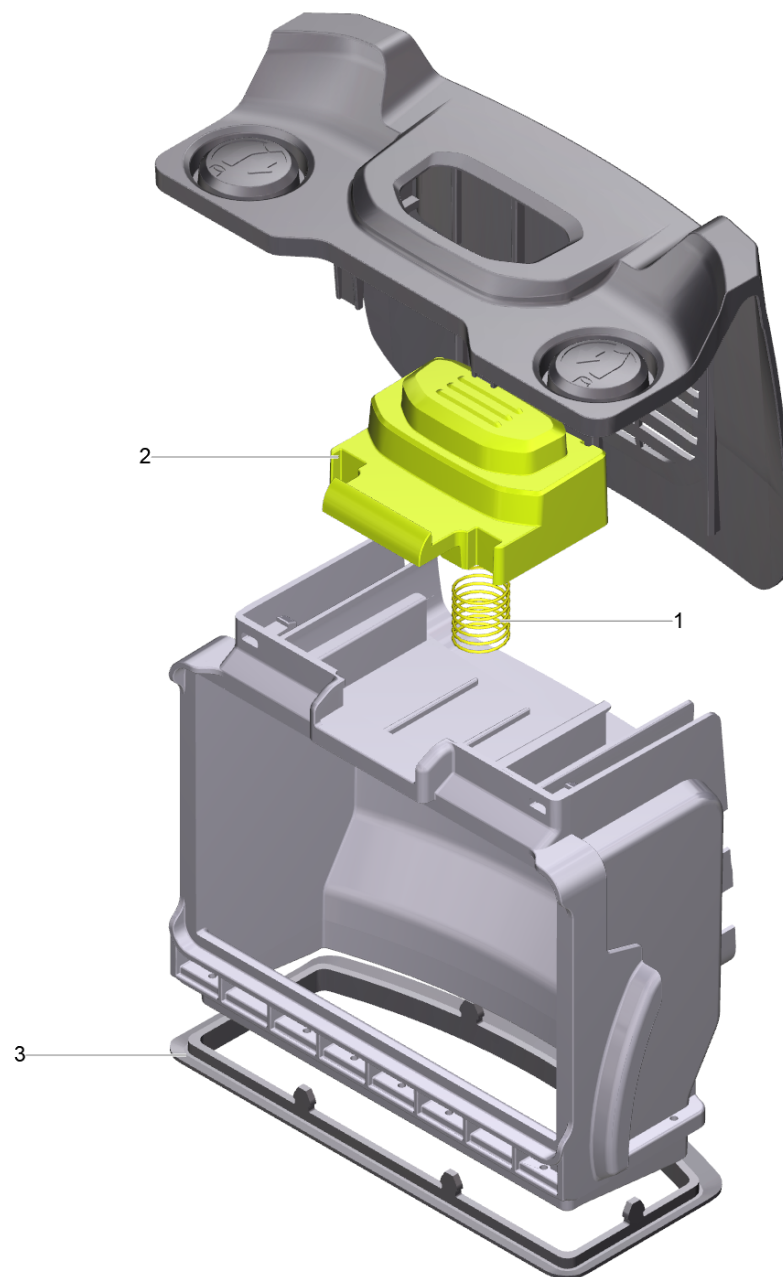
41 Motor bracket complete (9.002-089.0)

POS	Article no.	Description	Quantity	Unit
1	9.002-036.0	Safety valve complete WD 4	1	PC



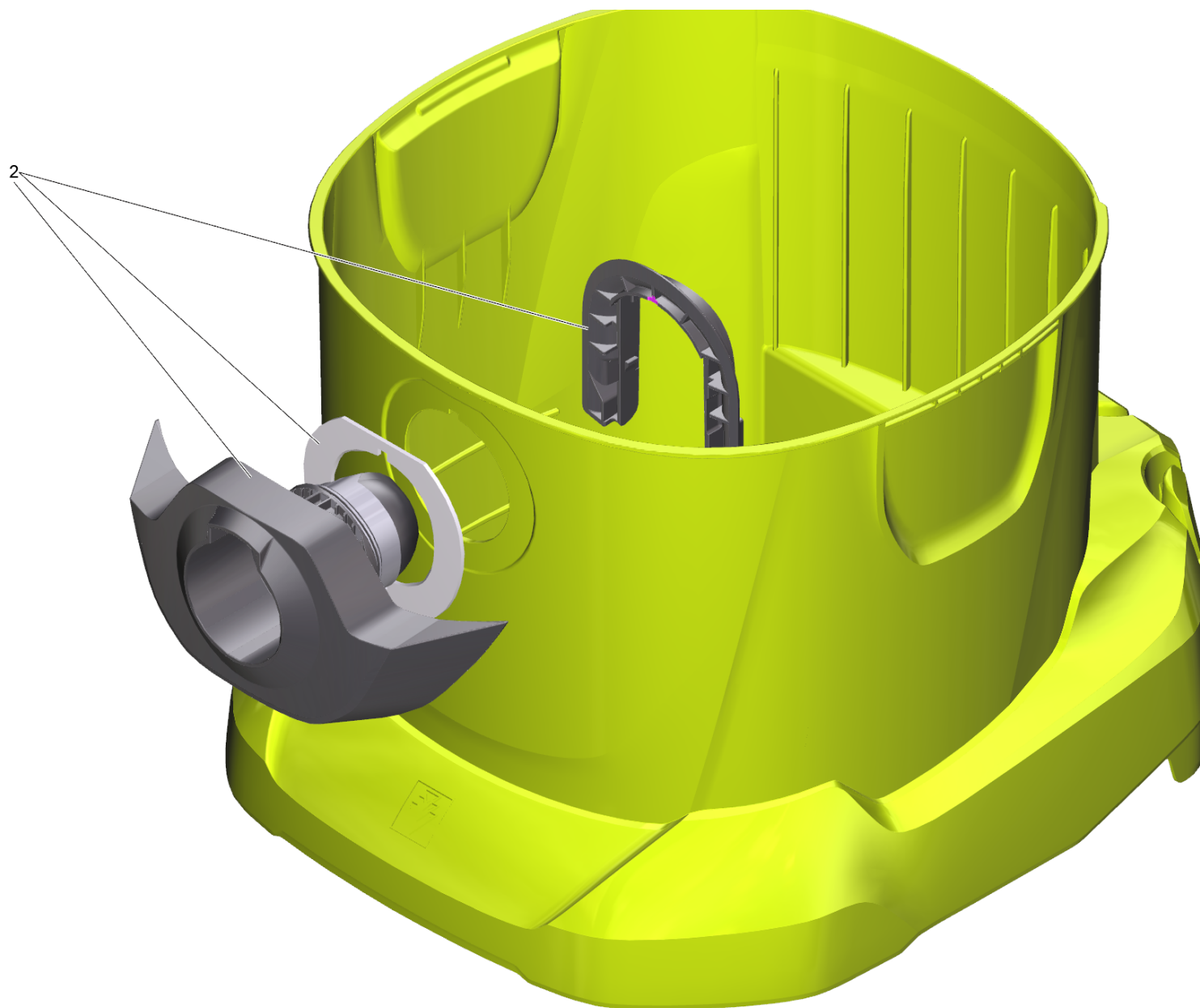
50 Housing float complete

POS	Article no.	Description	Quantity	Unit
3	9.038-264.0	Float cage	1	PC
5	9.002-034.0	Seal float complete WD 4	1	PC
7	9.038-070.0	Float valve	1	PC
11	9.002-032.0	Float complete WD 4	1	PC



57 Filter box complete (9.002-091.0)

POS	Article no.	Description	Quantity	Unit
1	6.330-415.0	Pressure spring VC6	1	PC
2	9.038-283.0	Fbox button WD5	1	PC
3	9.079-080.0	Fbox Sealing	1	PC



150 Tank plastics for replacement 25L YBBY- (4.628-020.3)

POS	Article no.	Description	Quantity	Unit
2	2.885-872.0	Set suction connection packaged	1	PC

904 Vacuum kit for power tools WD 2St. (2.863-112.0)

POS	Article no.	Description	Quantity	Unit
10	9.048-061.0	Connecting sleeve	1	PC