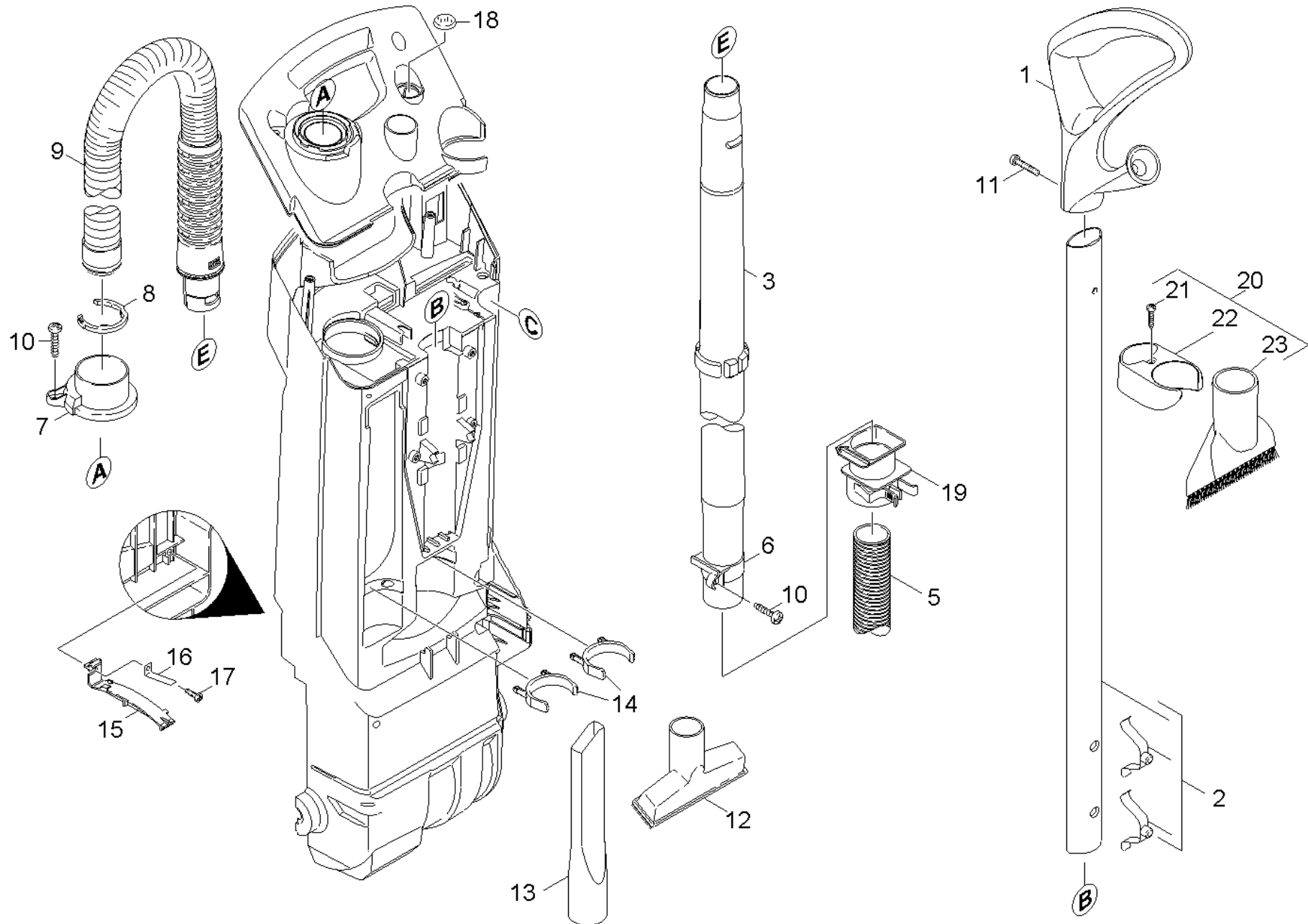


# 11 Individual parts

Professional \ Vacuum cleaner \ Dry vacuum cleaner \ CV 48/2 \*EU \ Spare parts list CV 38/2, CV 48/2 \ Top part \ Individual parts



## 11 Individual parts

Professional \ Vacuum cleaner \ Dry vacuum cleaner \ CV 48/2 \*EU \ Spare parts list CV 38/2, CV 48/2 \ Top part \ Individual parts

**KÄRCHER**

| POS | Article no. | Description                          | Quantity | Unit |
|-----|-------------|--------------------------------------|----------|------|
| 1   | 5.321-713.0 | Handhold                             | 1.000    | ST   |
| 2   | 4.128-001.0 | Handle complete only for replacement | 1.000    | ST   |
| 3   | 5.129-046.0 | Suction tube                         | 1.000    | ST   |
| 5   | 6.391-115.0 | Suction hose DN32                    | 1.000    | ST   |
| 6   | 5.570-075.0 | Ring suction tube                    | 1.000    | ST   |
| 7   | 5.032-540.0 | Hosebarb                             | 1.000    | ST   |
| 8   | 5.031-011.0 | Locking ring                         | 1.000    | ST   |
| 9   | 6.391-934.0 | Suction hose DN32                    | 1.000    | ST   |
| 10  | 7.303-108.0 | Screw 5x20 -10.9-R2R (In6Rd)         | 2.000    | ST   |
| 11  | 7.303-278.0 | Screw 5x45 -A2-70 (In6Rd)            | 1.000    | ST   |
| 12  | 6.905-998.0 | Upholstery nozzle complete NW35      | 1.000    | ST   |
| 13  | 6.906-240.0 | Crevice nozzle DN35                  | 1.000    | ST   |
| 14  | 5.041-111.0 | Clip accessories                     | 2.000    | ST   |
| 15  | 5.042-836.0 | Holder filter                        | 1.000    | ST   |
| 16  | 5.332-339.0 | Spring                               | 1.000    | ST   |
| 17  | 7.303-106.0 | Screw 4x12 -10.9-R2R (IN6RD)         | 1.000    | ST   |
| 18  | 5.031-521.0 | Lens                                 | 1.000    | ST   |
| 19  | 5.407-135.0 | Sleeve suction tube qusty grey       | 1.000    | ST   |
| 20  | 4.262-015.0 | Accessories kit clamp                | 1.000    | ST   |
| 21  | 7.303-212.0 | Screw 5x20 -A2-70 (In6Rd)            | 1.000    | ST   |
| 22  | 5.332-980.0 | Clamp                                | 1.000    | ST   |
| 23  | 6.903-862.0 | Suction brush DN35                   | 1.000    | ST   |