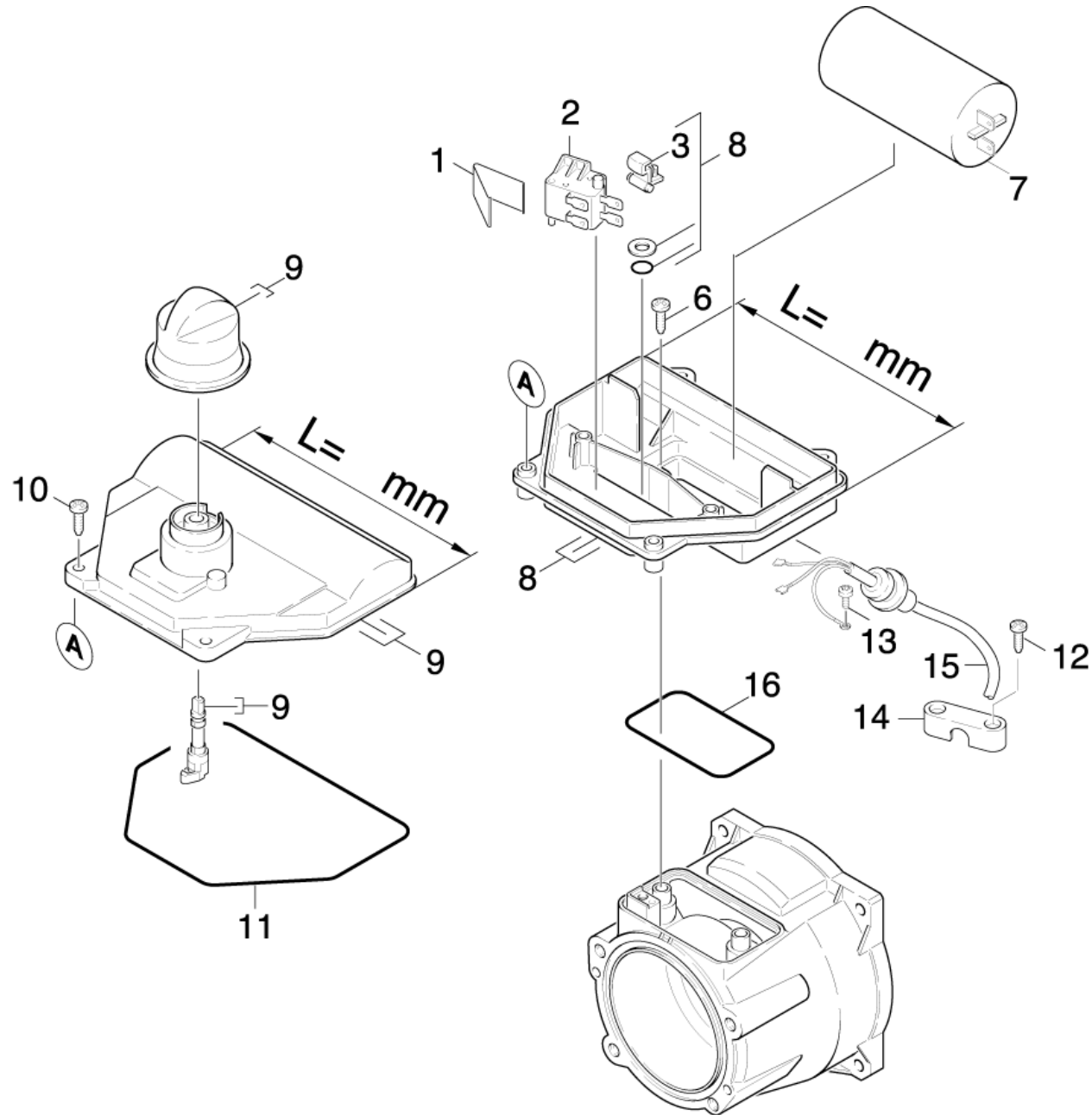


# 50 Electric control box

Home and Garden \ High pressure cleaner cold water \ Electric motor \ K 5 \ K 5.20M \*EU \ Spare parts list K 520 M \ Electric control box



## 50 Electric control box

Home and Garden \ High pressure cleaner cold water \ Electric motor \ K 5 \ K 5.20M \*EU \ Spare parts list K 520 M \ Electric control box

**KÄRCHER**

POS	Article no.	Description	Quantity	Unit	Remark	Foot note text
1	5.337-027.0	Plate spring	1	PC		
13	7.303-031.0	Screw M4x10 -St-P2R (In6Rd)	1	PC		
15	7.777-999.0	Stockpiling discontinued	1	PC		
	<b>Item text1:</b> / 1.069-600.0 / -601.0					
15	7.777-999.0	Stockpiling discontinued	1	PC		
	<b>Item text1:</b> / 1.069-350.0					
15	7.777-999.0	Stockpiling discontinued	1	PC		
	<b>Item text1:</b> / 1.069-924.0					
15	6.649-903.0	Cable with plug *CH	1	PC		
	<b>Item text1:</b> / 1.069-290.0 / -810.0 / -895.0 / -953.0					
15	6.648-968.0	Cable with plug H05 VV-F 3G1/5,6m *EU	1	PC		
	<b>Item text1:</b> / 1.069-120.0/ -121.0/ -894.0/-919.0 /-923.0/-941.0/-942.0/-952.0/-954.0/-956.0/.0/					
15	6.648-361.0	Cable with plug *RA H05RN-F 3G1/5,6M	1	PC		
	<b>Item text1:</b> / 1.069-780.0					
15	6.647-739.0	Cable with plug	1	PC		
	<b>Item text1:</b> / 1.069-320.0 / -800.0					
15	6.647-404.0	Cable with plug *GB	1	PC		
	<b>Item text1:</b> / 1.069-280.0 / -926.0 / -931.0					
	<b>Item text2:</b> / -934.0					
14	5.034-505.0	Retaining bracket cable	1	PC		
16	6.362-887.0	O-Ring seal 65,0 X 2,5	1	PC		
2	6.631-946.0	Micro switch	1	PC		
11	6.273-070.0	Seal string cellular rubber 4	1	m		TO ORDER AS CUT GOODS
	<b>Item text1:</b> / 1.069-320.0					
9	4.063-785.0	Cover electric box	1	PC	L=138MM	VERSION 2
9	4.063-591.0	Cover electric box	1	PC	L=158MM	VERSION 1
8	4.800-852.0	Electric box complete	1	PC	L=138MM	VERSION 2
8	4.800-845.0	Electric box complete only for replaceme	1	PC	L=158MM	VERSION 1
7	6.661-129.0	Capacitor 25MF	1	PC		
3	4.047-003.0	Rocker switch complete	1	PC		
6	7.303-048.0	Screw M6x20 -St-R3R (In6Rd)	2	PC		
12	6.303-199.0	Oval head screw 4,2x 16	2	PC		

## 50 Electric control box

Home and Garden \ High pressure cleaner cold water \ Electric motor \ K 5 \ K 5.20M \*EU \ Spare parts list K 520 M \ Electric control box



POS	Article no.	Description	Quantity	Unit	Remark	Foot note text
10	6.303-125.0	Screw 5x20-Sonder In6Rd+Spitze	4	PC		