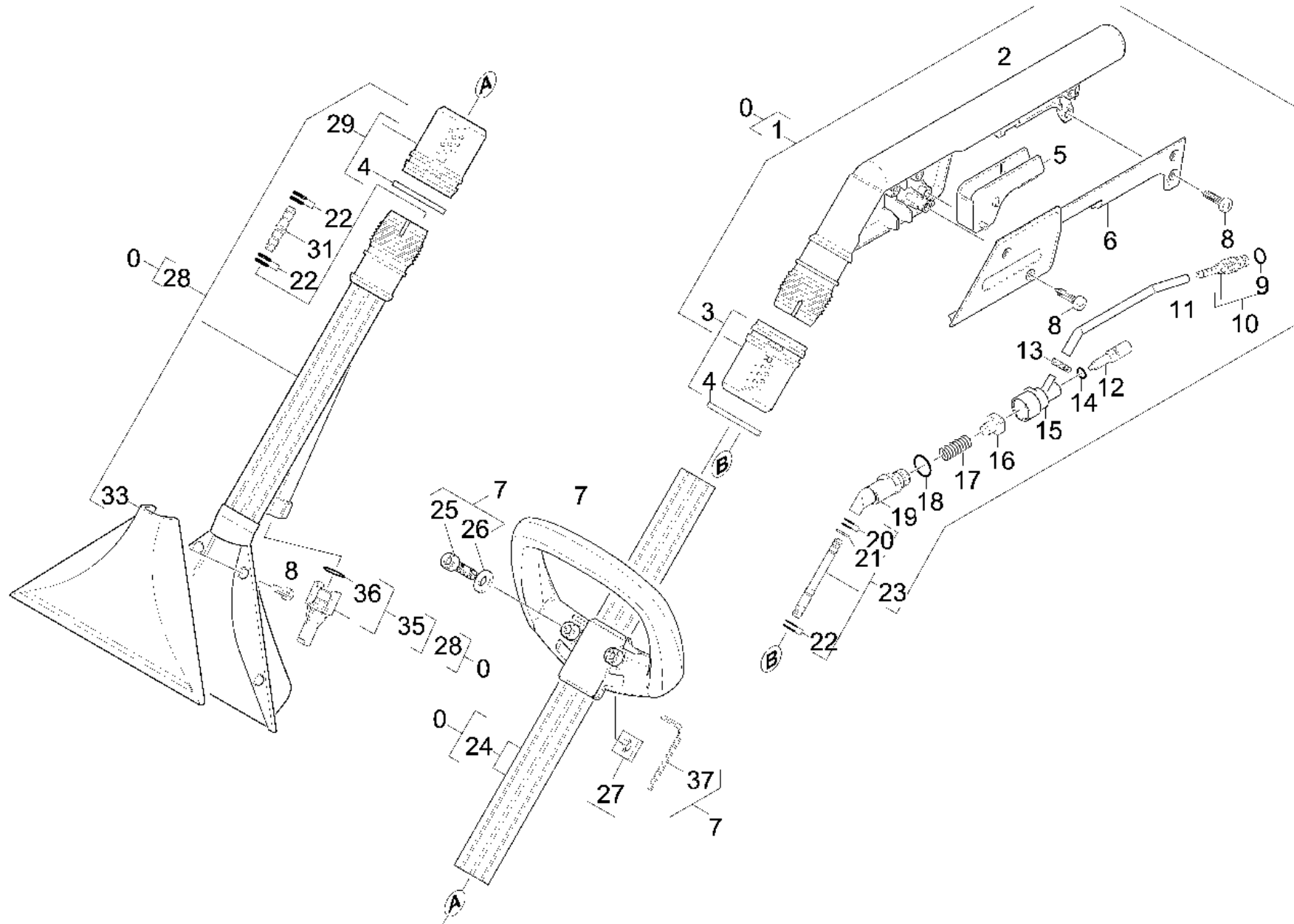


9030 Floor tool complete

Professional \ Spray extraction \ Boels Puzzi 10/1 *EU \ Spare parts list Puzzi 10/1 *EU \ Accessories \ Floor tool complete



9030 Floor tool complete

Professional \ Spray extraction \ Boels Puzzi 10/1 *EU \ Spare parts list Puzzi 10/1 *EU \ Accessories \ Floor tool complete



POS	Article no.	Description	Quantity	Unit	Remark	Foot note text
0	4.130-127.0	Nozzle complete	1	PC		INCLUDES HANDLE, SUCTION TUBE AND FLOOR TOOL
1	4.321-101.0	Handhold complete	1	PC		
2	5.321-569.0	Handhold	1	PC		
3	4.310-010.0	Nut right hand thread	1	PC		
4	5.343-014.0	Locking ring	2	PC		
5	5.481-157.0	Lever	1	PC		
6	5.031-038.0	Moulded part	1	PC		
7	4.321-186.0	Hand grip PUZZI 100/200	1	PC		
8	7.303-116.0	Screw 4x12-A2-70 (IN6RD)	8	PC		
9	6.362-498.0	O-Ring seal 6,75x1,78 NBR 70	1	PC		
10	4.443-019.0	Hose stem	1	PC		
11	6.390-237.0	Hose PU DN 6x1	1	ZST		TO ORDER AS CUT GOODS
12	5.584-033.0	Valve pin	1	PC		
13	6.390-257.0	Hose clip	2	PC		
14	6.362-401.0	O-Ring seal 3,1 X 1,6	1	PC		
15	5.587-139.0	Valve housing	1	PC		
16	5.584-034.0	Valve pin	1	PC		
17	5.332-082.0	Helical spring	1	PC		
18	6.362-402.0	O-Ring seal 11,0 X 1,3-NBR 70	1	PC		
19	5.030-670.0	Moulded part	1	PC		
20	6.362-761.0	O-Ring seal 4,0 X 1,2	2	PC		
21	7.343-201.0	Lock washer 6-FST-PHR DIN 6799	1	PC		
22	6.362-472.0	O-Ring seal 6,0 X 1,0-NBR 70	6	PC		
23	4.127-009.0	Extension	1	PC		
24	5.029-257.0	Suction tube aluminium	1	PC	L = 630MM	
24	5.029-283.0	Suction tube window nozzle	1	PC	L = 166MM	
25	7.306-024.0	Cylinder head screw M6x30 -8.8-A2E ISO4762	2	PC		
26	7.312-292.0	Washer 6 -A2 ISO 7093-1	2	PC		
27	7.311-571.0	Square nut M6 -05-A2E DIN 557	2	PC		
28	4.130-124.0	Carpet nozzle	1	PC		
29	4.310-011.0	Nut left hand thread only for replacemen	1	PC		

9030 Floor tool complete

Professional \ Spray extraction \ Boels Puzzi 10/1 *EU \ Spare parts list Puzzi 10/1 *EU \ Accessories \ Floor tool complete

KÄRCHER

POS	Article no.	Description	Quantity	Unit	Remark	Foot note text
31	5.127-021.0	Extension	1	PC		
33	5.777-027.0	Cover suction nozzle	1	PC		
35	5.765-079.0	Spray nozzle yellow	1	PC		YELLOW 2,0L/MIN (SEE RATING PLATE)
35	5.765-080.0	Spray nozzle black	1	PC		BLACK 1,0L/MIN (SEE RATING PLATE)
36	6.362-384.0	O-Ring seal 9x1,5 - NBR 70	1	PC		
37	7.815-131.0	Cranked wrench key 5,0-St ISO 2936	1	PC		