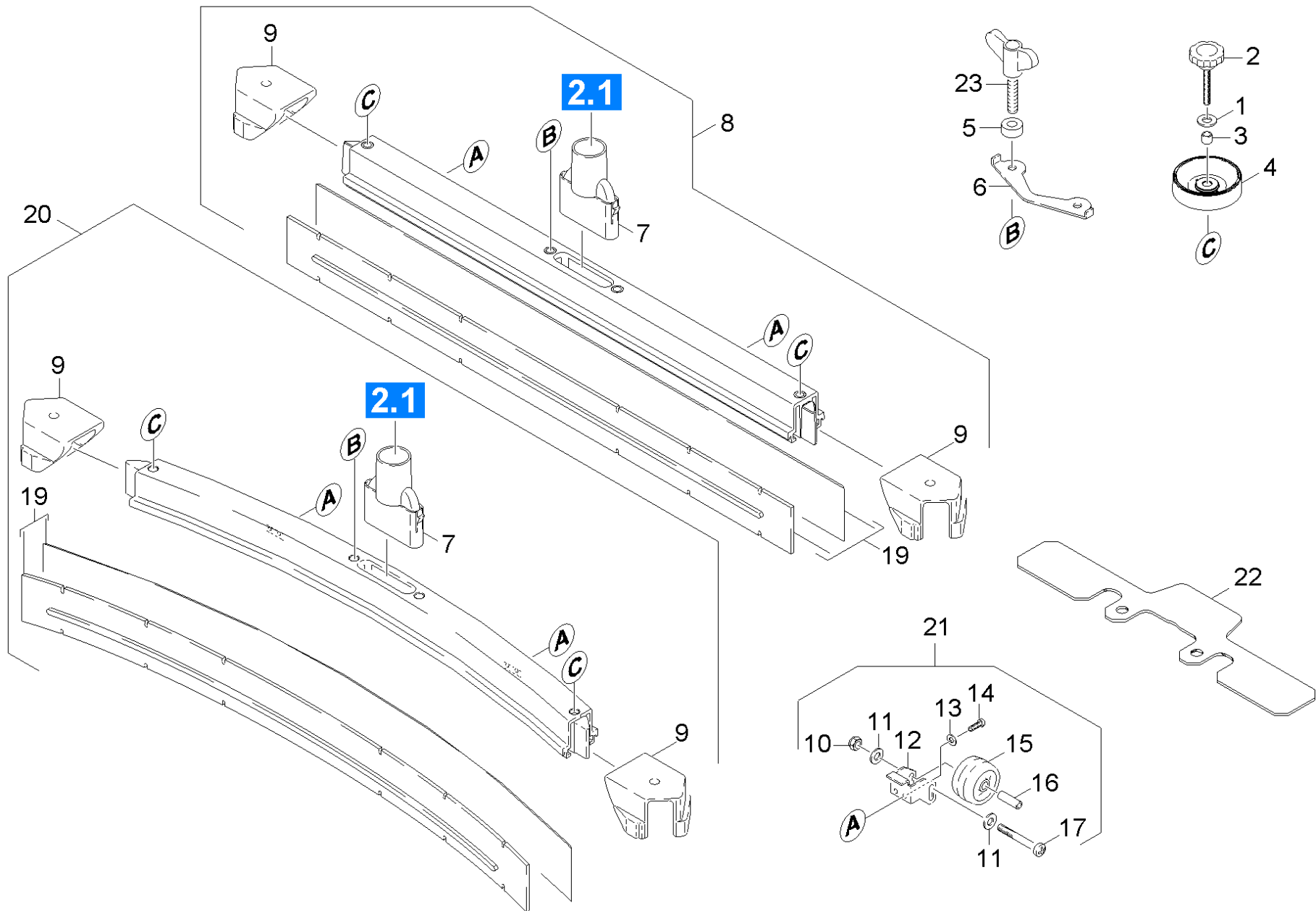


# 52 Suction bar

Professional \ Floor cleaner \ Walk behind \ BD 65/80 W Bp \*EU \ Spare parts list B 80 W \ Suction bar \ Suction bar



## 52 Suction bar

Professional \ Floor cleaner \ Walk behind \ BD 65/80 W Bp \*EU \ Spare parts list B 80 W \ Suction bar \ Suction bar

**KÄRCHER**

POS	Article no.	Description	Quantity	Unit	Foot note text
22	5.128-339.0	Additional weight suction bar	1	PC	
21	2.639-561.0	Add-on kit support wheels suction bar	1	PC	
6	5.007-217.0	Plate	1	PC	
7	5.031-989.0	Suction nipple	1	PC	
8	4.777-302.0	Suction bar 940AB	1	PC	
9	2.885-294.0	End piece left / right spare parts set	1	PC	
20	4.777-055.0	Suction bar curved	1	PC	
19	6.273-214.0	Rubber lip set standard	1	ZSA	STANDARD
19	6.273-208.0	Rubber lip set oil resistant	1	ZSA	
19	6.273-205.0	Rubber lip set anti stripe oil resistant	1	ZSA	
1	7.312-004.0	Washer 8 -200HV-A3E ISO 7089	2	PC	
16	5.105-245.0	Axle	2	PC	
17	7.304-550.0	Hexagonal head screw M 6x45-A4-70 ISO 4	2	PC	
23	5.305-296.0	Wing screw M8x40 VA	2	PC	
15	6.435-401.0	Wheel D54	2	PC	
2	6.321-239.0	Star grip VA Ø50x43	2	PC	
12	5.044-304.0	Holder roller	2	PC	
10	7.311-422.0	Hexagon nut M 6-1.4305 ISO 10511	2	PC	
4	5.515-267.0	Deflector roll	2	PC	
3	5.094-231.0	Sleeve suction bar in VA	2	PC	
14	7.303-037.0	Screw M5x10 -St-P2R (In6Rd)	4	PC	
11	7.312-026.0	Washer 6 -A2 ISO 7089	4	PC	
13	7.312-058.0	Washer 5 -A2 ISO 7089	4	PC	