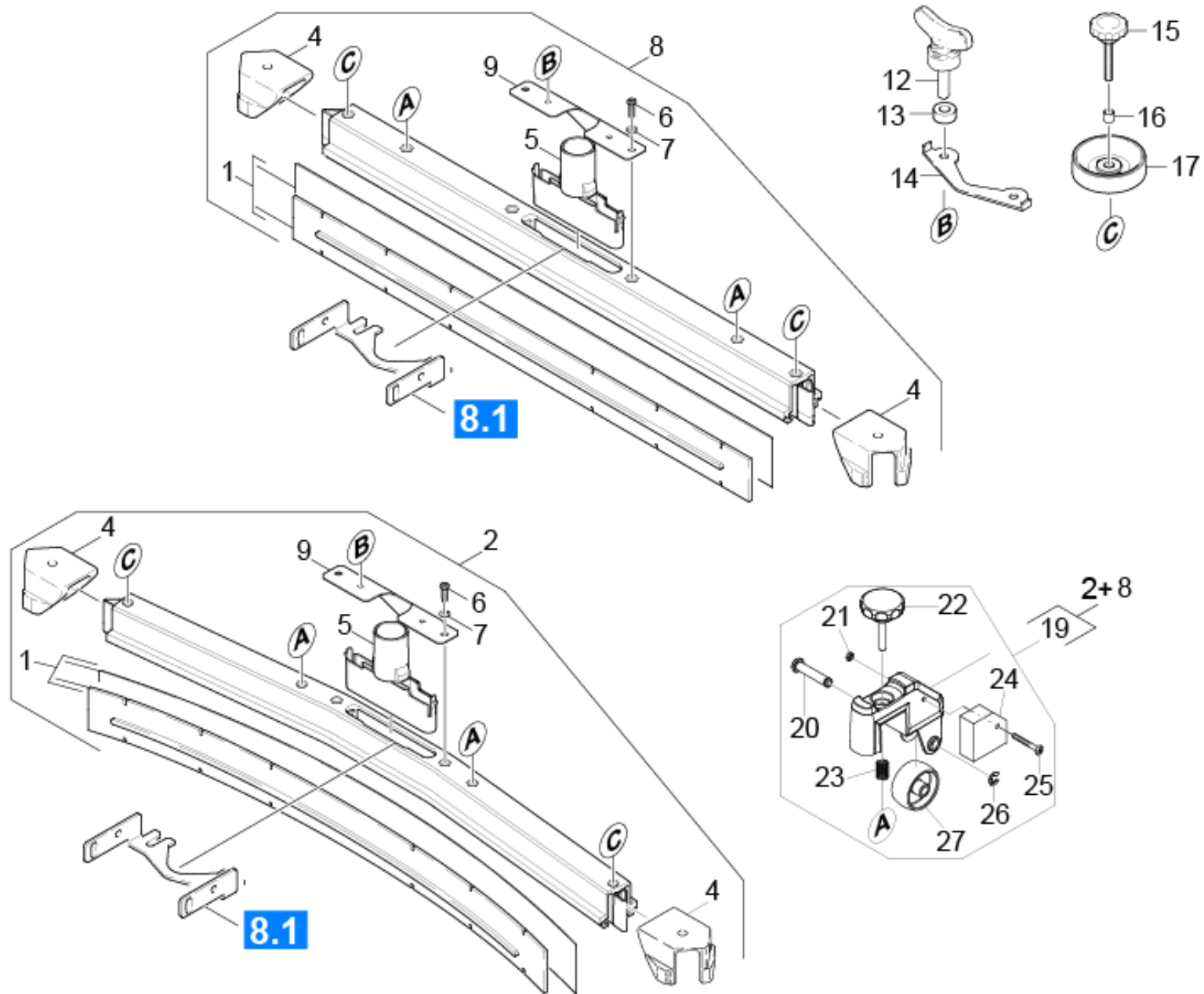


83 Suction bar

Professional \ Floor cleaner \ Walk behind \ B 60 W Bp *EU \ Documentation B 60 W \ Spare parts list B 60 W \ Suction bar \ Suction bar



83 Suction bar

Professional \ Floor cleaner \ Walk behind \ B 60 W Bp *EU \ Documentation B 60 W \ Spare parts list B 60 W \ Suction bar \ Suction bar



POS	Article no.	Description	Quantity	Unit	Remark	Foot note text
19	2.640-023.0	Add-on kit rollers suction bar	1.000	ST		
1	6.273-290.0	BLADES FOR TEXTURED FLOORS	1.000	ST	(890mm)	CLOSED, OIL RESISTANT
1	6.273-291.0	BLADES FOR TEXTURED FLOORS	1.000	ST	(980mm)	CLOSED, OIL RESISTANT
20	5.317-781.0	Bolt roller	2.000	ST		
6	7.306-142.0	Cylinder head screw M 8x25-A4-70 ISO 47	2.000	ST		
17	5.515-346.0	Deflector roll suction bar D120	2.000	ST		
4	2.885-294.0	End piece left / right spare parts set	1.000	ST		
21	7.311-431.0	Hexagon nut M 5-1.4305 DIN 985	2.000	ST		
26	7.343-303.0	Locking ring 8-A2 DIN 6799	2.000	ST		
14	5.007-217.0	Plate	2.000	ST		
23	5.332-504.0	Pressure spring	2.000	ST		
19	4.035-339.0	Roller suction bar	2.000	ST		
1	6.273-229.0	Rubber lip set anti stripe oil resistant	1.000	ST	(890mm)	ANTI-STRIP, OIL RESISTANT
1	6.273-205.0	Rubber lip set anti stripe oil resistant	1.000	ZSA	(980mm)	ANTI-STRIP, OIL RESISTANT
1	6.273-208.0	Rubber lip set oil resistant	1.000	ZSA	(980mm)	OIL RESISTANT
1	6.273-207.0	Rubber lip set oil resistant BR-BD530,55	1.000	ZSA	(890mm)	OIL RESISTANT
25	7.306-185.0	Screw M5x 35-A2-70 (IN6RD)	2.000	ST		
16	5.094-231.0	Sleeve suction bar in VA	2.000	ST		
15	6.321-239.0	Star grip VA Ø50x43	2.000	ST		
22	6.321-240.0	Star grip with inscription VA Ø50x43	2.000	ST		
24	7.777-999.0	Stockpiling discontinued	2.000	ST		
2	4.777-411.0	Suction bar curved 850mm	1.000	ST	(890mmm)	
2	4.777-412.0	Suction bar curved 940mm	1.000	ST	(980mm)	
8	4.777-401.0	Suction bar straight 850mm	1.000	ST	(890mm)	
8	4.777-402.0	Suction bar straight 940mm	1.000	ST	(980mm)	
9	5.100-559.0	Suction bar support plate	1.000	ST		
5	5.033-601.0	Suction nipple	1.000	ST		
7	7.312-017.0	Washer 8-A2 ISO 7089	2.000	ST		
27	6.435-401.0	Wheel D54	2.000	ST		
12	5.305-008.0	Wing screw M8x30 VA	2.000	ST		