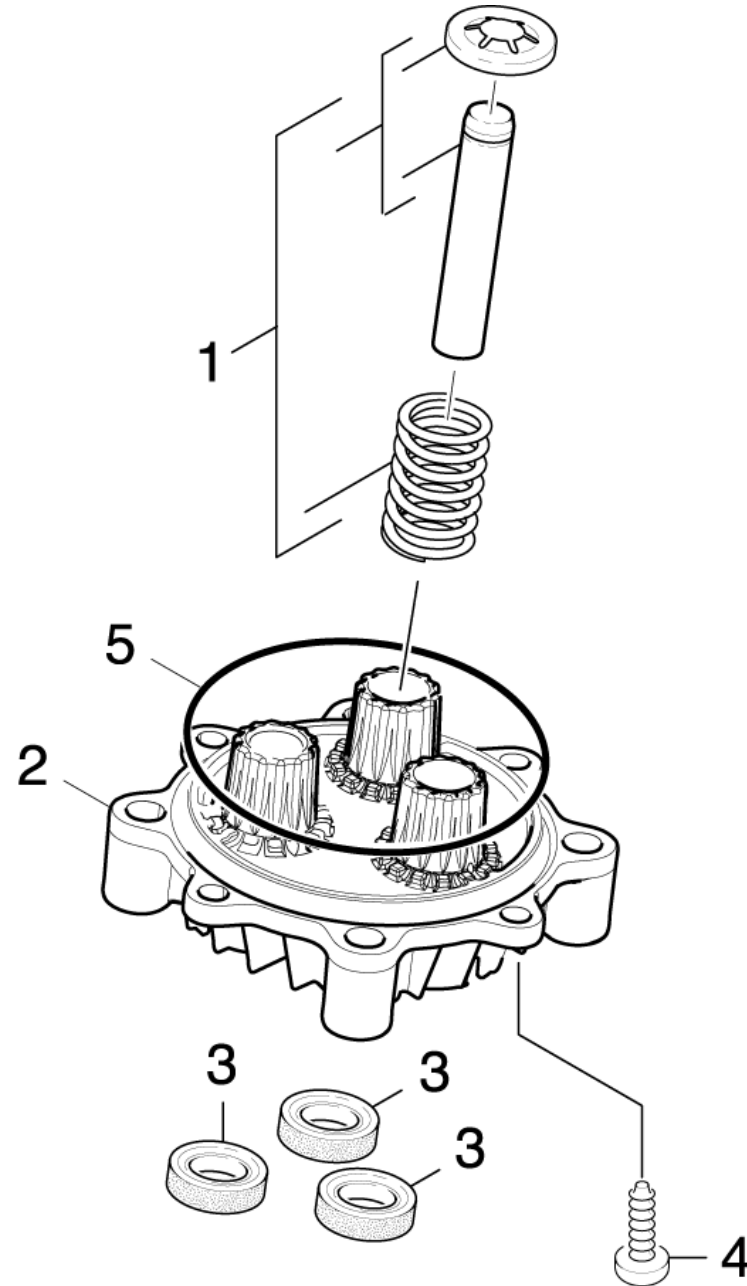


22 Thrust guidance

Professional \ High pressure cleaner cold water \ Electric motor \ HD 6/13 C Plus *GB \ Spare parts list HD 5/12 C_6/13 C \ PUMP SET \ Thrust guidance

KÄRCHER



22 Thrust guidance

Professional \ High pressure cleaner cold water \ Electric motor \ HD 6/13 C Plus *GB \ Spare parts list HD 5/12 C_6/13 C \ PUMP SET \ Thrust guidance



POS	Article no.	Description	Quantity	Unit
3	6.365-001.0	Grooved ring 12x20x4/6	3.000	ST
5	6.363-077.0	O-Ring seal 75x3	1.000	ST
1	4.553-230.0	Piston complete	3.000	ST
	Item text1: / 1.514-101.0 /-103.0 /-104.0 /-105.0 /-112.0 /-113.0 /-123.0 /-124.0 /-151.0 /-503.0 /-507.0 /-508.0			
1	4.553-302.0	Piston complete only for replacement	3.000	ST
	Item text1: 1.514-110.0 /-127.0			
1	4.553-301.0	Piston complete only for replacement	3.000	ST
	Item text1: 1.514-109.0			
1	4.553-231.0	Piston complete only for replacement	3.000	ST
	Item text1: / 1.514-201.0 / -203.0 / -204.0			
	Item text2: / -251.0 / -252.0 / -255.0			
1	4.553-273.0	Piston complete only for replacement	3.000	ST
	Item text1: / 1.514-205.0 /-206.0 /-207.0			
1	4.553-237.0	Piston D12 *CDN	3.000	ST
	Item text1: / 1.514-106.0 / -111.0			
4	7.303-047.0	Screw M6x16 -St-R3R (In6Rd)	2.000	ST
2	5.061-018.3	Thrust guidance	1.000	ST