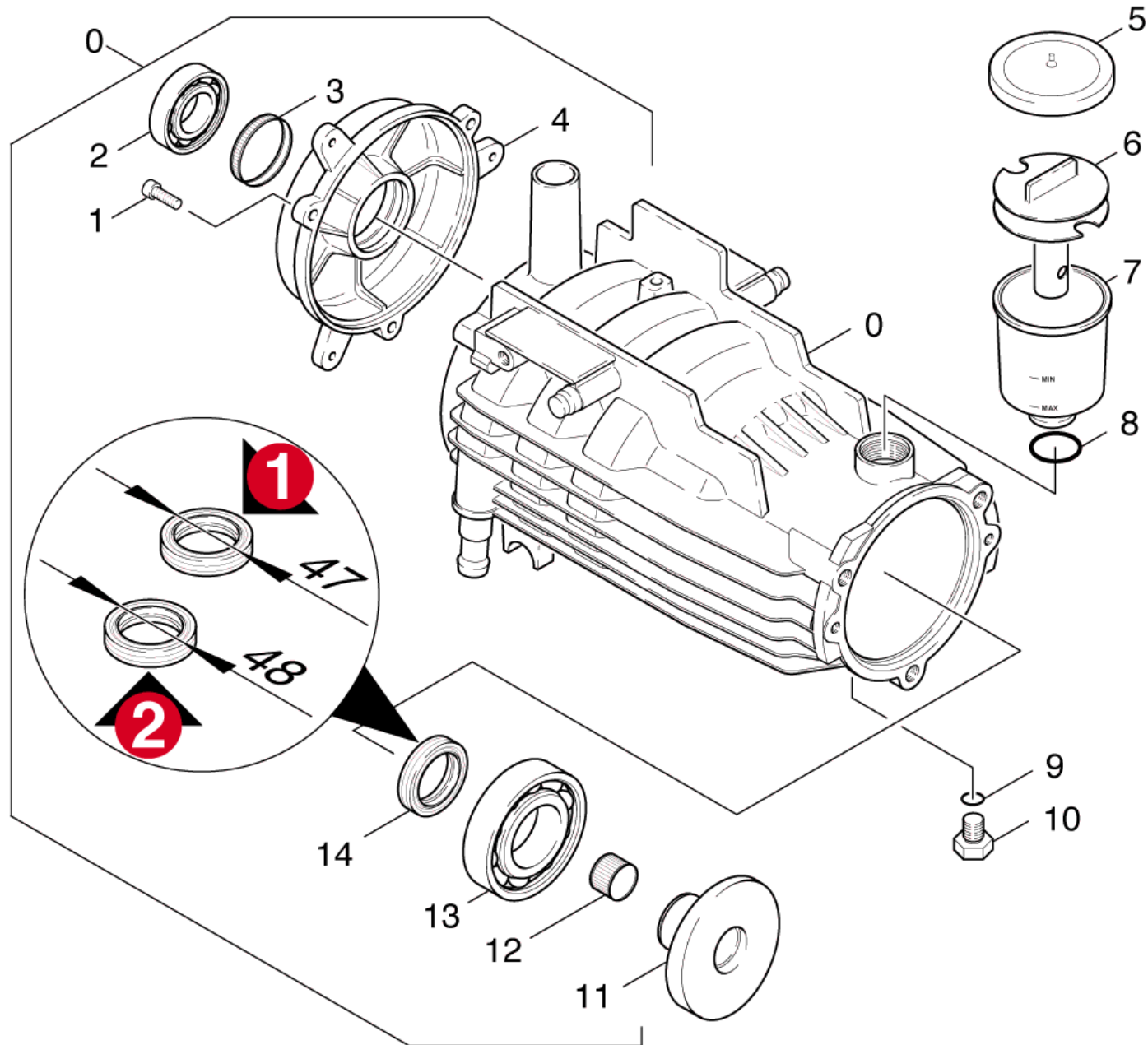


32 Transmission

Professional \ High pressure cleaner hotwater \ Electric motor \ HDS 797 CI * VEX \ Spare parts list HDS 797 CI * VEX \ Motor \ Transmission



32 Transmission

Professional \ High pressure cleaner hotwater \ Electric motor \ HDS 797 CI * VEX \ Spare parts list HDS 797 CI *VEX \ Motor \ Transmission

KÄRCHER

POS	Article no.	Description	Quantity	Unit	Remark
2	7.401-126.0	Ball bearing 6204-2Z -Wälzl.St DIN 625	1.000	ST	
13	7.401-035.0	Ball bearing 7307B-TN DIN 628	1.000	ST	
7	5.070-048.0	Box	1.000	ST	
5	5.063-189.0	Cover	1.000	ST	
4	5.063-567.0	Cover	1.000	ST	
6	5.030-389.0	Moulded part	1.000	ST	
9	6.362-528.0	O-Ring seal 9,5 X 2,0	1.000	ST	
8	6.362-168.0	O-Ring seal 22,3 X 2,4-NBR 70	1.000	ST	
14	7.367-017.0	Radial shaft seal ring A28x47x7-NBR DIN	1.000	ST	VERSION 1
14	7.367-007.0	Radial shaft seal ring A28x48x8 -NBR DI	1.000	ST	VERSION 2
1	7.303-048.0	Screw M6x20 -St-R3R (In6Rd)	3.000	ST	
10	5.411-102.0	Screw plug	1.000	ST	
0	7.777-999.0	Stockpiling discontinued	1.000	ST	
12	6.343-024.0	Tolerance ring	1.000	ST	
3	6.343-029.0	Tolerance ring 47X8	1.000	ST	
11	5.120-171.0	Wobble plate	1.000	ST	