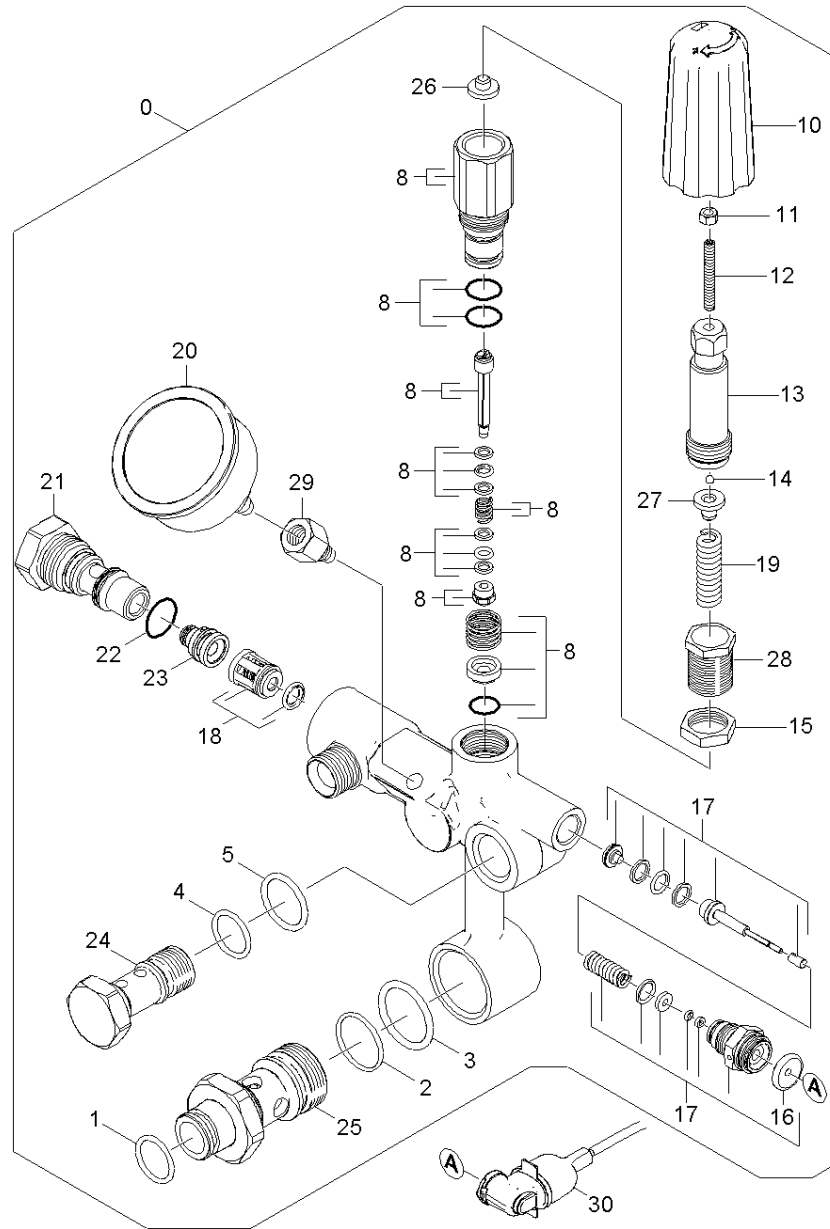


22 Excess-current

Overview technical documents/Professional/Industrial cleaning systems/Maximum pressure cleaners/HD 9/50-4 (1.367-156.0)/Spare parts list HD 9/50-4 400V/20 Pump set/22 Excess-current



22 Excess-current

Overview technical documents/Professional/Industrial cleaning systems/Maximum pressure cleaners/HD 9/50-4 (1.367-156.0)/Spare parts list HD 9/50-4 400V/20 Pump set/22 Excess-current

Rez.daļas/nodil.pakļ.daļas	Poz.	Materiāla Nr.	Nosaukums	Daudzums	Pārdoš. vienība
X-X	26	5.584-145.0	Valve pin excess-current	1.000	ST
X-X	25	5.304-096.0	Hollow screw intake	1.000	ST
X-X	19	5.332-963.0	Helical spring 50 MPa	1.000	ST
X-X	23	5.769-201.0	Control injector	1.000	ST
X-X	2	6.362-511.0	Gredzenblīve 31,47X 1,78	1.000	ST
X-X	22	6.363-420.0	Gredzenblīve 18,72 x 2,62 PUR 94	1.000	ST
X-X	27	5.582-142.0	Bush	1.000	ST
X-X	18	4.580-740.0	Valve complete	1.000	ST
X-X	5	6.362-579.0	Gredzenblīve 17,5 X 3,5	1.000	ST
X-X	8	2.885-113.0	Spare part set	1.000	ST
X-X	1	6.363-006.0	O-Ring seal 20X2,8	1.000	ST
X-X	17	2.885-163.0	Spare parts set control piston 50 MPa	1.000	ST
X-X	30	4.744-234.0	Switch complete	1.000	ST
X	0	4.580-810.0	Excess-current complete 50 MPa	1.000	ST
X	10	5.322-103.0	Handle	1.000	ST
	13	5.304-070.0	Skrūve ar sešstūru galvu	1.000	ST
	14	7.401-921.0	Sphere 4 G20 -1.4034 DIN 5401	1.000	ST
	11	7.311-002.0	hexagon nut	1.000	ST
	12	7.307-017.0	threaded pin	1.000	ST
	15	5.311-204.0	Sešstūra uzgrieznis M22 x 1,5	1.000	ST
	20	6.421-357.0	Pressure gauge 0-80 MPa	1.000	ST
	16	5.367-030.0	Membrāna	1.000	ST
	3	6.363-453.0	Gredzenblīve 29,75 x 3,53	1.000	ST
	4	6.362-161.0	Gredzenblīve 19,3 X 2,4	1.000	ST
	29	5.401-313.0	Screw connector part	1.000	ST

22 Excess-current

Overview technical documents/Professional/Industrial cleaning systems/Maximum pressure cleaners/HD 9/50-4 (1.367-156.0)/Spare parts list HD 9/50-4 400V/20 Pump set/22 Excess-current

Rez.daļas/nodil.pakļ.daļas	Poz.	Materiāla Nr.	Nosaukums	Daudzums	Pārdoš. vienība
	28	5.404-082.0	hollow screw	1.000	ST
	21	5.402-731.0	Screw union	1.000	ST
	24	5.304-102.0	Hollow screw	1.000	ST