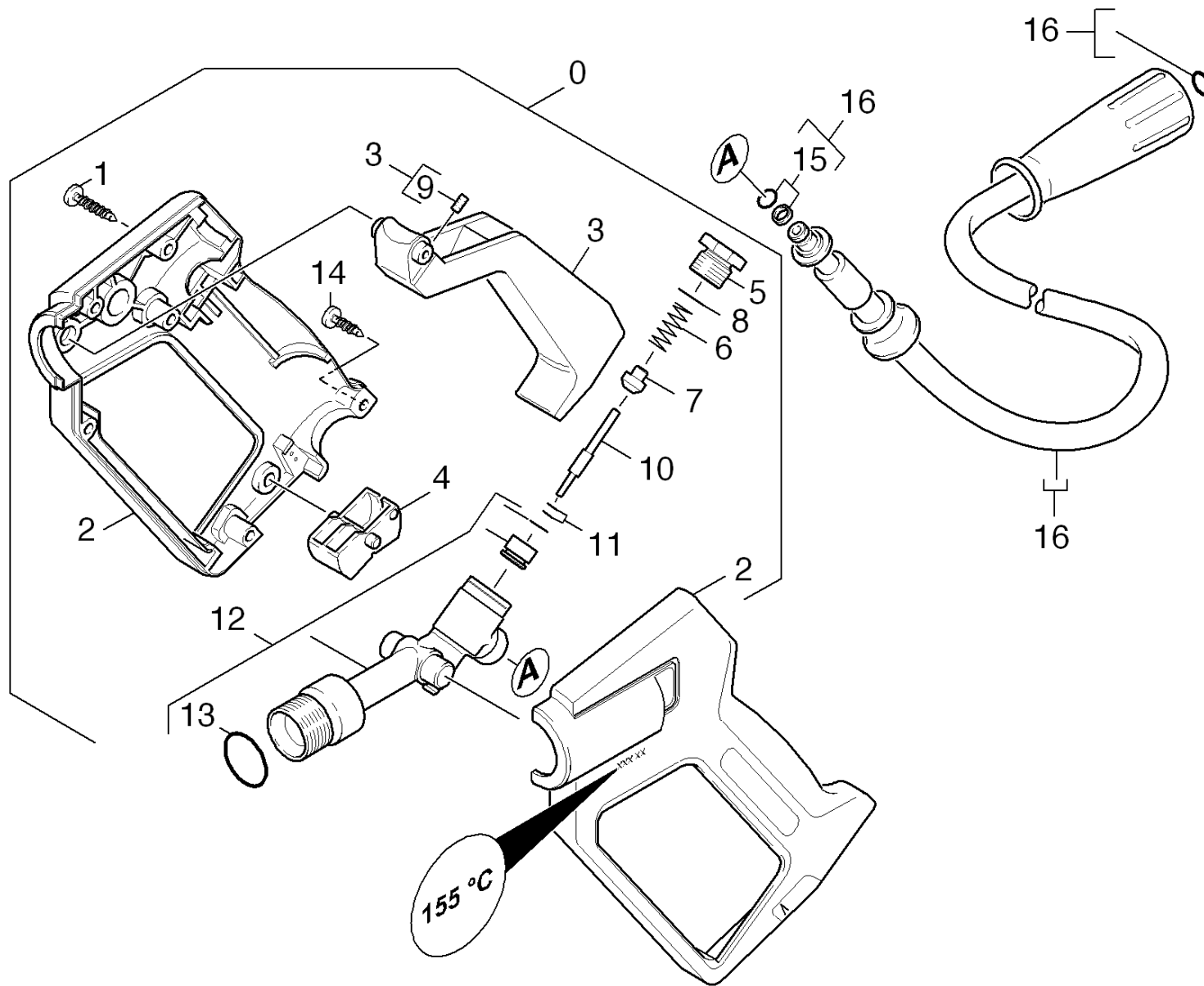


# 41 Hand trigger gun

Overview technical documents/Professional/High pressure cleaner cold water/Electric motor/HD 640 S-PLUS \*EU (1.095-901.0)/Spare parts list HD 640 S/40 Accessories/41 Hand trigger gun



## 41 Hand trigger gun

Overview technical documents/Professional/High pressure cleaner cold water/Electric motor/HD 640 S-PLUS \*EU (1.095-901.0)/Spare parts list HD 640 S/40 Accessories/41 Hand trigger gun

Poz.	Materiāla Nr.	Nosaukums	Daudzums	Pārdoš. vienība	no sēr. Nr..	līdz sēr. Nr.
0	4.775-080.0	Hand trigger gun replacement	1.000	ST	0000000000	0000000000
Pozīcijas teksts: / 1.979-701.0						
1	7.303-096.0	Skrūve 4x22 -ST-10.9-R2R (IN6RD)	6.000	ST	0000000000	0000000000
2	5.321-230.0	Handhold few	1.000	ST	0000000000	0000000000
3	4.481-050.0	Lever	1.000	ST	0000000000	0000000000
Pozīcijas teksts: / 1.979-701.0						
4	5.481-052.0	Lever	1.000	ST	0000000000	0000000000
5	5.411-067.0	Screw plug	1.000	ST	0000000000	0000000000
6	5.332-157.0	Spirālveida atspere	1.000	ST	0000000000	0000000000
7	5.582-084.0	Valve disc	1.000	ST	0000000000	0000000000
8	6.362-584.0	Gredzenblīve 12,42X 1,78	1.000	ST	0000000000	0000000000
9	7.307-417.0	Tapa ar vītņi M8x16 -45H-A2E ISO 4026	1.000	ST	0000000000	0000000000
10	5.107-097.0	bar	1.000	ST	0000000000	0000000000
11	6.362-571.0	Gredzenblīve, pilns komplekts 1ST.-R.	1.000	ST	0000000000	0000000000
12	4.427-131.0	Manifold	1.000	ST	0000000000	0000000000
Pozīcijas teksts: / 1.979-701.0						
13	6.362-496.0	Gredzenblīve 17,12X 2,62-NBR 70	1.000	ST	0000000000	0000000000
14	6.303-025.0	Oval head screw 4,2x16-St-vz	1.000	ST	0000000000	0000000000
15	6.363-115.0	Gredzenblīve, pilns komplekts 1ST.-R.	1.000	ST	0000000000	0000000000
16	6.389-853.0	Augstspiediena šļūtene DN6 10m	1.000	ST	0000000000	0000000000
17	2.880-990.0	spare part set o ring from 2.880-296.0	1.000	ST	0000000000	0000000000
100	2.883-192.0	Spare part set 1450HW,1500HWS+SUPE	1.000	ST	0000000000	0000000000