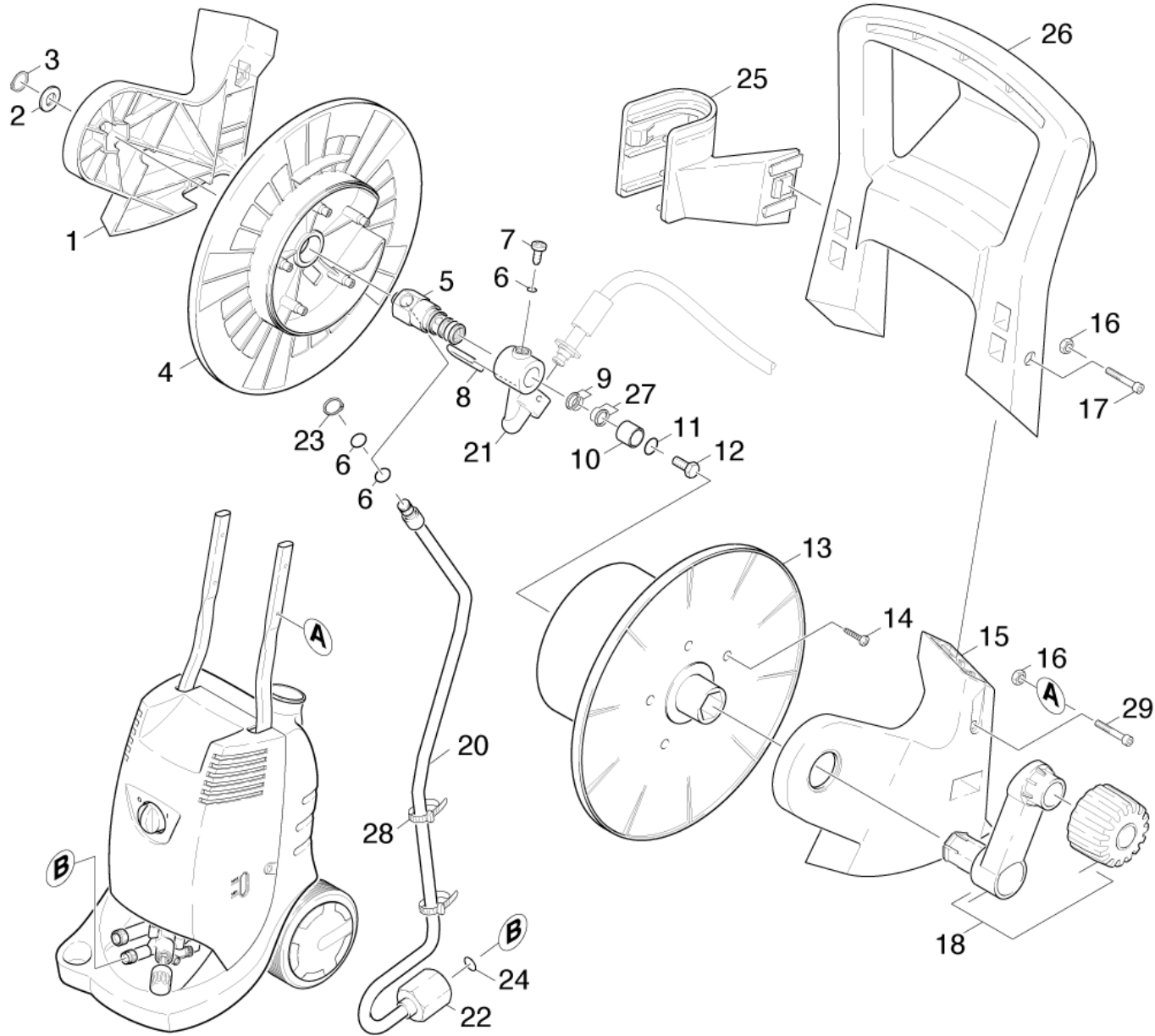


12 Hose reel

Overview technical documents/Professional/High pressure cleaner cold water/Electric motor/HD 650 (1.150-201.0)/Spare parts list HD 650SX *EUR 230V,1 PH/10 Individual parts/12 Hose reel



12 Hose reel

Overview technical documents/Professional/High pressure cleaner cold water/Electric motor/HD 650 (1.150-201.0)/Spare parts list HD 650SX *EUR 230V,1 PH/10 Individual parts/12 Hose reel

Rez.daļas/nodil.pakļ.daļas	Poz.	Materiāla Nr.	Nosaukums	Daudzums	Pārdoš. vienība	no sēr. Nr..	līdz sēr. Nr.
	1	5.031-646.0	Moulded part left	1.000	ST	0000000000	0000000000
	2	7.312-062.0	Washer 10-Kunststoff ISO7089	1.000	ST	0000000000	0000000000
	3	7.343-303.0	Locking ring 8-A2 DIN 6799	1.000	ST	0000000000	0000000000
	4	5.031-647.0	Moulded part	1.000	ST	0000000000	0000000000
	5	5.108-190.0	Pin	1.000	ST	0000000000	0000000000
	6	6.362-176.0	Gredzenblīve 6,07x1,78	3.000	ST	0000000000	0000000000
	7	7.304-545.0	Hexagonal head screw M 6x6-8.8-A2E ISO	1.000	ST	0000000000	0000000000
X	8	4.037-013.0	Spare part	1.000	ST	0000000000	0000000000
X-X	9	4.363-693.0	O-Ring seal kpl. -nur fuer Ersatz-	1.000	ST	0000000000	0000000000
	10	5.110-818.0	Sleeve	1.000	ST	0000000000	0000000000
	11	6.362-101.0	Gredzenblīve 8 X 2	1.000	ST	0000000000	0000000000
	12	5.304-071.0	Hexagonal head screw M 8X12	1.000	ST	0000000000	0000000000
	13	5.031-702.0	Moulded part	1.000	ST	0000000000	0000000000
	14	7.303-096.0	Skrūve 4x22 -ST-10.9-R2R (IN6RD)	5.000	ST	0000000000	0000000000
	15	5.031-645.0	Moulded part right	1.000	ST	0000000000	0000000000
	16	7.311-003.0	Hexagon nut M6 -8-A2E ISO 4032	4.000	ST	0000000000	0000000000
	17	7.306-024.0	Cylinder head screw M6x30 -8.8-A2E ISO4	2.000	ST	0000000000	0000000000
X-X	18	4.481-157.0	Lever complete	1.000	ST	0000000000	0000000000
	20	4.421-578.0	Pipelines complete	1.000	ST	0000000000	0000000000
	21	5.427-248.0	Cauruļvads	1.000	ST	0000000000	0000000000
	22	5.311-206.0	Union nut	1.000	ST	0000000000	0000000000
	23	7.343-300.0	Sprostpaplāksne 7-A2 DIN 6799	1.000	ST	0000000000	0000000000
	24	2.880-990.0	spare part set o ring from 2.880-296.0	1.000	ST	0000000000	0000000000
X	25	5.044-082.0	Pistoles turētājs	1.000	ST	0000000000	0000000000
	26	5.034-542.0	Shearing shackle	1.000	ST	0000000000	0000000000

12 Hose reel

Overview technical documents/Professional/High pressure cleaner cold water/Electric motor/HD 650 (1.150-201.0)/Spare parts list HD 650SX *EUR 230V,1 PH/10 Individual parts/12 Hose reel

Rez.daļas/nodil.pakļ.daļas	Poz.	Materiāla Nr.	Nosaukums	Daudzums	Pārdoš. vienība	no sēr. Nr..	līdz sēr. Nr.
X-X	27	6.362-575.0	Gredzenblīve 12,42 KOMPL	1.000	ST	0000000000	0000000000
	28	6.641-458.0	Cable tape	2.000	ST	0000000000	0000000000
	29	7.306-129.0	Skrūve M6x40 -8.8-R3R (In6Rd)	2.000	ST	0000000000	0000000000