

Spare parts list

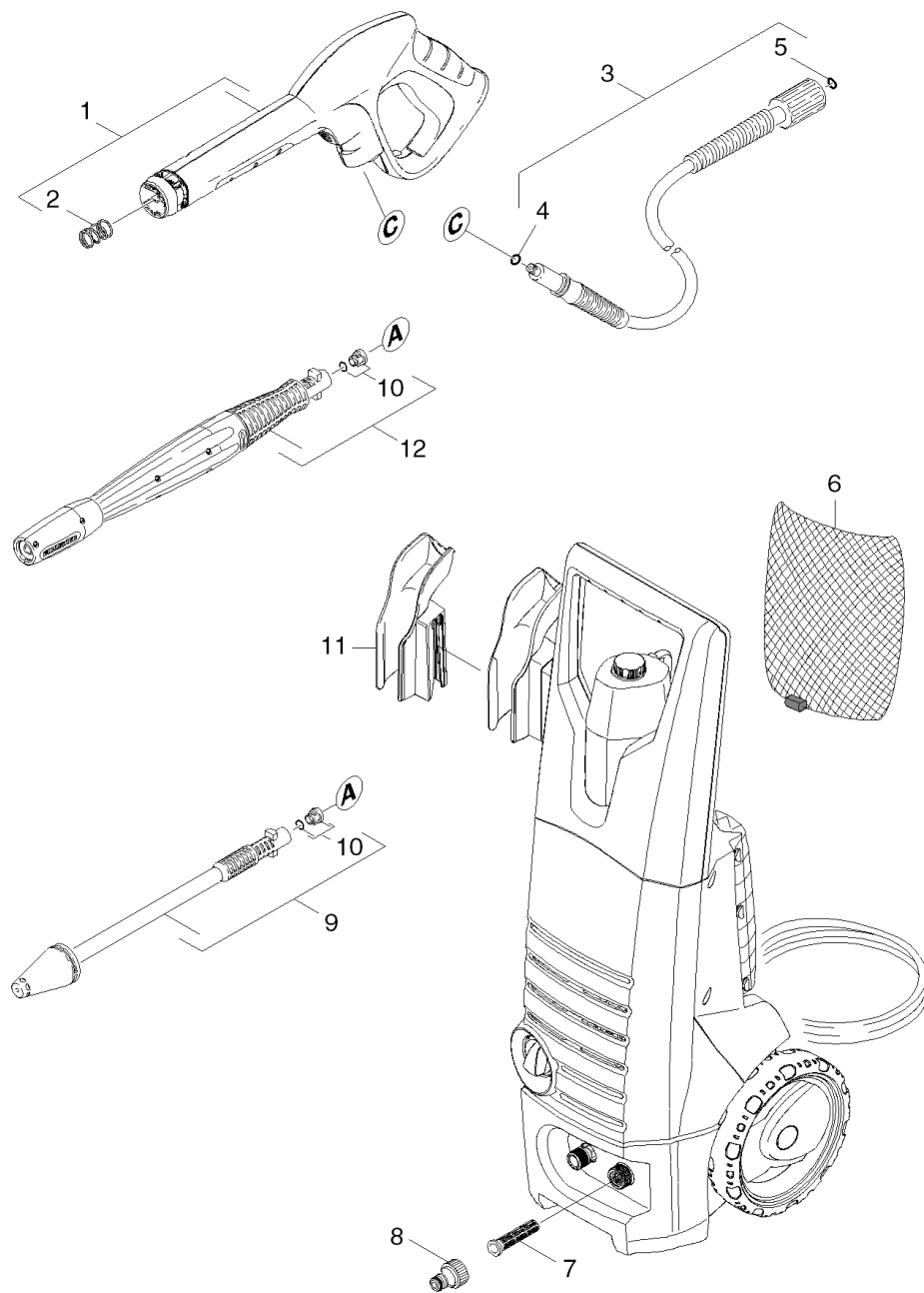
(1.950-400.0) K 5.70 MD Plus *EU

Table of contents

K 5.70 MD Plus *EU (1.950-400.0)	3
Short spare parts list	4
201 Spare parts list K5.70MD-Plus *EU (5.970-868.0)	6
10 Housing	7
20 Pump set	9
21 Housing	10
8 High-pressure outlet complete K5.91M (4.025-894.0)	12
13 Spare part set control head (9.001-800.0)	14
70 Nozzle insert (4.769-035.0)	16
15 Pump head Alu FC ric (9.002-456.0)	18
23 Nozzle insert (4.769-035.0)	20
22 Thrust guidance	22
30 Motor	24
40 Accessories	26
41 Hand trigger gun	27
G 180 Q Trigger gun Quick Connect (2.642-889.0)	29
2 High pressure hose 16MPa/9m 60°C, verp. (2.641-706.0)	31
42 Jet pipe	33
2 Dirt blaster 031 St - CEM 14,5MPa (4.764-281.0)	35
3 VPS K5 0287 (4.760-527.0)	37
43 Surface cleaner	39
1 Single-step jet pipe extension (2.643-240.0)	41
7 Spare parts nozzles T-Racer (2.643-338.0)	43
44 Surface cleaner	46
1 Single-step jet pipe extension (2.643-240.0)	48
7 Spare parts nozzles T-Racer (2.643-338.0)	50
45 Surface cleaner	53
23 Spare parts nozzles T-Racer (2.643-338.0)	55
23 Spare parts nozzles T-Racer (2.643-338.0)	58

K 5.70 MD Plus *EU (1.950-400.0)

POS	Article no.	Description	Quantity	Unit
0		Short spare parts list	1.000	ST
201	5.970-868.0	Spare parts list K5.70MD-Plus *EU	1.000	ST

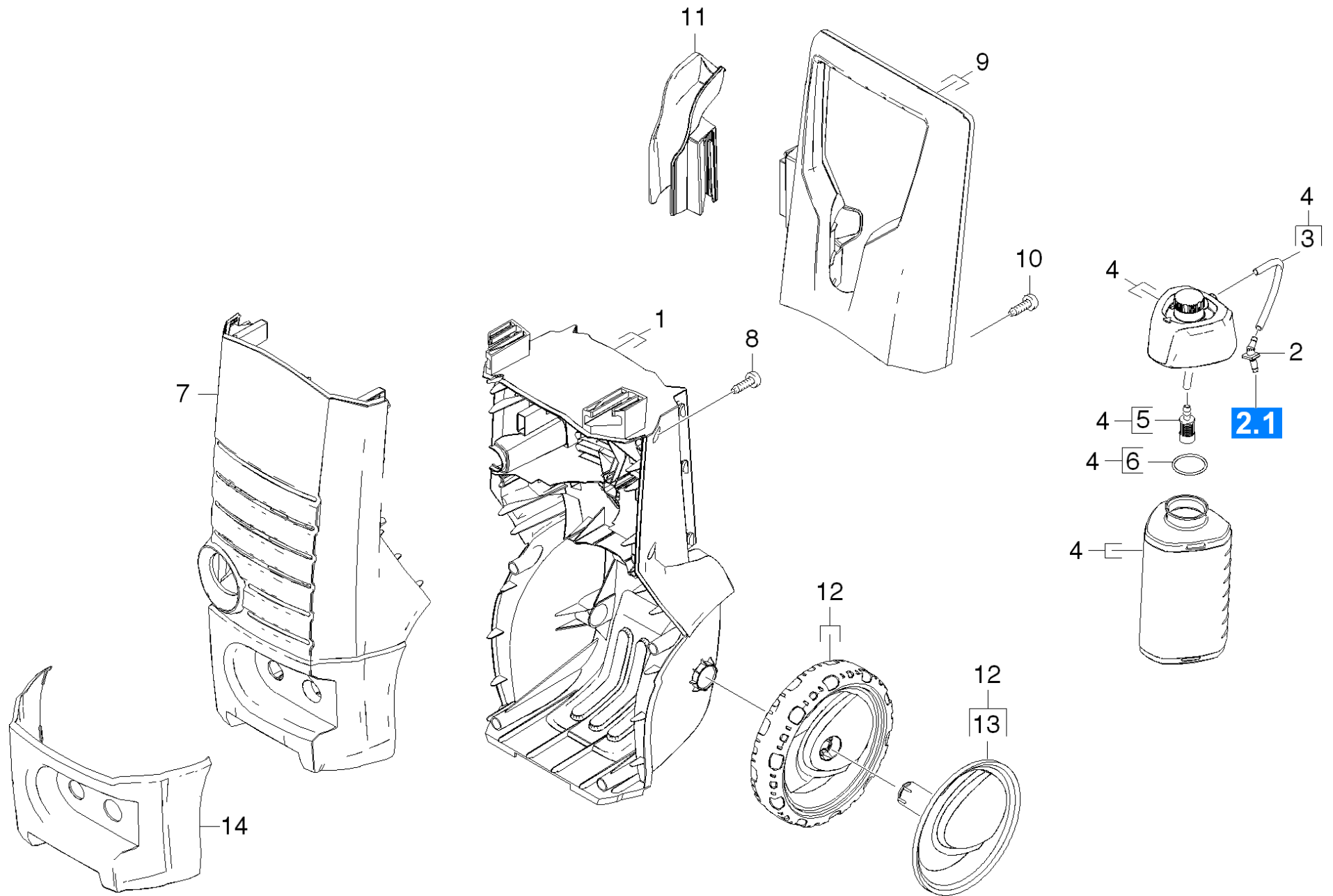


Short spare parts list

POS	Article no.	Description	Quantity	Unit
6	6.276-045.0	Accessories mains	1.000	ST
8	6.389-870.0	Connection 3/4"	1.000	ST
9	2.642-727.0	DB 120 Dirt Blaster (packaged)	1.000	ST
7	5.731-598.0	Fine filter long	1.000	ST
1	2.642-889.0	G 180 Q Trigger gun Quick Connect	1.000	ST
3	2.641-706.0	High pressure hose 16MPa/9m 60°C, verp.	1.000	ST
11	5.321-904.0	Holder pistol	1.000	ST
4	6.363-410.0	O-Ring seal 5,7x1,78 NBR 90Shore	1.000	ST
10	2.640-729.0	O-Ring seal set	2.000	ST
2	5.332-464.0	Pressure spring	1.000	ST
5	2.880-296.0	Spare part set O-Ring seal 5x	1.000	ST
12	4.760-527.0	VPS K5 0287	1.000	ST

201 Spare parts list K5.70MD-Plus *EU (5.970-868.0)

POS	Description	Quantity	Unit
40	Accessories	1.000	ST
10	Housing	1.000	ST
30	Motor	1.000	ST
20	Pump set	1.000	ST

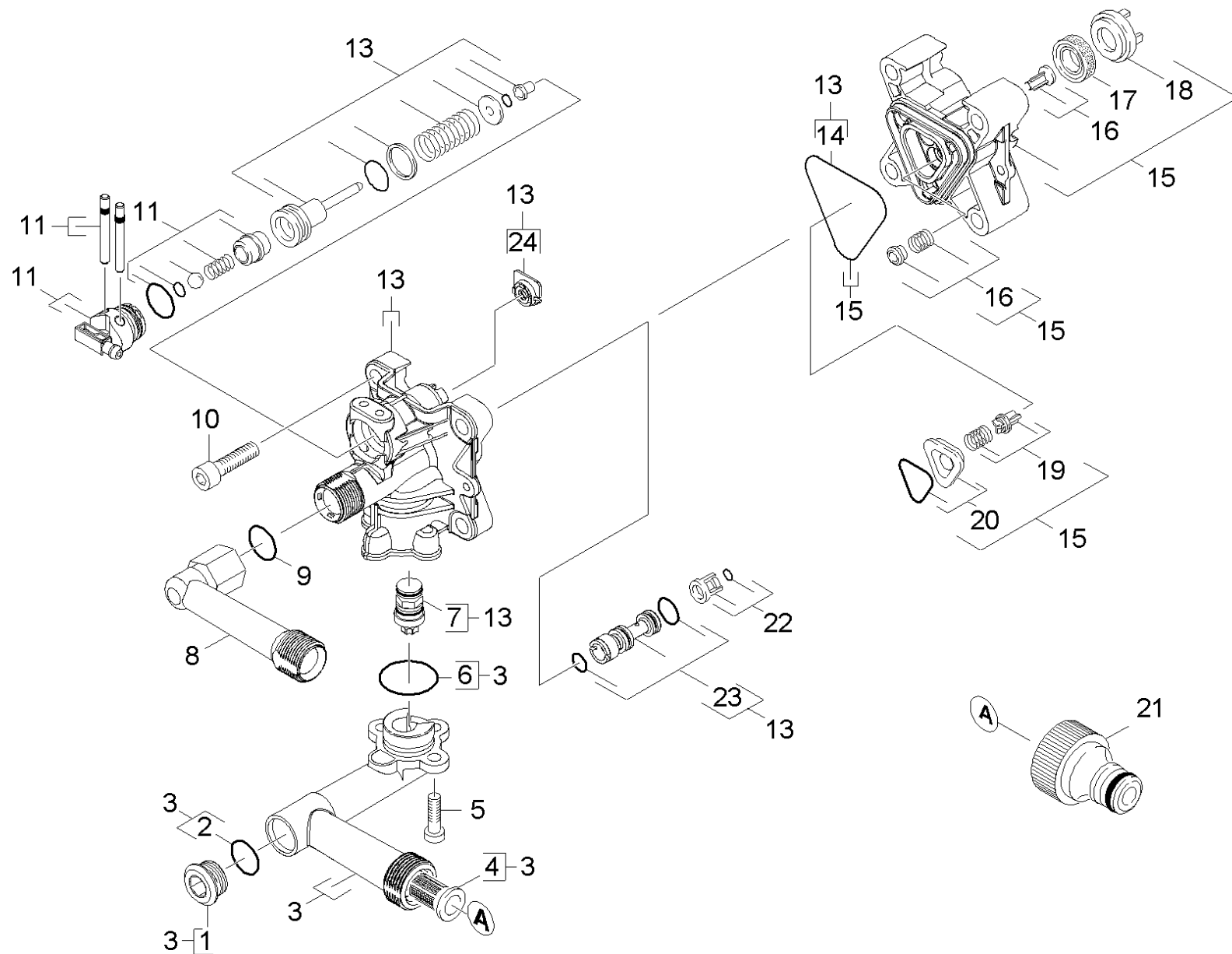


10 Housing

POS	Article no.	Description	Quantity	Unit	Foot note text
1	5.033-217.0	Chassis	1.000	ST	
7	5.033-320.0	Cover neutrally (K4.80)	1.000	ST	
14	5.033-218.0	Design element Bumper	1.000	ST	
5	5.731-652.0	Filter with weight	1.000	ST	
9	5.321-867.0	Handhold complete	1.000	ST	
11	5.321-904.0	Holder pistol	1.000	ST	
3	6.388-216.0	Hose DN 5	1.000	M	TO ORDER AS CUT GOODS
2	9.037-314.0	Nipple	1.000	ST	
6	6.362-740.0	O-Ring seal 34,60X 2,62	1.000	ST	
13	4.515-291.0	Screen for replacement 200 Parabel SF	1.000	ST	
10	9.086-203.0	Screw 4x22	2.000	ST	
8	9.086-173.0	Screw Hi-Lo d.4x22 Torx-d.7,5	8.000	ST	
4	4.063-858.0	Tank cleaning agents complete	1.000	ST	
12	4.515-281.0	Wheel set for replacement Parabel 200	1.000	ST	

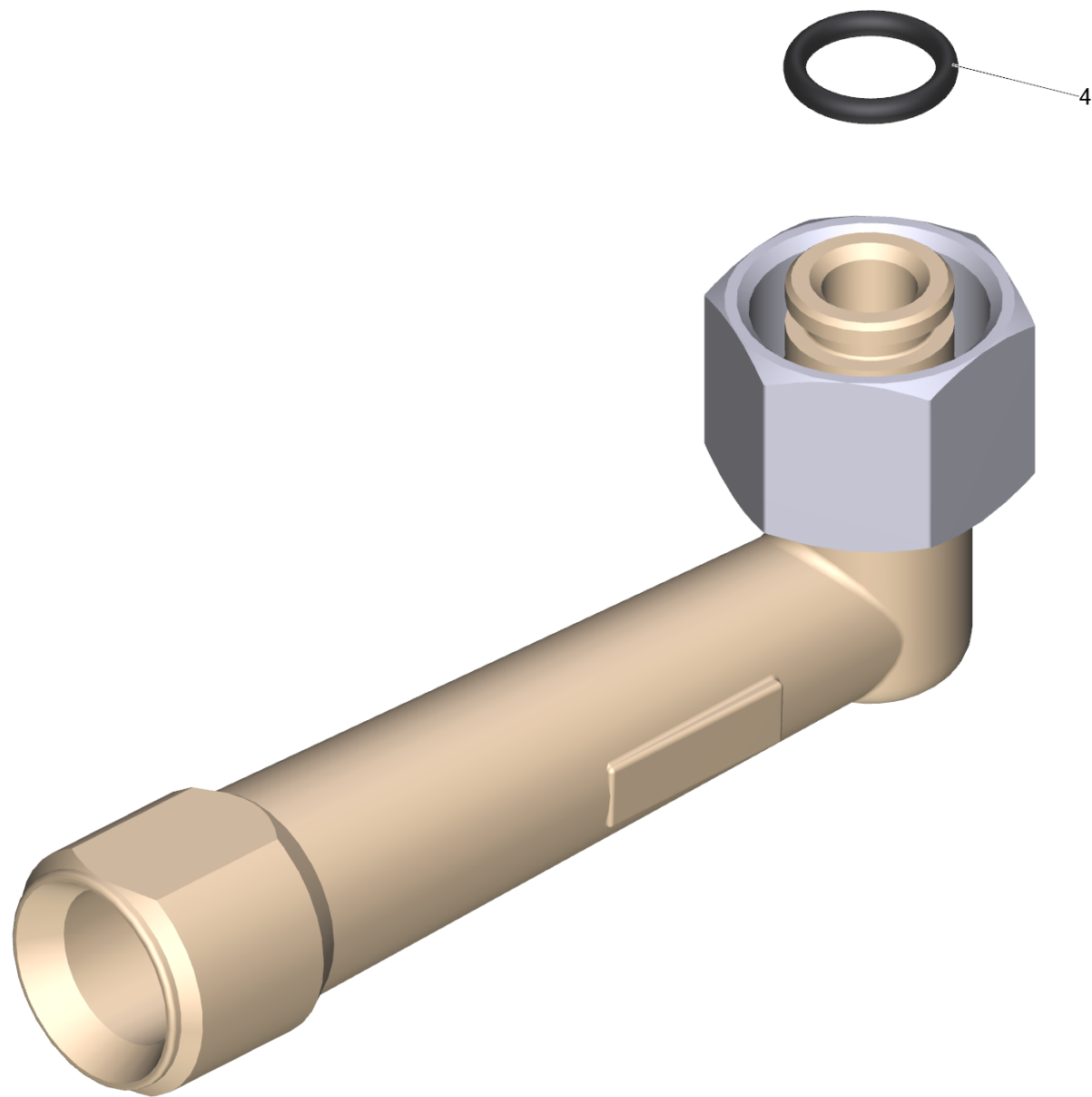
20 Pump set

POS	Description	Quantity	Unit
21	Housing	1.000	ST
22	Thrust guidance	1.000	ST



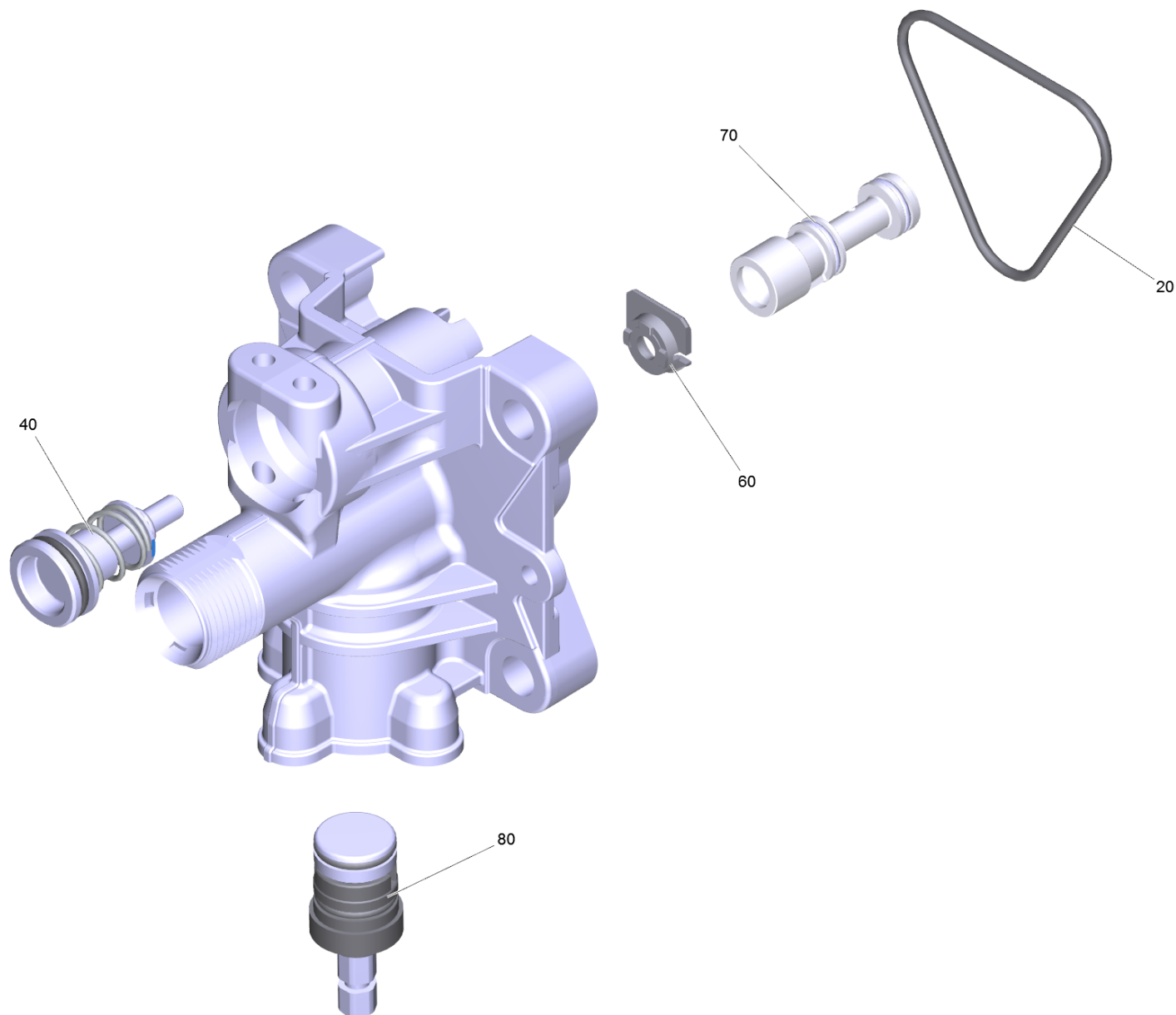
21 Housing

POS	Article no.	Description	Quantity	Unit
22	9.001-819.0	Cage complete	1.000	ST
21	6.465-031.0	Connection 3/4	1.000	ST
3	9.001-278.0	Connection complete	1.000	ST
10	7.306-151.0	Cylinder head screw M8x65 -8.8-A2E ISO4	4.000	ST
24	9.037-142.0	Distance holder	1.000	ST
4	5.731-598.0	Fine filter long	1.000	ST
14	9.081-424.0	Form seal	1.000	ST
17	6.362-875.0	Grooved ring	3.000	ST
8	4.025-894.0	High-pressure outlet complete K5.91M	1.000	ST
20	9.001-276.0	Joining piece	1.000	ST
16	9.001-110.0	Moulded part complete	1.000	ST
23	4.769-035.0	Nozzle insert	1.000	ST
9	6.362-151.0	O-Ring d. 10 x 2 NBR 70	1.000	ST
6	9.081-417.0	O-Ring d.20 x 2	1.000	ST
2	9.081-402.0	O-Ring seal 15x2	1.000	ST
7	9.002-164.0	plastic by pass (spare)	1.000	ST
15	9.002-456.0	Pump head Alu FC ric	1.000	ST
5	9.086-199.0	Screw M6x16	3.000	ST
1	9.036-898.0	Screw plug	1.000	ST
13	9.001-800.0	Spare part set control head	1.000	ST
11	9.001-277.0	Spare parts set chemistry	1.000	ST
18	9.037-059.0	Support ring	3.000	ST
19	9.001-275.0	Valve set	1.000	ST



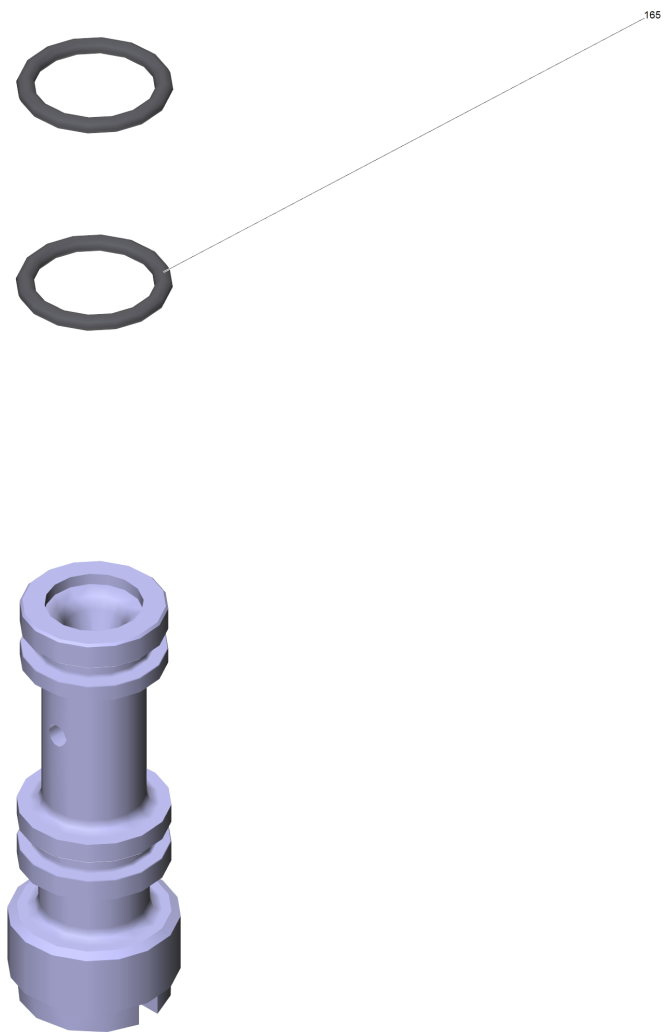
8 High-pressure outlet complete K5.91M (4.025-894.0)

POS	Article no.	Description	Quantity	Unit
4	6.362-151.0	O-Ring d. 10 x 2 NBR 70	1.000	ST



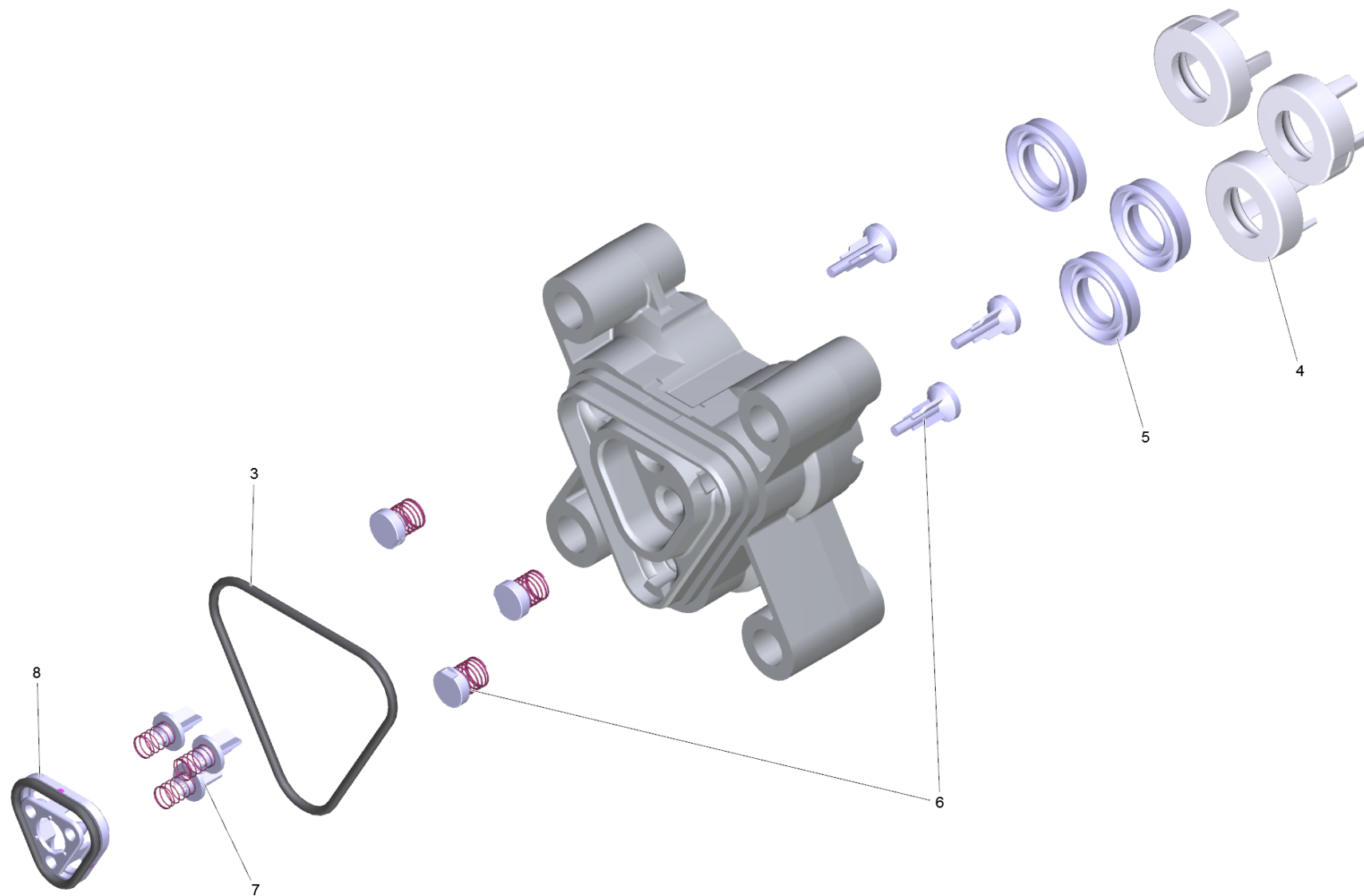
13 Spare part set control head (9.001-800.0)

POS	Article no.	Description	Quantity	Unit
40	9.001-291.0	Control piston set replacement	1.000	ST
60	9.037-142.0	Distance holder	1.000	ST
20	9.081-424.0	Form seal	1.000	ST
70	4.769-035.0	Nozzle insert	1.000	ST
80	9.002-164.0	plastic by pass (spare)	1.000	ST



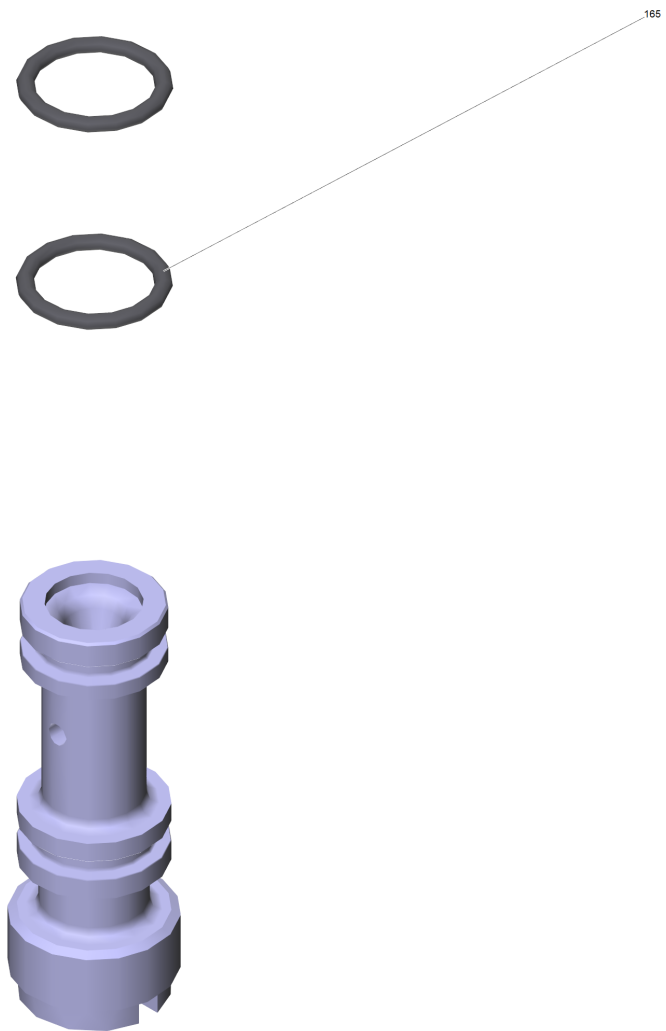
70 Nozzle insert (4.769-035.0)

POS	Article no.	Description	Quantity	Unit
165	6.362-384.0	O-Ring seal 9x1,5 - NBR 70	2.000	ST



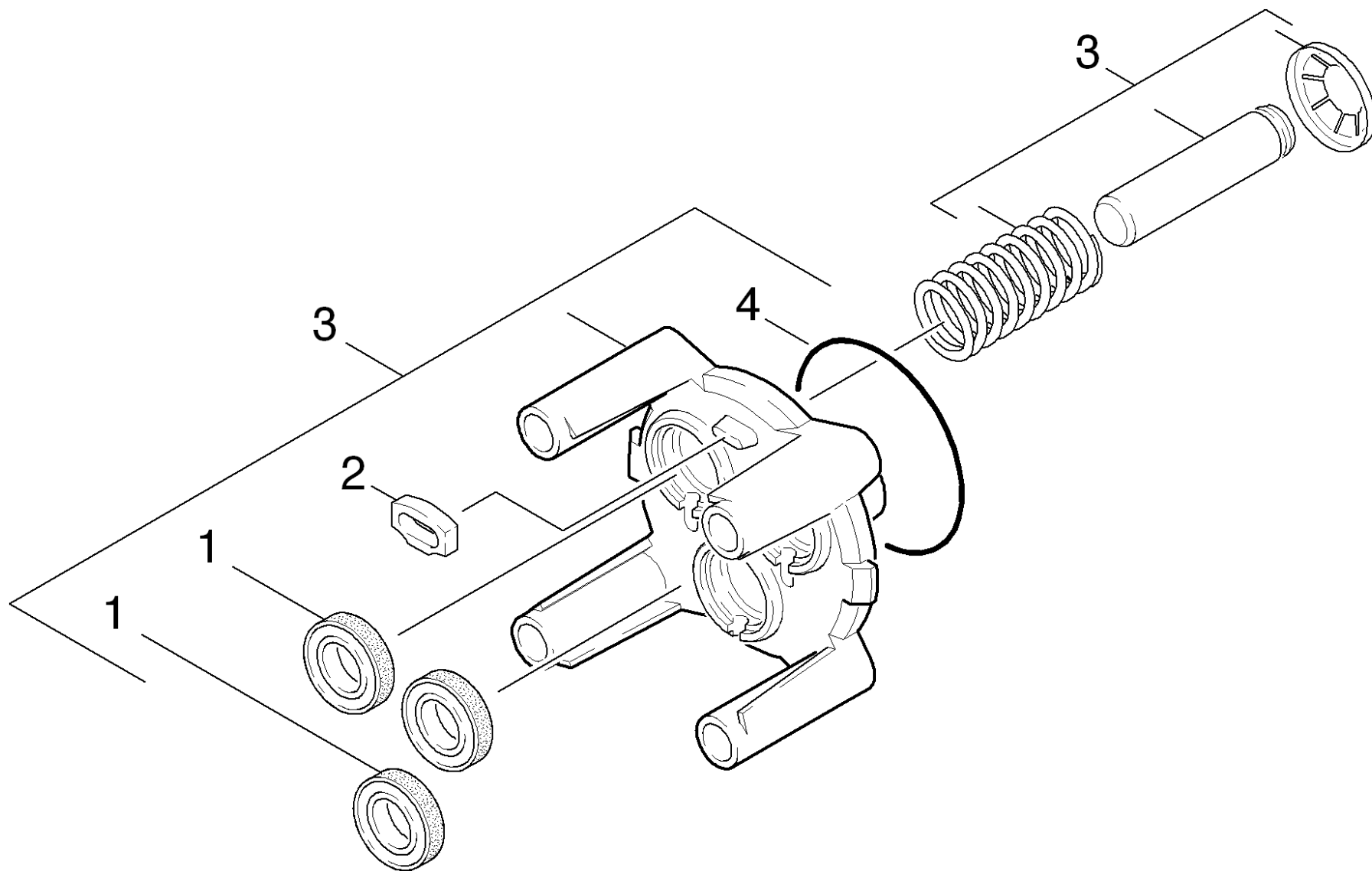
15 Pump head Alu FC ric (9.002-456.0)

POS	Article no.	Description	Quantity	Unit
3	9.081-424.0	Form seal	1.000	ST
5	6.362-875.0	Grooved ring	3.000	ST
8	9.001-276.0	Joining piece	1.000	ST
6	9.001-110.0	Moulded part complete	1.000	ST
4	9.038-428.0	Supportring 6,7 mm	3.000	ST
7	9.001-275.0	Valve set	1.000	ST



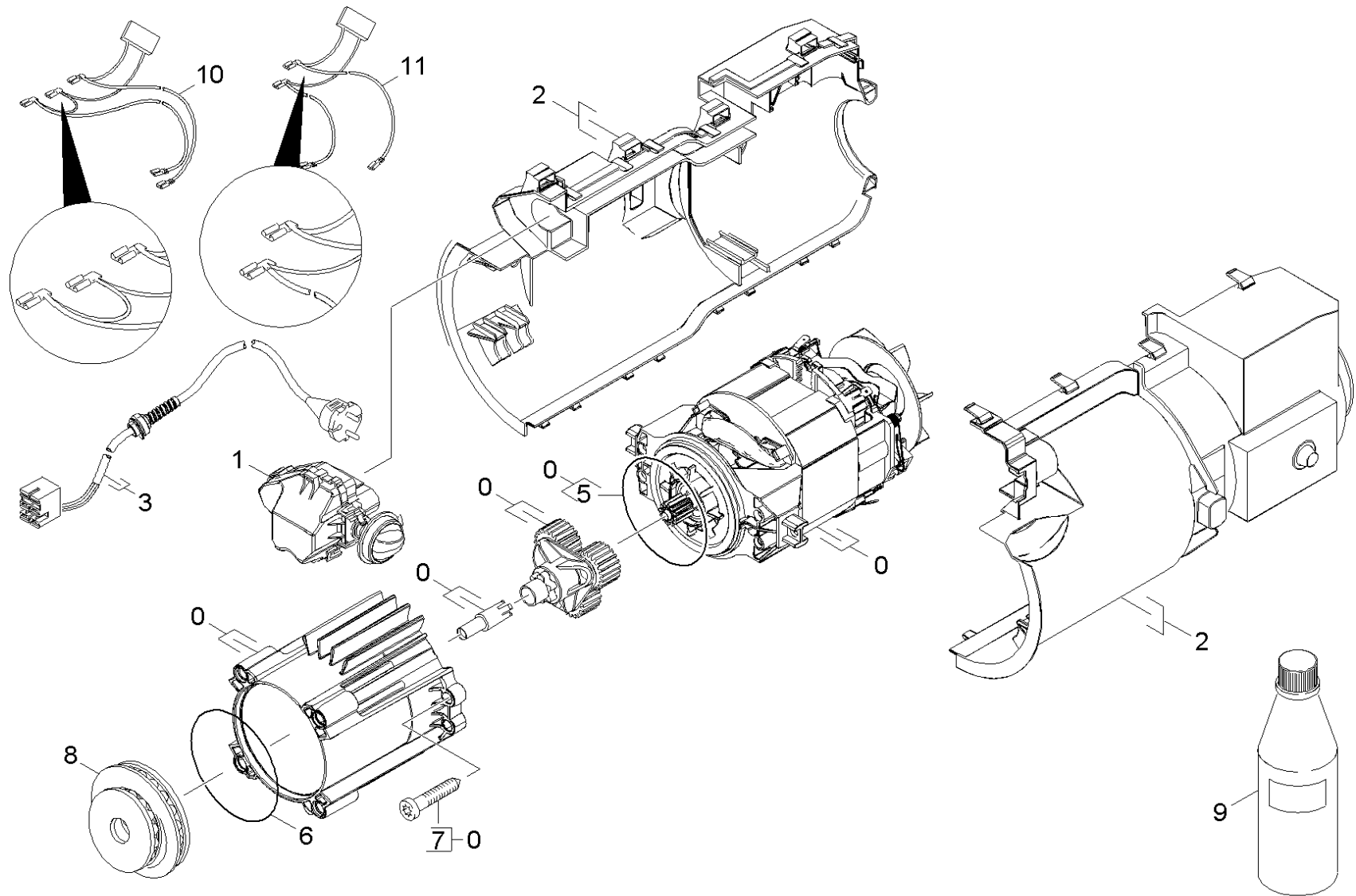
23 Nozzle insert (4.769-035.0)

POS	Article no.	Description	Quantity	Unit
165	6.362-384.0	O-Ring seal 9x1,5 - NBR 70	2.000	ST



22 Thrust guidance

POS	Article no.	Description	Quantity	Unit
4	6.363-339.0	O-Ring seal 60x2,5 -NBR 80	1.000	ST
1	6.365-393.0	Oil sealing 12x20x4/6	3.000	ST
3	9.001-721.0	Piston guidance complete replacement	1.000	ST
2	9.048-071.0	Spacer - Seal	1.000	ST

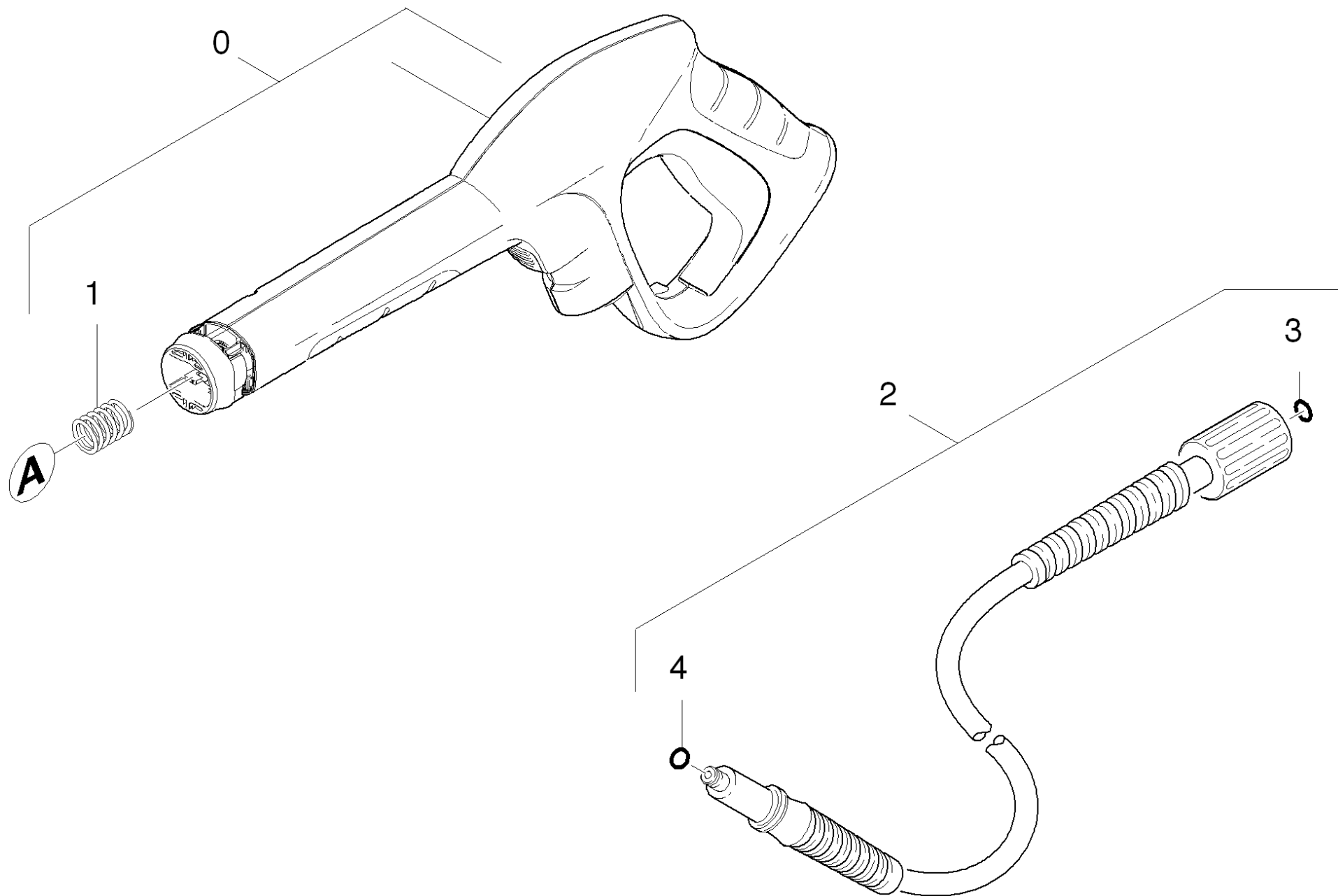


30 Motor

POS	Article no.	Description	Quantity	Unit
3	4.649-018.0	Cable complete *GB	1.000	ST
	Item text1: 1.950-402.0 /-404.0			
3	4.649-015.0	Cable complete Multiconnector *EU	1.000	ST
	Item text1: 1.950-400.0 /-401.0 /-403.0 /-405.0			
11	6.649-560.0	Cable with capacitor	1.000	ST
10	6.649-410.0	Cable with capacitor 2x1	1.000	ST
9	6.288-112.0	Engine oil 10W-60, 1L	1.000	ST
2	4.067-063.0	Housing motor replacement V0	1.000	ST
0	4.060-778.0	Motor complete replacement 1,9kW	1.000	ST
5	6.362-902.0	O-Ring 60x2,5 NBR 70	1.000	ST
6	6.363-339.0	O-Ring seal 60x2,5 -NBR 80	1.000	ST
7	6.303-260.0	Screw 5x26,4	4.000	ST
1	9.001-874.0	Switch box complete spare part	1.000	ST
8	4.120-230.0	Wobble plate complete replacement	1.000	ST

40 Accessories

POS	Description	Quantity	Unit	Remark
41	Hand trigger gun	1.000	ST	
42	Jet pipe	1.000	ST	
45	Surface cleaner	1.000	ST	T 300
43	Surface cleaner	1.000	ST	T 200
44	Surface cleaner	1.000	ST	T 250



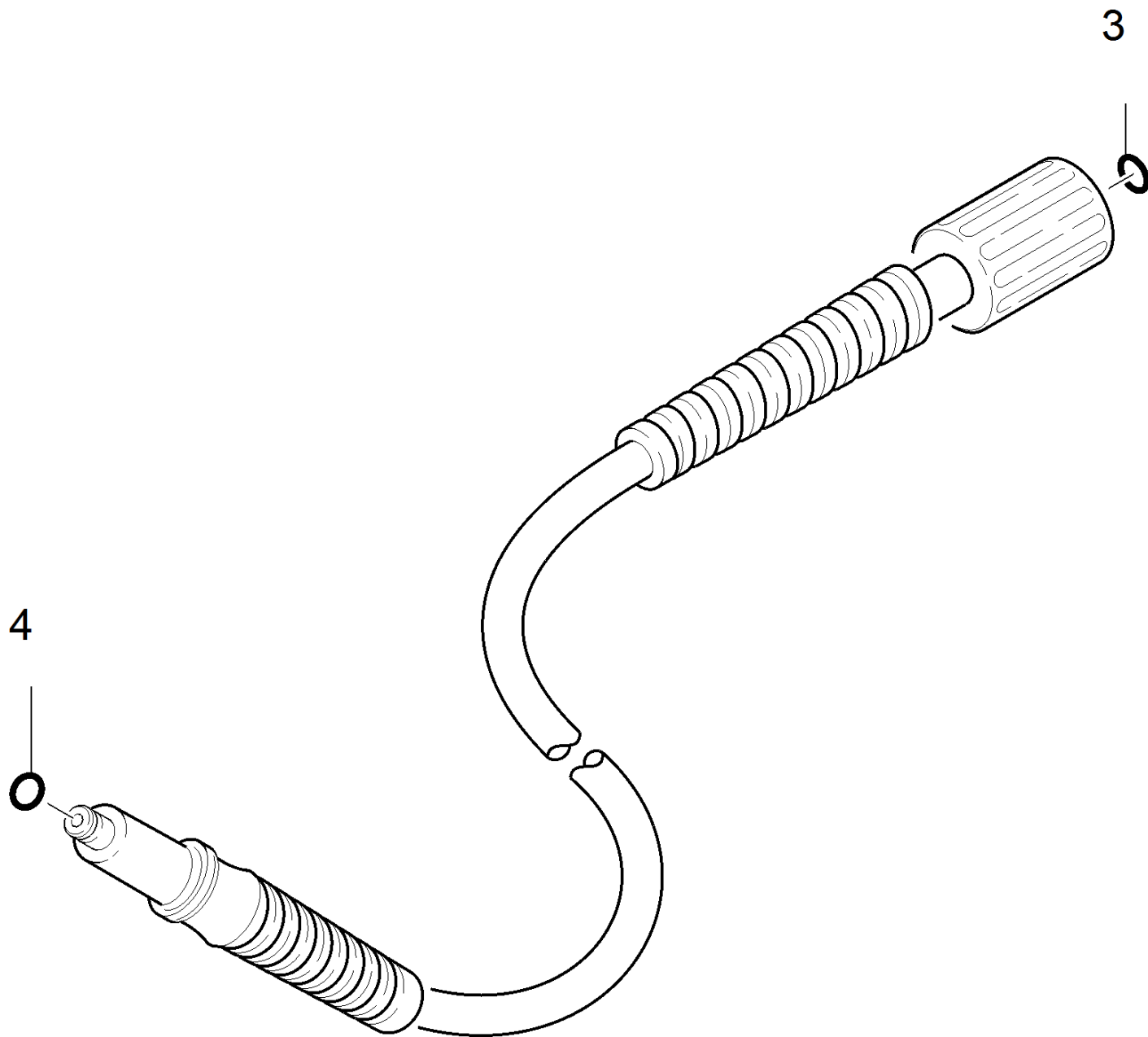
41 Hand trigger gun

POS	Article no.	Description	Quantity	Unit
0	2.642-889.0	G 180 Q Trigger gun Quick Connect	1.000	ST
2	2.641-706.0	High pressure hose 16MPa/9m 60°C, verp.	1.000	ST
4	6.363-410.0	O-Ring seal 5,7x1,78 NBR 90Shore	1.000	ST
1	5.332-464.0	Pressure spring	1.000	ST
3	2.880-990.0	Spare part set O-Ring 5x -Kaercher	1.000	ST



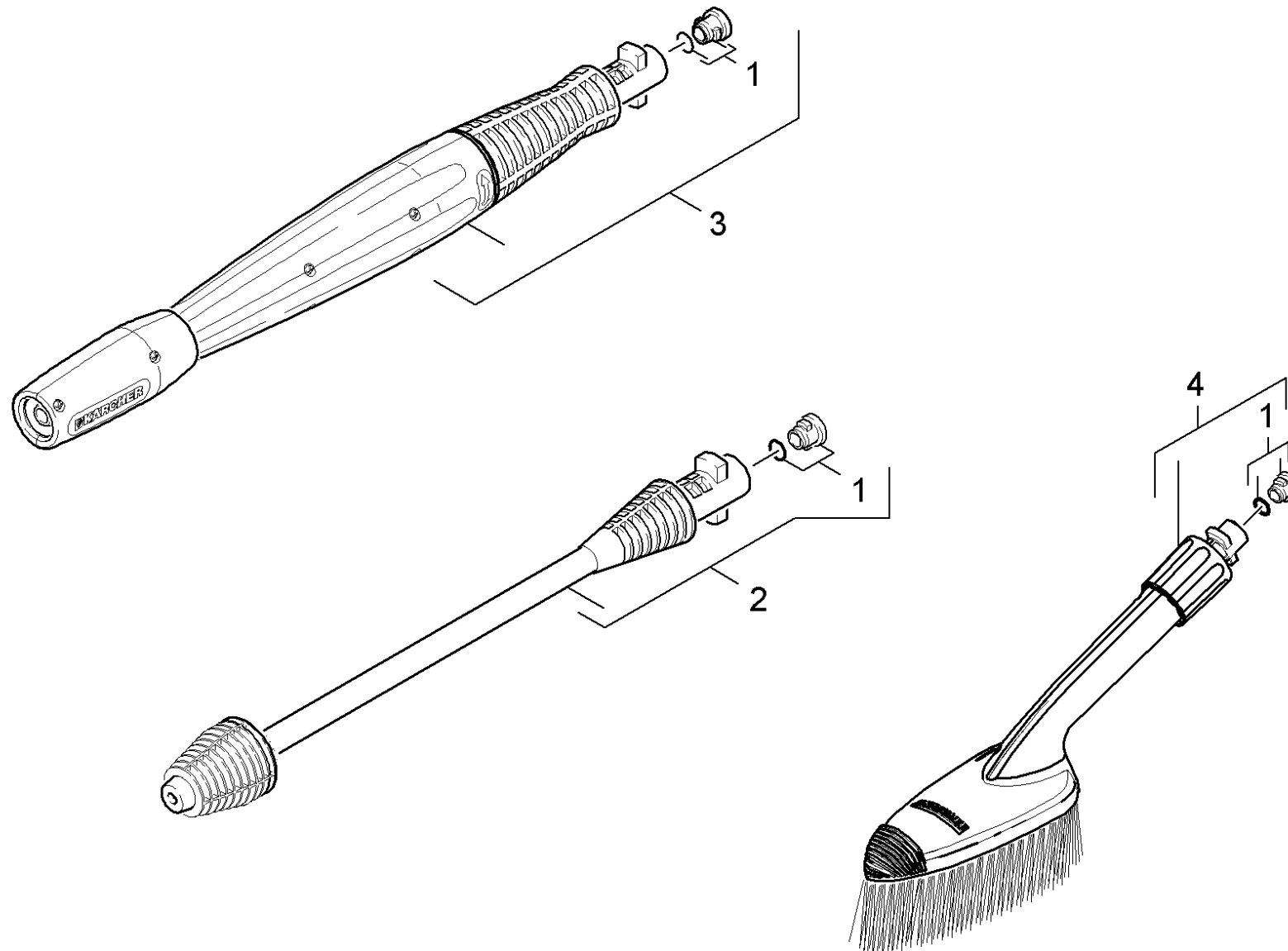
G 180 Q Trigger gun Quick Connect (2.642-889.0)

POS	Article no.	Description	Quantity	Unit
1	5.332-464.0	Pressure spring	1.000	ST



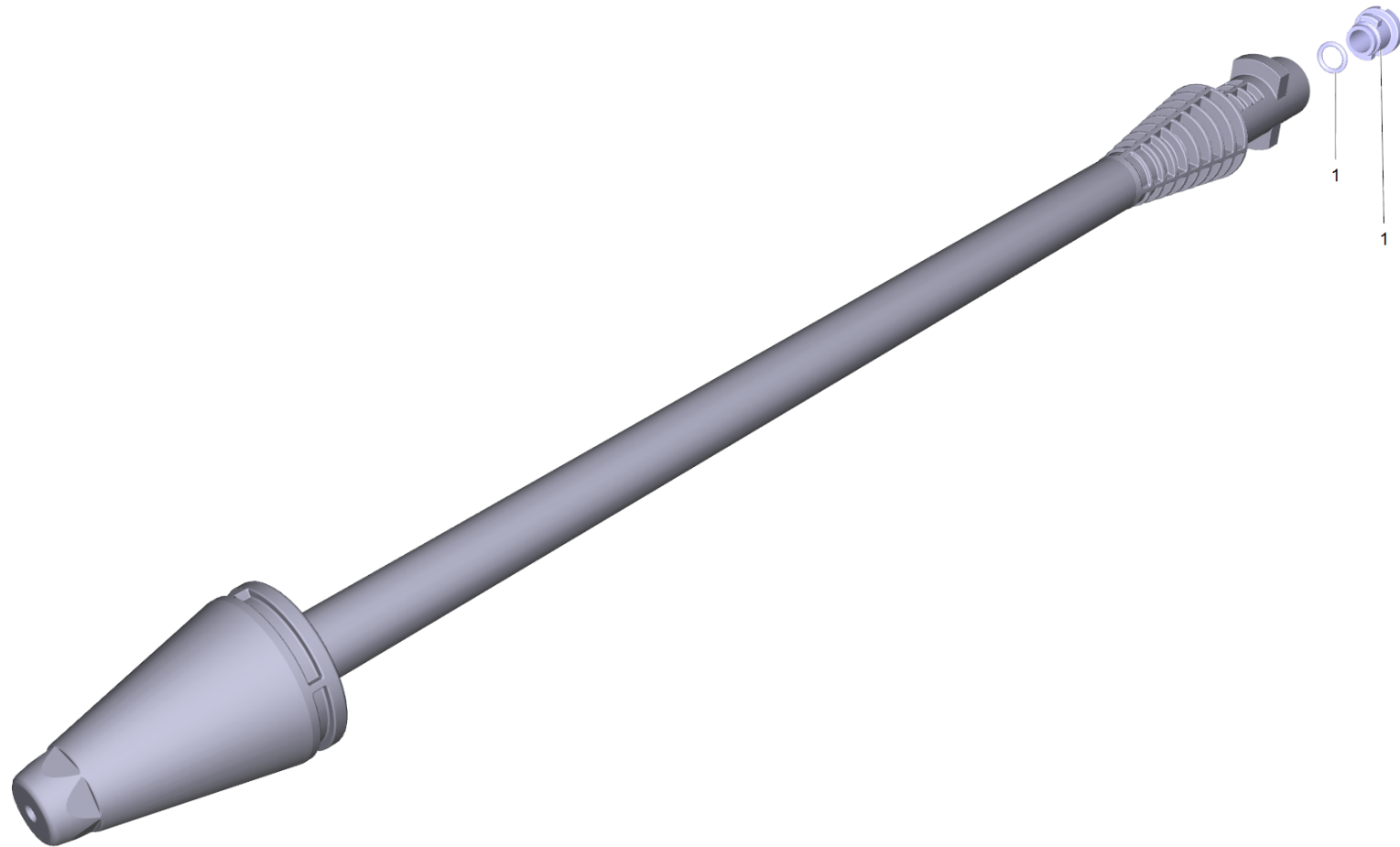
2 High pressure hose 16MPa/9m 60°C, verp. (2.641-706.0)

POS	Article no.	Description	Quantity	Unit
4	6.363-410.0	O-Ring seal 5,7x1,78 NBR 90Shore	1.000	ST
3	2.880-990.0	Spare part set O-Ring 5x -Kaercher	1.000	ST



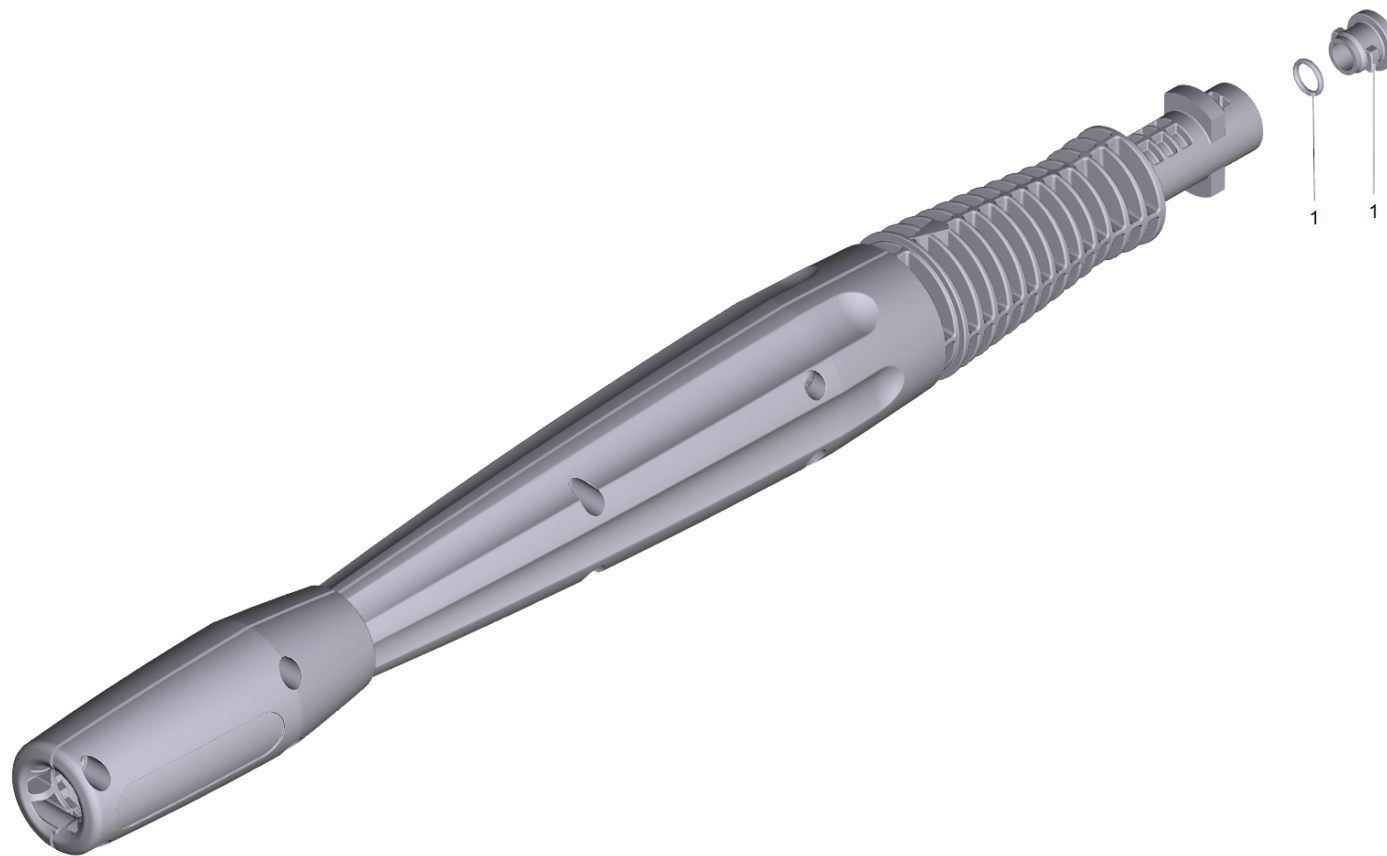
42 Jet pipe

POS	Article no.	Description	Quantity	Unit
4	2.640-589.0	Brush lengthwise	1.000	ST
2	4.764-281.0	Dirt blaster 031 St - CEM 14,5MPa	1.000	ST
1	2.640-729.0	O-Ring seal set	1.000	ST
3	4.760-633.0	VPS K5 025	1.000	ST
	Item text1: 1.950-400.0 /-401.0 /-403.0 /-405.0			
3	4.760-527.0	VPS K5 0287	1.000	ST
	Item text1: 1.950-402.0 /-404.0			



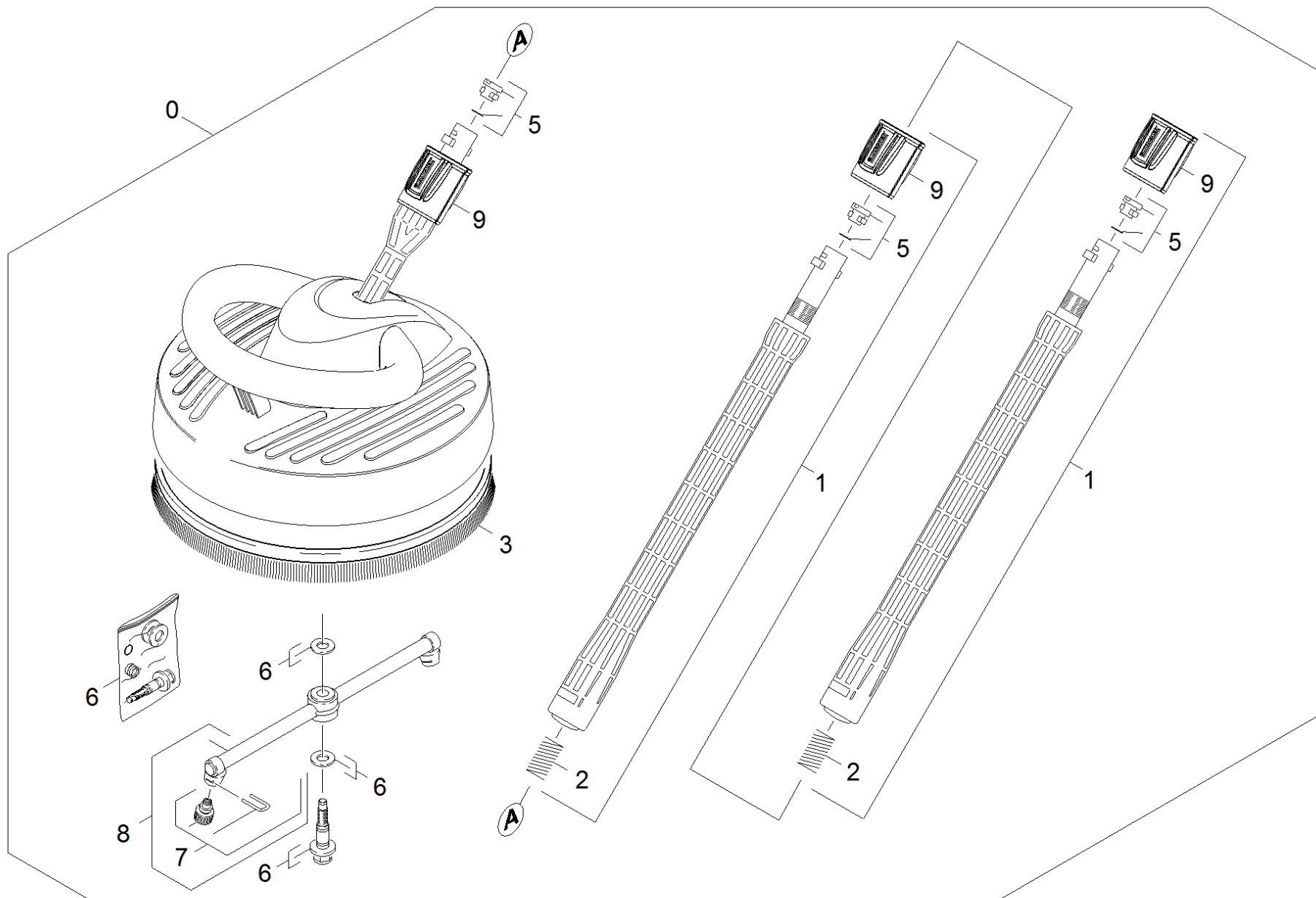
2 Dirt blaster 031 St - CEM 14,5MPa (4.764-281.0)

POS	Article no.	Description	Quantity	Unit
1	2.640-729.0	O-Ring seal set	1.000	ST



3 VPS K5 0287 (4.760-527.0)

POS	Article no.	Description	Quantity	Unit
1	2.640-729.0	O-Ring seal set	1.000	ST



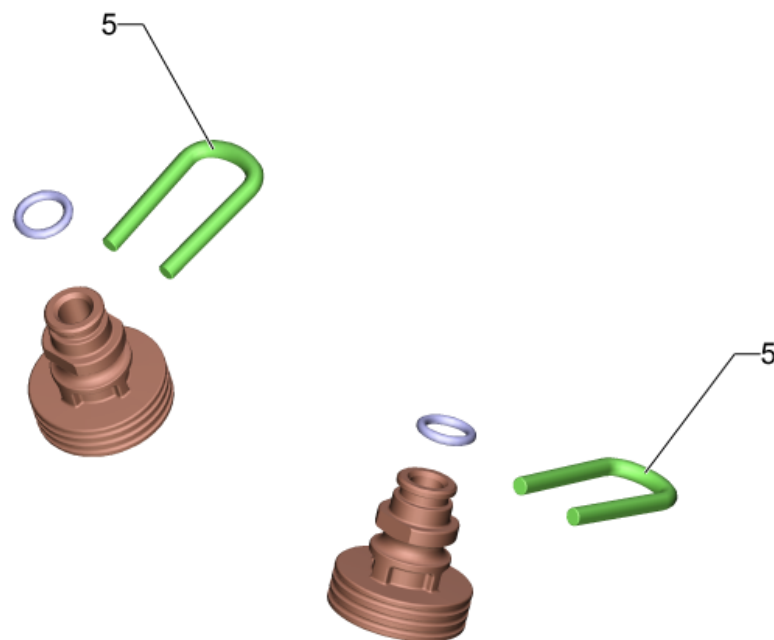
43 Surface cleaner




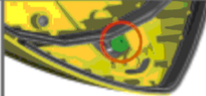




POS	Article no.	Description	Quantity	Unit	Foot note text
9	5.310-160.0	Nut Kaercher	3.000	ST	
5	2.640-729.0	O-Ring seal set	3.000	ST	
2	5.332-464.0	Pressure spring	2.000	ST	
1	2.643-240.0	Single-step jet pipe extension	2.000	ST	
7	2.641-556.0	Spare part set nozzles 027	1.000	ST	BLACK
8	2.885-003.0	Spare part set rotor neutrally	1.000	ST	
6	2.883-994.0	Spare part set set of gaskets neutrally	1.000	ST	
7	2.643-338.0	Spare parts nozzles T-Racer	1.000	ST	GREY
3	6.371-086.0	Strip brush	1.000	ST	
0	2.641-361.0	T 200 verpackt	1.000	ST	









1 Single-step jet pipe extension (2.643-240.0)

POS	Article no.	Description	Quantity	Unit
10	5.310-160.0	Nut Kaercher	1.000	ST
3	2.640-729.0	O-Ring seal set	1.000	ST
8	5.332-464.0	Pressure spring	1.000	ST



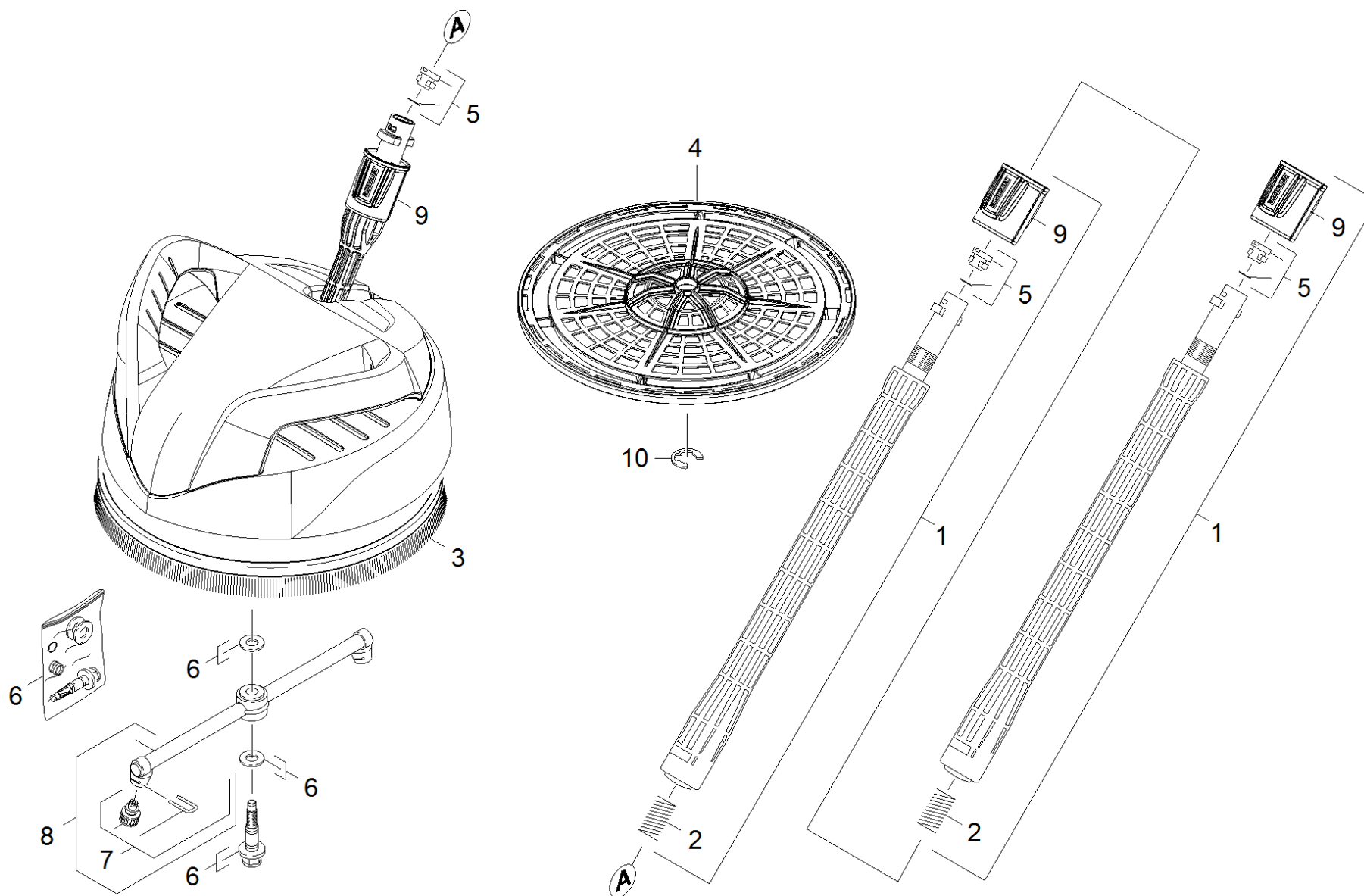
T 50, T 70, T 80, T 100 T 150, T 200, T 250, T 300, T 400, T 450, T 550	K 2 - K 5		
	K 6 - K 7		
T 400, T 450 T 550			
T 200, T 250	K 6 - K 7		
T 350 Gas			

	K 3 - K 5	
	K 6 - K 7	

	K 2	
	K 3 - K 5	

7 Spare parts nozzles T-Racer (2.643-338.0)

POS	Article no.	Description	Quantity	Unit	Remark	Foot note text
5	5.037-151.0	Clamp	2.000	ST		
1	4.764-155.0	Nozzle complete 15015	1.000	ST	<13 MPa (<130 bar)	GREY
		Item text1: 015				
2	4.764-156.0	Nozzle complete 15020	1.000	ST	13 MPa (130 bar) - 16 MPa (160 bar)	YELLOW
		Item text1: 020				
3		Nozzle complete 15027	1.000	ST		BLACK
		Item text1: 027				
4	4.764-190.0	Nozzle kpl. 75047	1.000	ST		GREEN
		Item text1: 047				



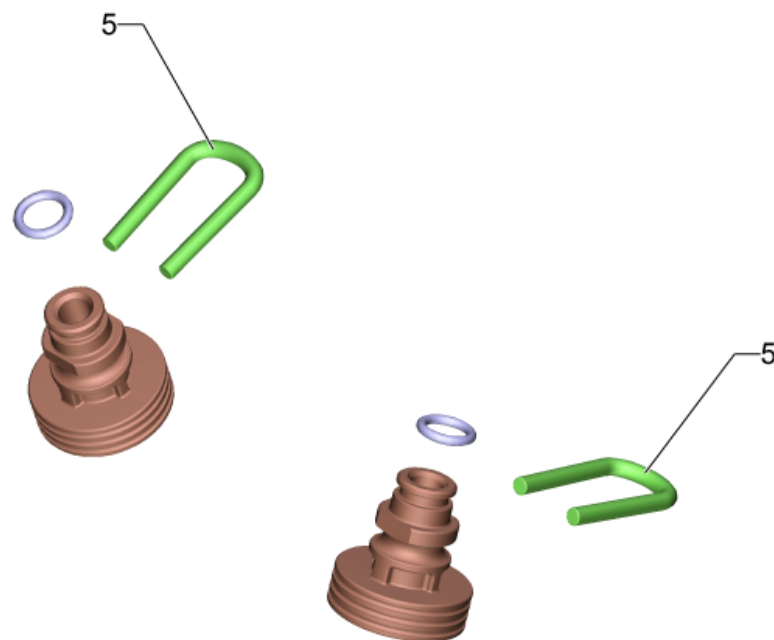
44 Surface cleaner




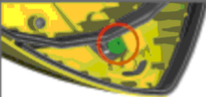




POS	Article no.	Description	Quantity	Unit
6	2.883-963.0	Bearing neck complete	1.000	ST
4	5.394-865.0	Grate T 250 Plus	1.000	ST
10	7.343-206.0	Lock washer 12-2.1030 DIN 6799	1.000	ST
9	5.310-160.0	Nut Kaercher	3.000	ST
5	2.640-729.0	O-Ring seal set	3.000	ST
2	5.332-464.0	Pressure spring	2.000	ST
1	2.643-240.0	Single-step jet pipe extension	2.000	ST
8	2.885-182.0	Spare part set rotor T 250 plus	1.000	ST
7	2.643-338.0	Spare parts nozzles T-Racer	1.000	ST
3	6.371-086.0	Strip brush	1.000	ST









1 Single-step jet pipe extension (2.643-240.0)

POS	Article no.	Description	Quantity	Unit
10	5.310-160.0	Nut Kaercher	1.000	ST
3	2.640-729.0	O-Ring seal set	1.000	ST
8	5.332-464.0	Pressure spring	1.000	ST



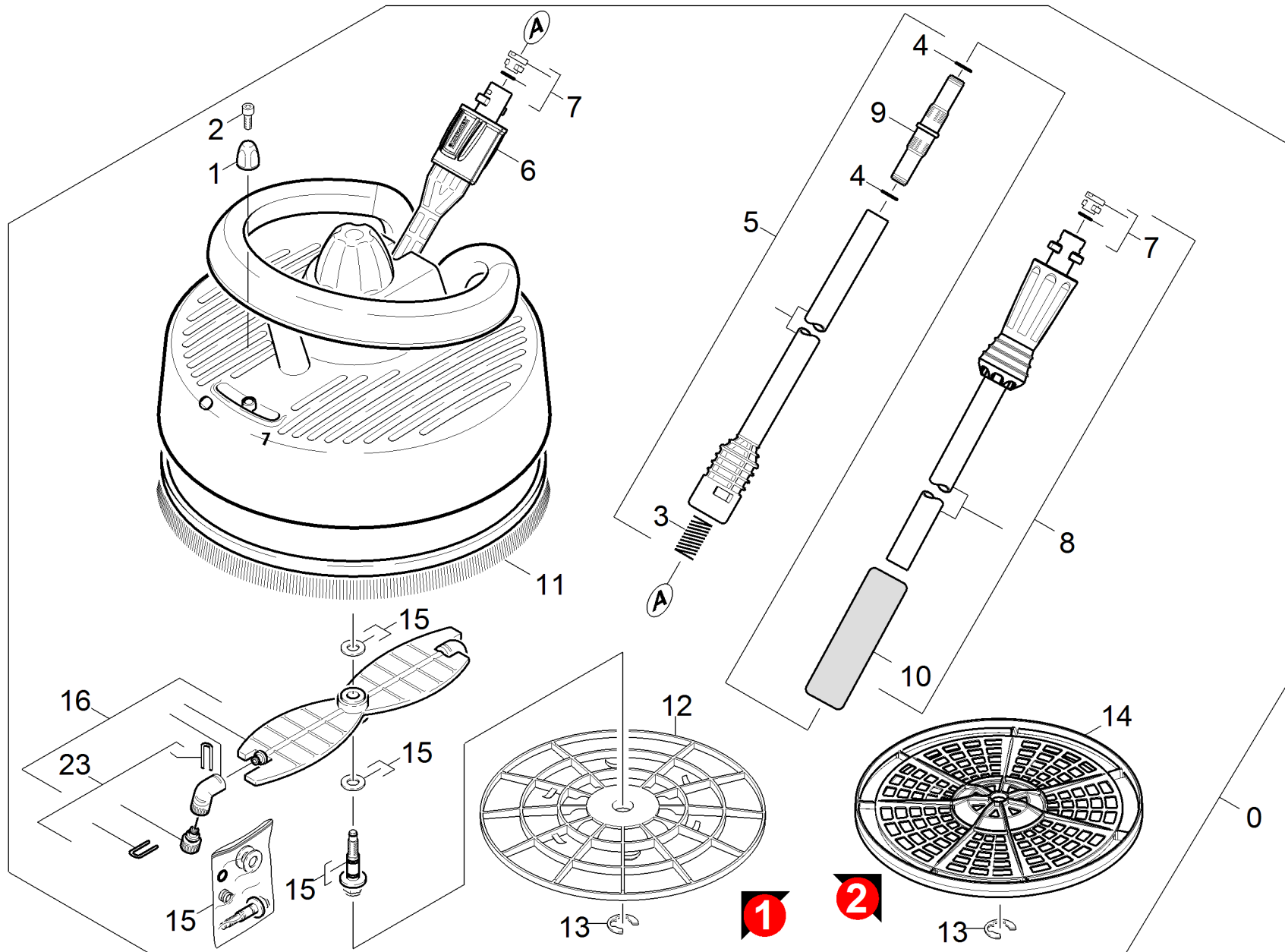
T 50, T 70, T 80, T 100 T 150, T 200, T 250, T 300, T 400, T 450, T 550	K 2 - K 5		
	K 6 - K 7		
T 400, T 450 T 550			
T 200, T 250	K 6 - K 7		
T 350 Gas			

	K 3 - K 5	
	K 6 - K 7	

	K 2	
	K 3 - K 5	

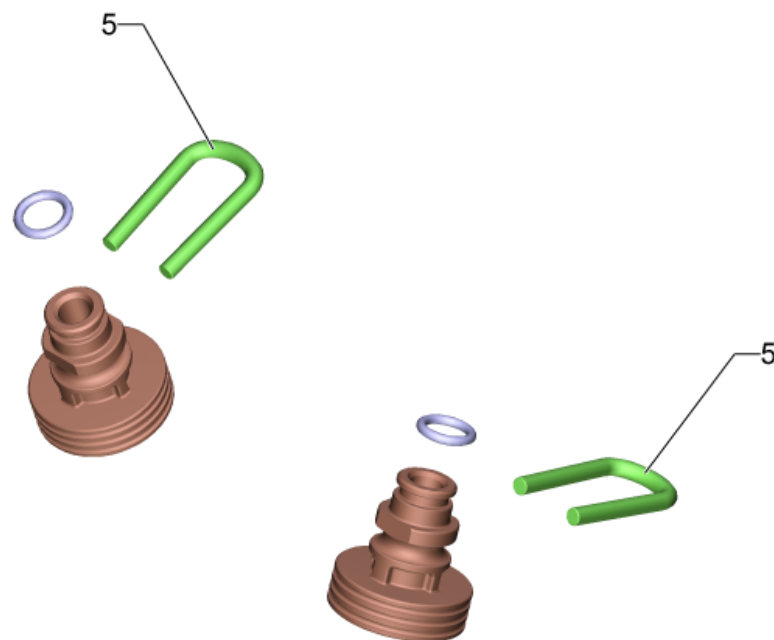
7 Spare parts nozzles T-Racer (2.643-338.0)




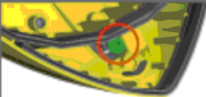




POS	Article no.	Description	Quantity	Unit	Remark	Foot note text
5	5.037-151.0	Clamp	2.000	ST		
1	4.764-155.0	Nozzle complete 15015	1.000	ST	<13 MPa (<130 bar)	GREY
		Item text1: 015				
2	4.764-156.0	Nozzle complete 15020	1.000	ST	13 MPa (130 bar) - 16 MPa (160 bar)	YELLOW
		Item text1: 020				
3		Nozzle complete 15027	1.000	ST		BLACK
		Item text1: 027				
4	4.764-190.0	Nozzle kpl. 75047	1.000	ST		GREEN
		Item text1: 047				









45 Surface cleaner

POS	Article no.	Description	Quantity	Unit	Foot note text
15	2.883-963.0	Bearing neck complete	1.000	ST	
9	5.471-105.0	Coupling element jet pipe extension	1.000	ST	
14	5.394-872.0	Grate T 300 Plus	1.000	ST	
10	6.321-160.0	Handhold foamed material	1.000	ST	
5	4.760-495.0	Jet pipe	1.000	ST	
8	4.760-688.0	Jet pipe PS	1.000	ST	
13	7.343-206.0	Lock washer 12-2.1030 DIN 6799	1.000	ST	
6	5.310-160.0	Nut Kaercher	1.000	ST	
4	6.363-615.0	O-Ring seal 11 x 1,5 -NBR70	1.000	ST	
7	2.640-729.0	O-Ring seal set	2.000	ST	
3	5.332-464.0	Pressure spring	1.000	ST	
12	5.394-661.0	Protection part	1.000	ST	
2	7.303-092.0	Screw 3x12 -10.9-R2R (K-In6Rd)	1.000	ST	
16	2.883-973.0	Spare part set rotor	1.000	ST	
23	2.643-338.0	Spare parts nozzles T-Racer	1.000	ST	YELLOW
23	2.643-338.0	Spare parts nozzles T-Racer	1.000	ST	GREY
1	7.777-999.0	Stockpiling discontinued	1.000	ST	
11	6.369-738.0	Strip brush	1.000	ST	
0	2.640-212.0	T 300 T-Racer surface cleaner	1.000	ST	



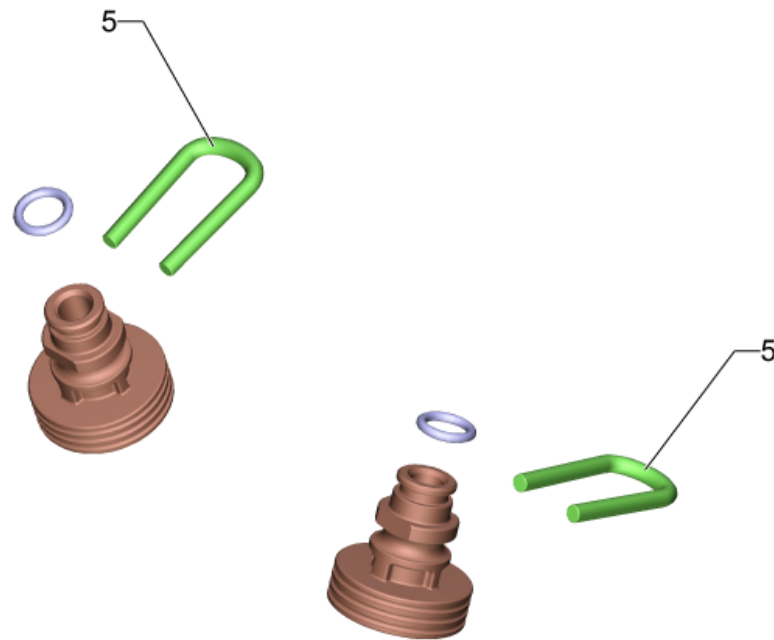
T 50, T 70, T 80, T 100 T 150, T 200, T 250, T 300, T 400, T 450, T 550	K 2 - K 5		
	K 6 - K 7		
T 400, T 450 T 550			
T 200, T 250	K 6 - K 7		
T 350 Gas			




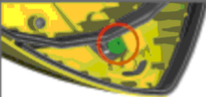




	K 3 - K 5	
	K 6 - K 7	




	K 2	
	K 3 - K 5	




23 Spare parts nozzles T-Racer (2.643-338.0)

POS	Article no.	Description	Quantity	Unit	Remark	Foot note text
5	5.037-151.0	Clamp	2.000	ST		
1	4.764-155.0	Nozzle complete 15015	1.000	ST	<13 MPa (<130 bar)	GREY
		Item text1: 015				
2	4.764-156.0	Nozzle complete 15020	1.000	ST	13 MPa (130 bar) - 16 MPa (160 bar)	YELLOW
		Item text1: 020				
3		Nozzle complete 15027	1.000	ST		BLACK
		Item text1: 027				
4	4.764-190.0	Nozzle kpl. 75047	1.000	ST		GREEN
		Item text1: 047				



T 50, T 70, T 80, T 100 T 150, T 200, T 250, T 300, T 400, T 450, T 550	K 2 - K 5		
	K 6 - K 7		
T 400, T 450 T 550			
T 200, T 250	K 6 - K 7		
T 350 Gas			

	K 3 - K 5	
	K 6 - K 7	

	K 2	
	K 3 - K 5	

23 Spare parts nozzles T-Racer (2.643-338.0)

POS	Article no.	Description	Quantity	Unit	Remark	Foot note text
5	5.037-151.0	Clamp	2.000	ST		
1	4.764-155.0	Nozzle complete 15015	1.000	ST	<13 MPa (<130 bar)	GREY
		Item text1: 015				
2	4.764-156.0	Nozzle complete 15020	1.000	ST	13 MPa (130 bar) - 16 MPa (160 bar)	YELLOW
		Item text1: 020				
3		Nozzle complete 15027	1.000	ST		BLACK
		Item text1: 027				
4	4.764-190.0	Nozzle kpl. 75047	1.000	ST		GREEN
		Item text1: 047				