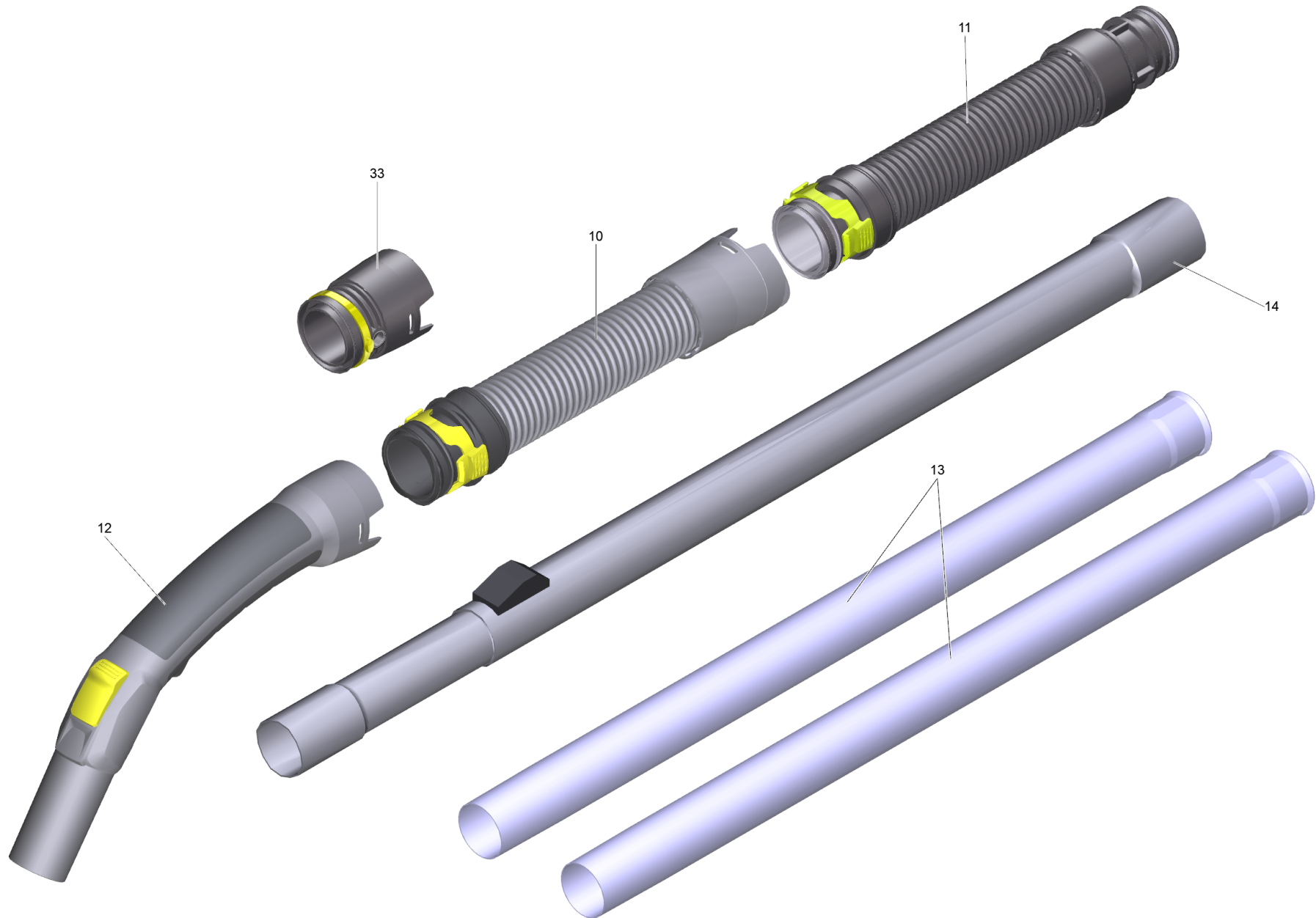


40 Accessories

Professional \ Vacuum cleaner \ Dry vacuum cleaner \ T 10/1 *EU \ Spare parts list T 10/1 *EU ERP2 \ Accessories

KÄRCHER



40 Accessories

Professional \ Vacuum cleaner \ Dry vacuum cleaner \ T 10/1 *EU \ Spare parts list T 10/1 *EU ERP2 \ Accessories



40 Accessories

Professional \ Vacuum cleaner \ Dry vacuum cleaner \ T 10/1 *EU \ Spare parts list T 10/1 *EU ERP2 \ Accessories



40 Accessories

Professional \ Vacuum cleaner \ Dry vacuum cleaner \ T 10/1 *EU \ Spare parts list T 10/1 *EU ERP2 \ Accessories



POS	Article no.	Description	Quantity	Unit	Remark
10	2.889-145.0	Extension hose packaged NW35 2.5m	1	PC	
11	2.889-132.0	Hose packaged NW35 1,5m	1	PC	
11	2.889-133.0	Hose packaged NW35 2.5m	1	PC	
11	2.889-161.0	Hose packaged NW35 2.0m	1	PC	
12	2.889-148.0	Elbow packaged antistatic NW35 2K	1	PC	
12	2.889-170.0	Elbow packaged NW35 2K	1	PC	
13	2.889-191.0	Set suction tube chromed NW35 550mm	1	PC	
13	2.889-192.0	Set suction tube stainless steel NW35 55	1	PC	
13	2.889-218.0	Set suction tube DN35 505mm	1	PC	
13	6.902-074.0	Suction tube chromed NW35 - 505mm	2	PC	
13	6.902-154.0	Suction tube stainless steel NW35 - 505m	2	PC	
14	2.862-008.0	Telescopic tube packaged NW35	1	PC	
15	2.860-113.0	Upholstery nozzle TURBO	1	PC	
16	2.860-114.0	Floor tool TURBO DN 35/32	1	PC	
17	2.863-221.0	Suction brush kit WD 2pc.	1	PC	
18	2.889-129.0	Floor tool basalt grey packaged NW35	1	PC	
19	2.889-159.0	Crevice nozzle wet and dry packaged NW35	1	PC	225mm
19	2.889-130.0	Crevice nozzle packaged NW35	1	PC	210mm
20	2.889-179.0	Combination nozzle basalt grey packaged	1	PC	
21	2.889-196.0	Parquet nozzle packaged D360 NW35	1	PC	
22	6.900-425.0	Multi-purpose brush	1	PC	
23	6.902-104.0	Suction nozzle DN 35	1	PC	
24	6.903-035.0	Pipe cleaning nozzle 35/100	1	PC	
24	6.903-036.0	Pipe cleaning nozzle 25/200	1	PC	
25	6.903-862.0	Suction brush DN35	1	PC	
25	6.900-697.0	Suction brush NW 35-CET 210024329	1	PC	
25	2.889-221.0	Suction brush packaged NW 35	1	PC	
26	6.905-998.0	Upholstery nozzle complete NW35	1	PC	
30	6.904-333.0	Paper filtering bag 10 St. Kärcher	1	PC	T 10/1 + T 12/1
30	6.904-370.0	Paper filtering bag Basic 10 Stck.	1	PC	T 10/1 + T 12/1
31	6.904-084.0	Filter bags fleece 10 St.	1	PC	T 7/1
31	6.904-315.0	Filter bag fleece	1	PC	T 10/1 + T 12/1
33	2.889-312.0	Adapter old packaged NW35	1	PC	

40 Accessories

Professional \ Vacuum cleaner \ Dry vacuum cleaner \ T 10/1 *EU \ Spare parts list T 10/1 *EU ERP2 \ Accessories



POS	Article no.	Description	Quantity	Unit	Remark
34	2.889-197.0	Parquet nozzle packaged D300 NW35	1	PC	