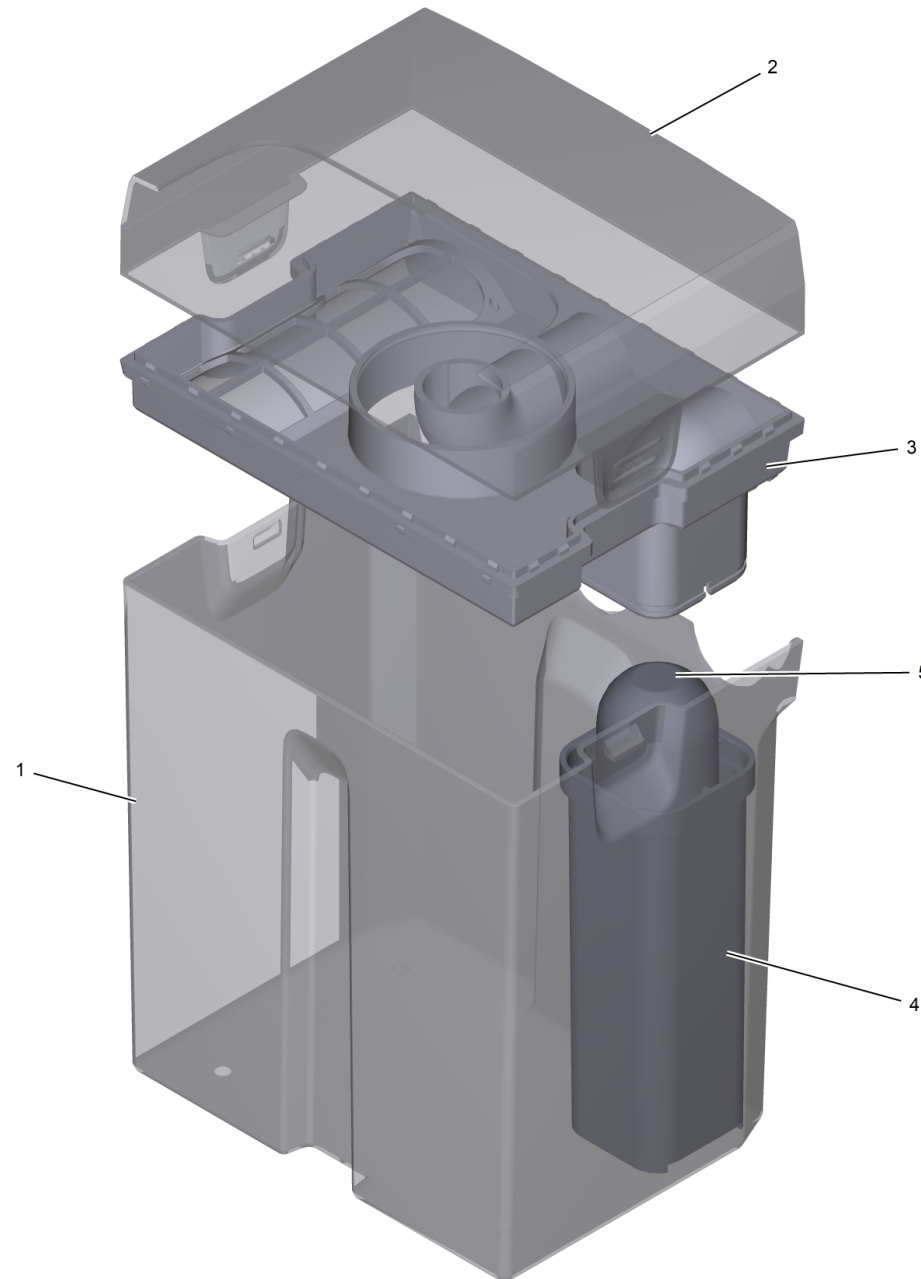


# 150 Dirt water tank cpl.

Home and Garden \ Spray extraction \ SE 3-18 Compact Battery Set \*EU \ Dirt water tank cpl.



## 150 Dirt water tank cpl.

Home and Garden \ Spray extraction \ SE 3-18 Compact Battery Set \*EU \ Dirt water tank cpl.



| POS | Article no. | Description                                  | Quantity | Unit |
|-----|-------------|--|----------|------|
| 2   | 5.081-034.3 | Cover plate waste water tank for replacement | 1        | PC   |
| 1   | 5.081-033.3 | Dirt water tank for replacement              | 1        | PC   |
| 5   | 5.081-037.0 | Float  | 1        | PC   |
| 4   | 5.081-036.3 | Float cage for replacement                   | 1        | PC   |
| 3   | 5.081-035.3 | Separator for replacement                    | 1        | PC   |