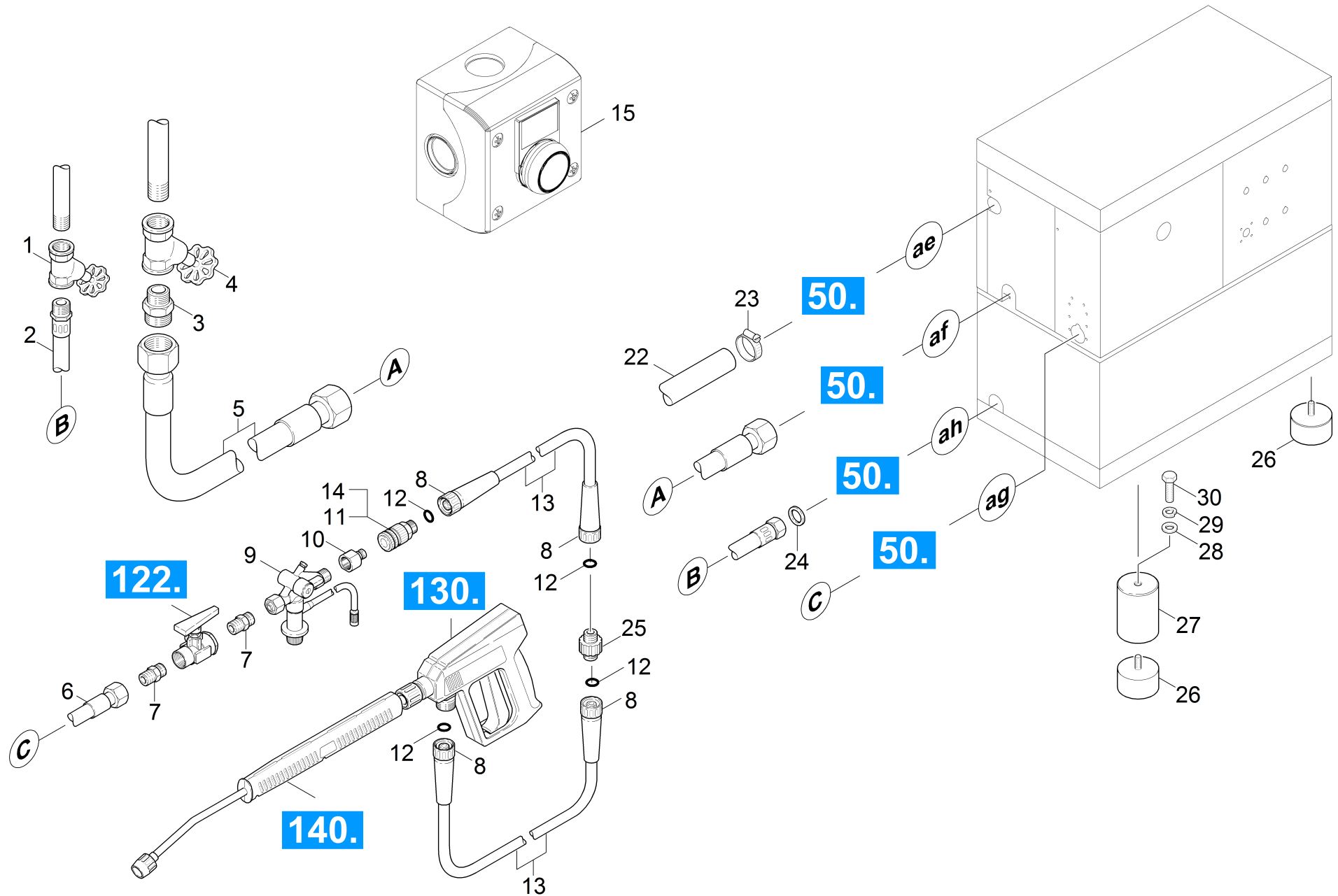


121 Accessories

Professional \ Industrial cleaning systems \ High pressure cleaner stationary \ HD 4000 CH \ Spare parts list HD 4000E/4000C \ Accessories \ Accessories



121 Accessories

Professional \ Industrial cleaning systems \ High pressure cleaner stationary \ HD 4000 CH \ Spare parts list HD 4000E/4000C \ Accessories \ Accessories



POS	Preces Nr.	Apraksts	Skaitis	Vienība	Sērijas numurs no	Sērijas numurs līdz	Piezīme	Zemsvētras piezīme
1	6.412-027.0	Valve sleeve Rp 1/2"	1.000	ST	0000000000	0000000000		AC. TO QUANTITY REQUIRED AND LENGTH OR SIZE OF YOUR INS
2	6.389-145.0	Hose assembly	1.000	ST	0000000000	0000000000		AC. TO QUANTITY REQUIRED AND LENGTH OR SIZE OF YOUR INS
3	6.386-010.0	Screw-in part R 3/4" - R 1"	1.000	ST	0000000000	0000000000	3/4"X1"	AC. TO QUANTITY REQUIRED AND LENGTH OR SIZE OF YOUR INS
3	6.386-011.0	Screw-in part R 1" - R 1 1/4"	1.000	ST	0000000000	0000000000	1"X1 1/4"	AC. TO QUANTITY REQUIRED AND LENGTH OR SIZE OF YOUR INS
3	6.386-006.0	Screw-in part R 1 1/2"-1 3/4"	1.000	ST	0000000000	0000000000	1 1/2"X1 3/4"	AC. TO QUANTITY REQUIRED AND LENGTH OR SIZE OF YOUR INS
4	6.412-024.0	Valve sleeve Rp 1 1/2"	1.000	ST	0000000000	0000000000		AC. TO QUANTITY REQUIRED AND LENGTH OR SIZE OF YOUR INS
4	6.412-022.0	Valve sleeve Rp 1"	1.000	ST	0000000000	0000000000		AC. TO QUANTITY REQUIRED AND LENGTH OR SIZE OF YOUR INS
4	6.412-021.0	Valve sleeve Rp 3/4"	1.000	ST	0000000000	0000000000		AC. TO QUANTITY REQUIRED AND LENGTH OR SIZE OF YOUR INS
5	6.389-158.0	High pressure hose G 1 3/4"	1.000	ST	0000000000	0000000000		
5	6.389-157.0	High pressure hose G 1 1/4"	1.000	ST	0000000000	0000000000		AC. TO QUANTITY REQUIRED AND LENGTH OR SIZE OF YOUR INS
5	6.389-156.0	High pressure hose G 1"	1.000	ST	0000000000	0000000000		AC. TO QUANTITY REQUIRED AND LENGTH OR SIZE OF YOUR INS

121 Accessories

Professional \ Industrial cleaning systems \ High pressure cleaner stationary \ HD 4000 CH \ Spare parts list HD 4000E/4000C \ Accessories \ Accessories



POS	Preces Nr.	Apraksts	Skaitis	Vienība	Sērijas numurs no	Sērijas numurs līdz	Piezīme	Zemsvētras piezīme
6	6.389-126.0	High pressure hose DN12	1.000	ST	0000000000	0000000000		AC. TO QUANTITY REQUIRED AND LENGTH OR SIZE OF YOUR INS
6	6.389-125.0	High pressure hose DN20-1,5m	1.000	ST	0000000000	0000000000		AC. TO QUANTITY REQUIRED AND LENGTH OR SIZE OF YOUR INS
7	5.403-057.0	Double connection	1.000	ST	0000000000	0000000000	1"X M30X1,5	AC. TO QUANTITY REQUIRED AND LENGTH OR SIZE OF YOUR INS
7	5.403-055.0	Double connection	1.000	ST	0000000000	0000000000	3/4"X M30X1,5	AC. TO QUANTITY REQUIRED AND LENGTH OR SIZE OF YOUR INS
7	5.402-001.0	Screw union swivel arm	1.000	ST	0000000000	0000000000	1/1"X M22X1,5	AC. TO QUANTITY REQUIRED AND LENGTH OR SIZE OF YOUR INS
8	5.394-050.0	Protection part	1.000	ST	0000000000	0000000000		AC. TO QUANTITY REQUIRED AND LENGTH OR SIZE OF YOUR INS
9	3.637-001.0	Add-on kit injector	1.000	ST	0000000000	0000000000		
10	6.463-025.0	Coupling element M22x1,5	1.000	ST	0000000000	0000000000		AC. TO QUANTITY REQUIRED AND LENGTH OR SIZE OF YOUR INS
11	6.463-023.0	Quick-fitting pipe union M22x1,5	1.000	ST	0000000000	0000000000		AC. TO QUANTITY REQUIRED AND LENGTH OR SIZE OF YOUR INS
12	2.880-154.0	O-Ring kit	1.000	ST	0000000000	0000000000		AC. TO QUANTITY REQUIRED AND LENGTH OR SIZE OF YOUR INS
13	6.388-807.0	High pressure hose DN12	1.000	ST	0000000000	0000000000	10 M	AC. TO QUANTITY REQUIRED AND LENGTH OR SIZE OF YOUR INS
13	6.389-479.0	Hose assembly	1.000	ST	0000000000	0000000000	10 M	AC. TO QUANTITY

121 Accessories

Professional \ Industrial cleaning systems \ High pressure cleaner stationary \ HD 4000 CH \ Spare parts list HD 4000E/4000C \ Accessories \ Accessories



POS	Preces Nr.	Apraksts	Skaitis	Vienība	Sērijas numurs no	Sērijas numurs līdz	Piezīme	Zemsvētras piezīme
		rotatable hygiene 10m DN8						REQUIRED AND LENGTH OR SIZE OF YOUR INS
13	4.440-172.0	Hose	1.000	ST	0000000000	0000000000	DN 10	AC. TO QUANTITY REQUIRED AND LENGTH OR SIZE OF YOUR INS
13	6.388-807.0	High pressure hose DN12	1.000	ST	0000000000	0000000000	15 M	AC. TO QUANTITY REQUIRED AND LENGTH OR SIZE OF YOUR INS
13	6.388-102.0	High pressure hose DN10/15,00m	1.000	ZST	0000000000	0000000000	DN 10	AC. TO QUANTITY REQUIRED AND LENGTH OR SIZE OF YOUR INS
13	6.388-061.0	High pressure hose DN 8	1.000	ST	0000000000	0000000000	10 M	AC. TO QUANTITY REQUIRED AND LENGTH OR SIZE OF YOUR INS
13	6.388-101.0	High pressure hose DN 8	1.000	ST	0000000000	0000000000	15 M	AC. TO QUANTITY REQUIRED AND LENGTH OR SIZE OF YOUR INS
14	6.463-049.0	Set of gaskets	1.000	ST	0000000000	0000000000		AC. TO QUANTITY REQUIRED AND LENGTH OR SIZE OF YOUR INS
15	4.812-068.0	Control panel subsoil washing 2	1.000	ST				QUANTITY ACCORDING TO DEMAND
22	6.388-655.0	Hose 1 1/2"	1.000	M				TO ORDER AS CUT GOODS
22	6.388-153.0	Hose DN25	1.000	M				TO ORDER AS CUT GOODS
23	6.388-713.0	hose clip	1.000	ST	0000000000	0000000000	DN 40	AC. TO QUANTITY REQUIRED AND LENGTH OR SIZE OF YOUR INS
23	6.388-521.0	Hose clip	1.000	ST	0000000000	0000000000	DN 25	AC. TO QUANTITY REQUIRED AND LENGTH OR SIZE OF YOUR INS

121 Accessories

Professional \ Industrial cleaning systems \ High pressure cleaner stationary \ HD 4000 CH \ Spare parts list HD 4000E/4000C \ Accessories \ Accessories



POS	Preces Nr.	Apraksts	Skaitis	Vienība	Sērijas numurs no	Sērijas numurs līdz	Piezīme	Zemsvētras piezīme
24	6.362-146.0	O-Ring seal 36,0 X 2,0-NBR 70	1.000	ST	0000000000	0000000000		AC. TO QUANTITY REQUIRED AND LENGTH OR SIZE OF YOUR INS
25	7.386-125.0	Connection piece 15 -Ms DIN 7631	1.000	ST	0000000000	0000000000		AC. TO QUANTITY REQUIRED AND LENGTH OR SIZE OF YOUR INS
25	5.403-034.0	Double connection	1.000	ST	0000000000	0000000000	DN 10	AC. TO QUANTITY REQUIRED AND LENGTH OR SIZE OF YOUR INS
26	6.339-090.0	Rubber buffer D70X40	1.000	ST	0000000000	0000000000		AC. TO QUANTITY REQUIRED AND LENGTH OR SIZE OF YOUR INS
27	5.378-097.0	Spacer	1.000	ST	0000000000	0000000000		AC. TO QUANTITY REQUIRED AND LENGTH OR SIZE OF YOUR INS
28	7.312-005.0	Paplāksne 10-200HV- A3E ISO 7090	1.000	ST	0000000000	0000000000		AC. TO QUANTITY REQUIRED AND LENGTH OR SIZE OF YOUR INS
29	7.313-005.0	Spring washer B10-FSt- A3E DIN 127	1.000	ST	0000000000	0000000000		AC. TO QUANTITY REQUIRED AND LENGTH OR SIZE OF YOUR INS
30	7.304-415.0	Sešstūrgalvas skrūve M10x25-8.8-A3E ISO	1.000	ST	0000000000	0000000000		AC. TO QUANTITY REQUIRED AND LENGTH OR SIZE OF YOUR INS