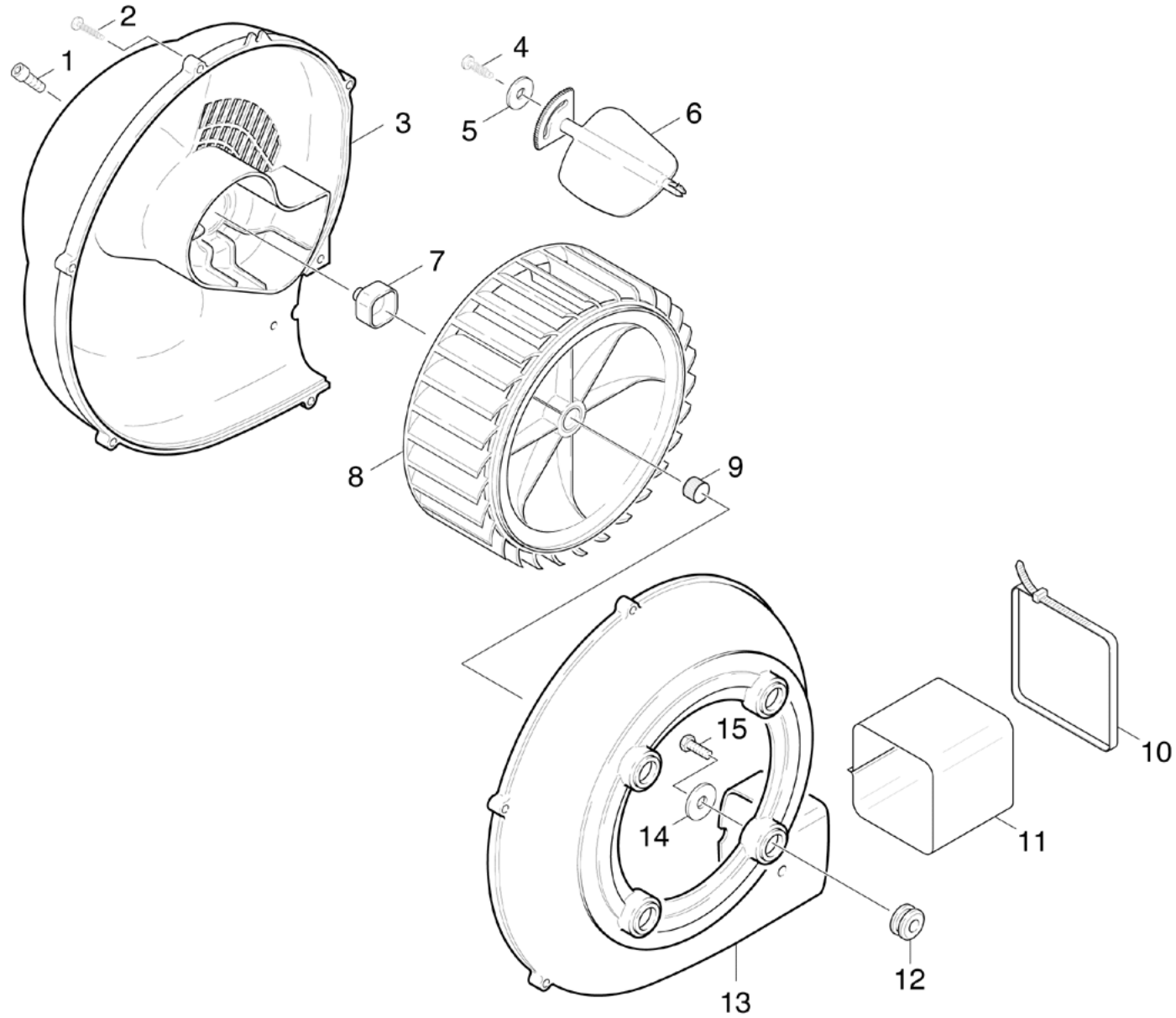


40 Blower

Professional \ High pressure cleaner hotwater \ Electric motor \ HDS 695 S *EU \ Spare parts list HDS 695 S \ Blower



40 Blower

Professional \ High pressure cleaner hotwater \ Electric motor \ HDS 695 S *EU \ Spare parts list HDS 695 S \ Blower

KÄRCHER

POS	Article no.	Description	Quantity	Unit
6	5.606-005.0	Air flap	1	PC
8	5.600-045.0	Blower wheel	1	PC
11	5.178-026.0	Cloth collar	1	PC
7	5.471-060.0	Coupling element	1	PC
3	5.063-457.0	Cover blower	1	PC
13	5.605-168.0	Housing blower	1	PC
12	5.379-019.0	Rubber ring	4	PC
2	7.303-084.0	Screw 4x25 -10.9-R2R (K-In6Rd)	6	PC
1	7.306-090.0	Screw M6x16 -8.8-P2R (In6Rd)	1	PC
15	7.303-048.0	Screw M6x20 -St-R3R (In6Rd)	4	PC
4	7.303-077.0	Sheet metal screw ST4,8X16-ST-R2R (IN6R	1	PC
10	6.388-608.0	Tightening strap	2	PC
9	6.343-027.0	Tolerance ring D17X16	1	PC
14	5.115-233.0	Washer	4	PC
5	7.312-278.0	Washer 5-200HV-A2E ISO7093-1	1	PC