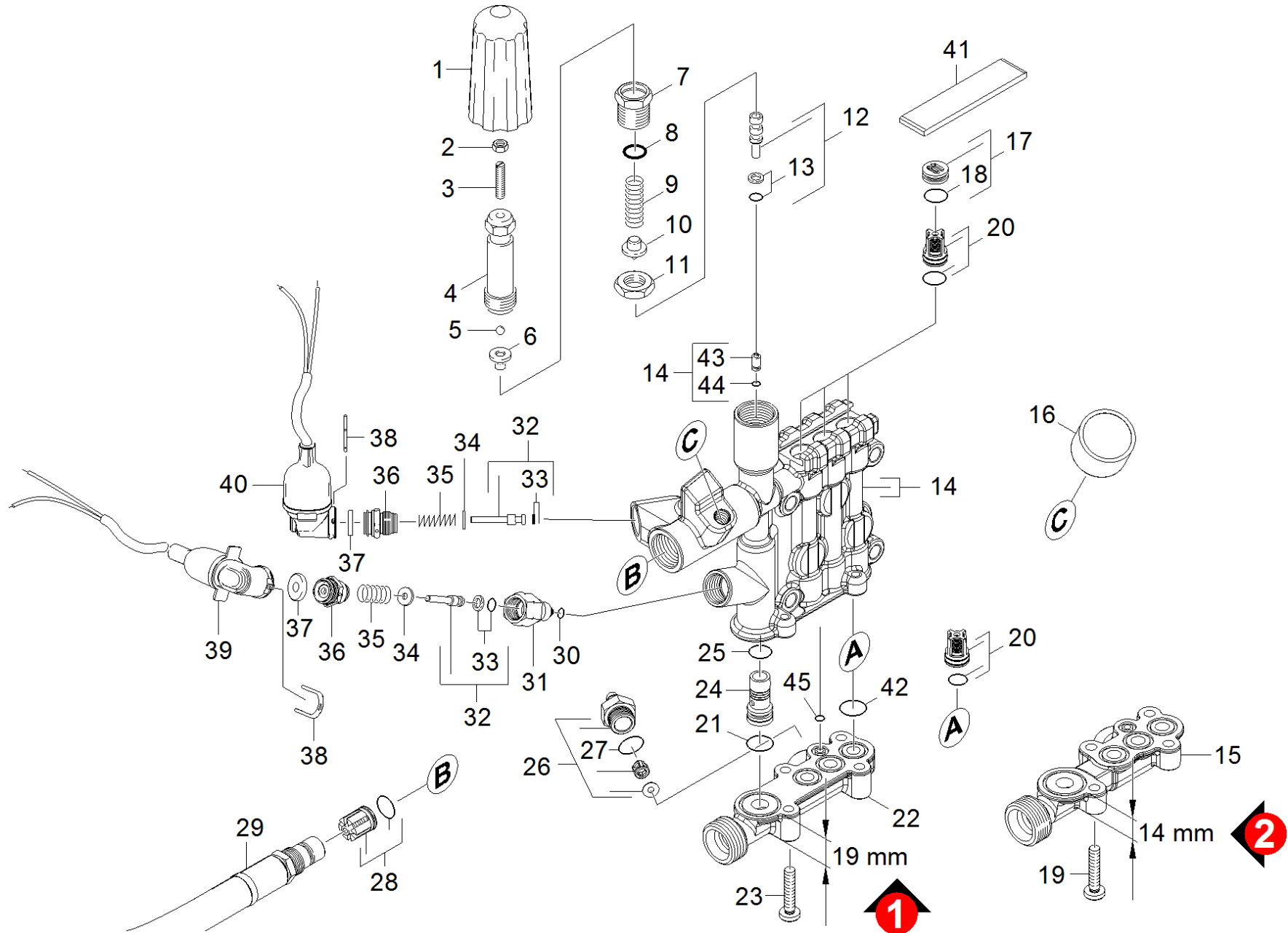


21 Cylinder head

Professional \ High pressure cleaner hotwater \ Electric motor \ HDS 7/16 C *EU-I \ Spare parts list HDS 7/16 C \ Pump set \ Cylinder head



21 Cylinder head

Professional \ High pressure cleaner hotwater \ Electric motor \ HDS 7/16 C *EU-I \ Spare parts list HDS 7/16 C \ Pump set \ Cylinder head



POS	Article no.	Description	Quantity	Unit	Foot note text
1	5.322-103.0	Handle	1	PC	
2	7.311-002.0	Hexagon nut M5 -6-A2E ISO 4032	1	PC	
3	7.307-017.0	Threaded pin M5x40 -St-45H-A2E ISO 4026	1	PC	
4	5.304-070.0	Hexagonal head screw	1	PC	
5	7.401-931.0	Sphere 5 KI3 -1.4401 DIN 5401	1	PC	
6	5.582-121.0	Valve disc	1	PC	
7	5.404-082.0	Hollow screw	1	PC	
8	6.362-079.0	O-Ring seal 18,0 X 2,5	1	PC	
9	5.332-444.0	Helical spring	1	PC	
10	5.584-114.0	Valve pin	1	PC	
11	7.311-204.0	Hexagon nut M10 -A4-035 ISO 4035	1	PC	
12	4.553-198.0	Piston complete only for replacement	1	PC	
13	6.362-468.0	O-Ring seal complete 1ST.-R.	1	PC	
14	4.550-996.0	Cylinder head complete only for replacem	1	PC	
15	5.427-469.0	Manifold water intake	1	PC	
16	4.422-991.0	Pressure gauge complete only for replace	1	PC	
17	4.132-007.0	Drain plug only for replacement	3	PC	
18	6.362-458.0	O-Ring seal 11,0x2,0-NBR 70	3	PC	
19	7.306-094.0	Screw M6x25 -8.8-R3R (In6Rd)	4	PC	
20	2.884-916.0	Valve (3 Stück)	2	PC	SET CONSITSTS OF 3X VALVE
21	6.363-536.0	O-Ring seal 21x1,5	1	PC	
22	5.427-438.0	Manifold water intake	1	PC	
23	7.306-105.0	Screw M6x30 -8.8-R3R (In6Rd)	4	PC	
24	5.100-640.0	Sleeve	1	PC	
25	6.362-381.0	O-Ring seal 13x2 - NBR 70	1	PC	
26	4.580-581.3	Valve complete	1	PC	
27	6.362-427.0	O-Ring seal 15,0x2,0	1	PC	
28	4.580-594.0	Valve complete	1	PC	
29	6.391-859.0	High pressure hose DN 13	1	PC	
30	6.362-853.0	O-Ring seal 4,47x1,78	1	PC	
31	5.402-705.3	Joining piece	1	PC	
32	4.553-197.0	Piston complete only for replacement	2	PC	
33	6.363-037.0	O-Ring seal complete 1ST.-R.	2	PC	

21 Cylinder head

Professional \ High pressure cleaner hotwater \ Electric motor \ HDS 7/16 C *EU-I \ Spare parts list HDS 7/16 C \ Pump set \ Cylinder head

KÄRCHER

POS	Article no.	Description	Quantity	Unit	Foot note text
34	5.115-796.0	Washer	2	PC	
35	5.332-268.0	Helical spring	2	PC	
36	5.411-148.0	Screw plug	2	PC	
37	5.367-030.0	Diaphragm	2	PC	
38	5.034-494.0	Retaining bracket	2	PC	
39	4.744-225.3	Switch complete	1	PC	
40	4.744-224.0	Switch complete	1	PC	
41	5.003-062.0	Plate	1	PC	
42	6.362-533.0	O-Ring seal 14,0 X 1,5-NBR 70	3	PC	
43	5.581-239.0	Valve seat	1	PC	
44	6.362-386.0	O-Ring seal 5,0 x 1,5-NBR 80	1	PC	
45	6.362-703.0	O-Ring seal 6,0x1,5-NBR 70	1	PC	
100	2.884-033.0	Pump set	1	PC	